

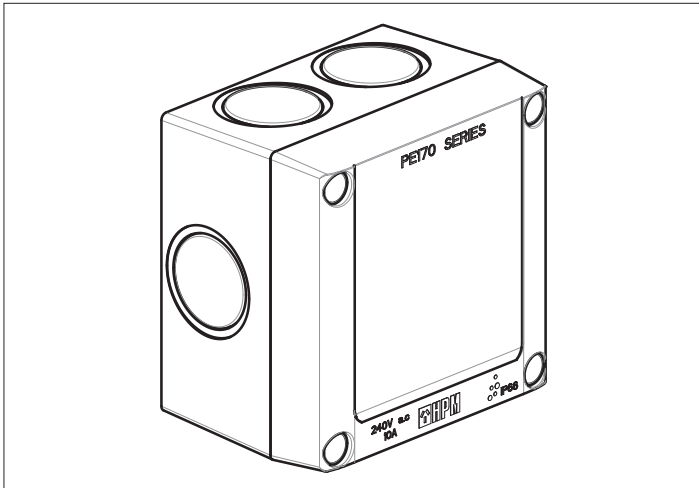


A brand of **legrand**

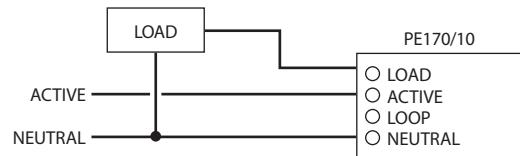
# Weatherproof Photo Electric Switch

Cat. PE170/10

## Instruction Manual



### Wiring



### Operation

- Load turns on at dusk (when the ambient light drops below approximately 5 lux).
- Load turns off at dawn (when the ambient light rises above approximately 10 lux).

### Technical characteristics

		Incandescent or halogen	High intensity discharge	Fluorescent tube	Wirewound transformer	Electronic transformer	Compact fluorescent	LED
+ 50°C + 0°C 230 - 240V a.c. 50Hz	3x2.5mm <sup>2</sup>							
<b>Max load</b>		<b>2400W</b>	<b>500VA</b>	<b>1500VA</b>	<b>1500VA</b>	<b>1000W</b>	<b>1000VA</b>	<b>1000W</b>

Weatherproof rating = IP56

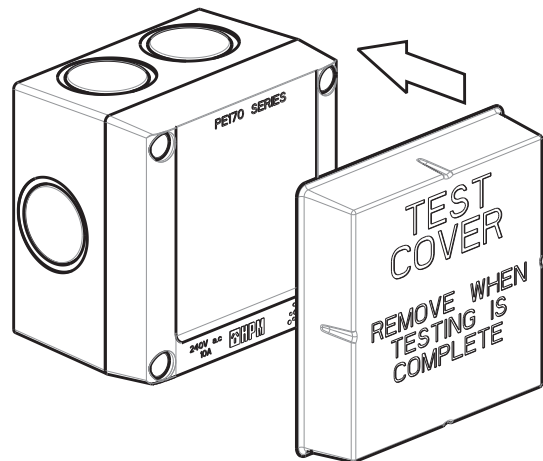
### Installation

- Mount the unit on a wall in an open position, preferably facing south to avoid direct sunshine and enhance service life.
- Don't mount unit in dark recesses where the natural change in daylight does not directly influence the photo electric sensor.
- Don't mount indoors – light through windows may not be the correct level for the photo electric sensor and the unit may not turn on and off as intended.
- Don't mount where other lights may shine on the photo electric sensor, as the unit may not turn on.
- Don't mount where the lights being controlled can shine on the photo electric sensor, as it may cause the unit to cycle on and off repeatedly.

### Important

- When the power is first applied to the unit, the load will turn on for approximately 30 seconds and then turn off.
- The unit has a time delay circuit so that it is not affected by sudden or brief changes in light level caused by intermittent cloud cover, reflections or vehicle lights. This time delay lasts for up to 3 minutes, both when switching on and when switching off. When testing the unit, be sure to take this time delay into account.

### Testing the Unit



- In daylight, cover the translucent front cover with the test cover provided.
- Wait for up to 3 minutes. The load should switch on.
- Remove the test cover.
- Wait for up to 3 minutes. The load should switch off.

## General Information

- This product must be installed and used as per these instructions.
- This product must be installed by a licensed electrician.
- Do not megger this product.
- This product must only be used with the loads specified. Other load types should only be used when written confirmation is given by HPM Legrand.
- An IP rating of IP56 is generally considered suitable for fully exposed external installations and for areas subject to hose down.
- The IP rating of this product is only valid when all applicable seals, glands and their appropriate cables are installed correctly. Silicone sealant or PVC cement should be used where necessary. Flush caps must be used to cover mounting screws.
- The IP rating of this product is only valid when installed on flat and non-porous surfaces. Additional sealing may be required for irregular surfaces.
- Severe electromagnetic interference from other products may cause malfunction of this product.
- This product should only be cleaned with a damp cloth. Cleaning agents and solvents should not be used.
- This product contains no serviceable parts and no attempt should be made to repair this product. If the product is faulty it should be discarded.
- Legrand reserves the right to modify the specifications of this product at any time.

## Warranty

Legrand will honour all statutory guarantees that you as a consumer are entitled to rely upon under the Australian and New Zealand Consumer Law against a manufacturer including a guarantee that any products Legrand has manufactured or imported are of acceptable quality.

To make a claim under any statutory guarantee (or other warranty) you should first contact the supplier, contractor or retailer from whom you purchased the products.

## Customer Service

For all Customer Service and Technical Support please call Monday to Friday during business hours.

Legrand Australia  
1300 369 777  
[www.hpm.com.au](http://www.hpm.com.au)

Legrand New Zealand  
0800 476 009  
[www.hpm.co.nz](http://www.hpm.co.nz)

ABN: 31 000 102 661