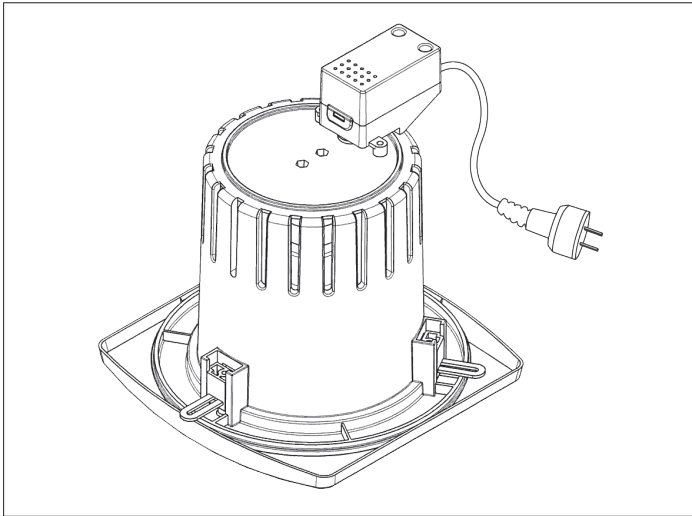




# Single Lamp Instant Heat

Cat. BH1WE / BH1MS

## Instruction Sheet



### 1 Rating

Supply voltage: 230-240Vac  
 Frequency: 50Hz  
 Max Power Consumption: 375W  
 (May be connected to a light or power circuit if loading permits.)

### 2 Please read carefully

Read through these instructions completely before commencing installation.

The HPM Single Lamp Instant Heat is designed for installation in the ceilings of toilets and bathrooms where heat is required. The appliance is fitted with a plug and lead for ease of installation. Two or more Instant Heats may be required for larger bathrooms.

The infrared lamps heat by direct radiation rather than by heating the air in the room, so the Instant Heat should be located directly over the drying area.

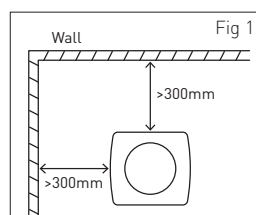
Instant Heat must not be installed where there is a possibility of water splashing on to the lamps. Locate in accordance with the requirements of the Australian/New Zealand Wiring Rules AS/NZS 3000 relating to damp situations. This means that no part may be located directly above any part of the bath or shower recess or enclosure. For unenclosed showers refer to Wiring Rules conditions.

A minimum volume of 1m<sup>3</sup> is required around each Instant Heat to prevent build-up of heat. Additional Instant Heats may be placed side-by-side if at least 1m clearance between them is observed.

**All wiring must be carried out by a licensed electrician.**

### 3 Location

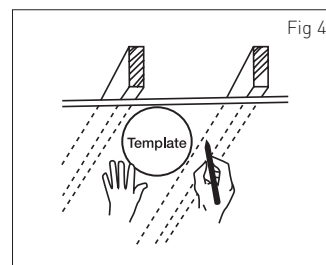
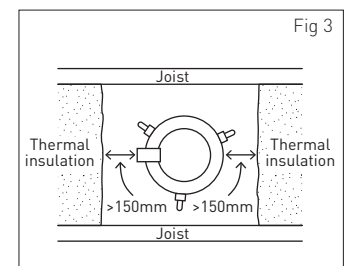
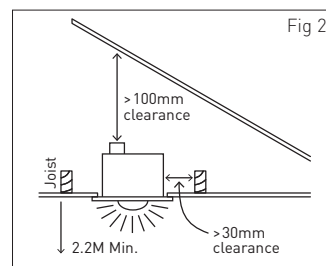
The Instant Heat is for ceiling mounting only, with the lowest point to be at least 2.2 metres above floor level. It is not intended to be installed in wardrobes or within 300mm of sides of walls, as per Figure 1. There is a danger of combustion if placed too close to curtains or other flammable materials.



### 4 Ceiling preparation and installation

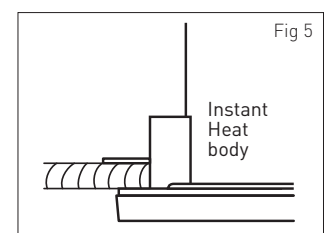
The clearances between Instant Heat and adjacent building members shown in Figure 2 shall be observed. Thermal insulation or similar material shall not be placed on top of the unit, and adjacent material to the side shall be kept clear to a minimum distance of 150mm (Fig 3).

Joists, beams and rafters shall not be cut or notched to install Instant Heat. After determining the location of Instant Heat use the template to mark out and cut the aperture (Fig 4).



### 5 Fixing to ceiling

Remove all packaging before installation. Remove fascia and lamp. Check that power to the circuit has been isolated before connecting plug to mains supply. Push the Instant Heat body into the opening, ensuring the retractable clips do not catch on the hole cutout. Once fully recessed, push in the 3 clips and use a screwdriver to tighten.



### 6 Final assembly

Refasten the fascia cover which is designed to snap onto the housing flange sitting flush against the ceiling. Insert the lamp into the socket, tightening well to ensure good electrical contact and long life. Wipe the fascia and the bulbs clean. Reconnect the power from the mains and test.

### 7 Wiring

The Instant Heat may be dimmed for variable heat output. The recommended dimmer is Excel Life Cat EM700TR.

Wall switches/controls should be located in a position that is not within reach of a person in the bath or shower.

## 8 Maintenance

### Cleaning:

1. Isolate the Instant Heat from the 240V supply. Ensure the lamp is cool to touch before handling.
2. Wipe lamps and fascia with care using a soft cloth soaked with a neutral detergent.

### Lamp Replacement:

1. Isolate the Instant Heat from the 240V supply. Ensure the lamp is cool to touch before handling.
2. Replace heat lamp with HPM Cat No: L275HLES (275W) or L375HLES (375W)

## 9 Specifications

Supply voltage	230-240V ac 50Hz	
Max power rating	375W	
Ceiling cut-out:	Ø175mm	
Projection into ceiling:	200mm	
Required ceiling depth	>300mm	
Fascia	Size:	210 x 210mm
	Protrusion (excl. lamp):	20mm
Thermal overload protection:	100°C	
Cord length:	1500mm	
Weight: (excl. packaging)	950g	

## 10 Parts supplied

Instant Heat	1 piece
Infra-red heat lamp (275W)	1 piece
Ceiling cut-out template	1 piece

## 11 Warning

1. Use the Instant Heat only as described in this instruction. Other use not recommended by HPM Legrand may cause fire or electric shock.
2. This appliance is not intended for use by persons (including children) with reduced physical, sensory or mental capabilities, or lack of experience and knowledge, unless they have been given supervision or instruction concerning use of the appliance by a person responsible for their safety. Children should be supervised to ensure that they do not play with the appliance.
3. This product contains no serviceable parts and no attempt should be made to repair this product. If the product is faulty it should be discarded.
4. If the supply cord is damaged it must be replaced by HPM Legrand, it's service agent or a similarly qualified person in order to avoid a hazard.
5. This product must be cleaned periodically from dust and other contaminants with a damp cloth. Cleaning agents and solvents should never be used.
6. This product should not be enclosed in thermal insulation as it may cause the unit to overheat.
7. This product is not suitable for installation in hazardous and/or corrosive areas.
8. This product has been designed for domestic or similar uses and is not suitable for a commercial installation.
9. This product utilises intellectual property in the form of registered designs, trademarks, and/or patents. Such intellectual property remains the property of HPM Legrand in all cases.
10. HPM Legrand reserves the right to modify the specification of this product at any time.

## 12 Troubleshooting

This heater is fitted with a thermal cut-out to provide over-temperature protection. If the lamp begins to switch ON/OFF intermittently during operation this indicates that there may be a problem with the installation. To rectify please check that distances from thermal insulation and building elements are being maintained. It may be necessary to replace the 375W lamp with a 275W lamp (if not already fitted).

## Warranty

HPM Legrand warrants the following on the Instant Heat from the date of purchase:

- 5-year warranty on materials and workmanship (excluding heat lamp).
- 2-year warranty on heat lamp.

These goods come with guarantees that cannot be excluded under the Australian and New Zealand Consumer Laws. You are entitled to a replacement or a refund for a major failure and for compensation for any other reasonably foreseeable loss or damage. You are also entitled to have the goods repaired if the goods fail to be of acceptable quality and the failure does not amount to a major failure.

See the Warranty card enclosed with this product for further details.

## Customer Service

For all Customer Service and Technical Support please call Monday to Friday during business hours.

HPM Legrand Australia  
1300 369 777  
www.hpm.com.au

HPM Legrand New Zealand  
0800 476 00  
www.hpm.co.nz

ABN: 31 000 102 661

A Group brand 