

6 What's in the box

	BH2D	BH4D
Housing	1 piece	1 piece
Infrared Heat Lamps (275W)	2 pieces	4 pieces
Light globe (11W CFL)	1 piece	1 piece
Instructions	1 piece	1 piece
Warranty card	1 piece	1 piece
Hole-cutting template	1 piece	1 piece
Ducting (3m x Ø150mm)	1 piece	1 piece
Duct holder	1 piece	1 piece
External grille	1 piece	1 piece
Wall switch plate	1 set	1 set
Duct tape and cable ties	1 set	1 set

7 Disclaimers

- I. Use the Instant Heat only as described in this instruction.
- II. A switch disconnection must be incorporated in the fixed wiring in accordance with the wiring rules.
- III. This appliance is not intended for use by persons (including children) with reduced physical, sensory or mental capabilities, or lack of experience and knowledge, unless they have been given supervision or instruction concerning use of the appliance by a person responsible for their safety. Children should be supervised to ensure that they do not play with the appliance.
- IV. This appliance is intended for household use and similar purposes. It is not suitable for use in an environment heavily laden with dust. Under these conditions the life of the fan motor can be significantly reduced.
- V. This product contains no serviceable parts and no attempt should be made to repair this product. If the product is faulty it should be discarded.
- VI. This product must be cleaned periodically from dust and other contaminants with a damp cloth. Aggressive cleaning agents and solvents should never be used.
- VII. Airflows listed in this instruction sheet indicate the product performance. Refer to the BCA (Building Code of Australia), or similar, for the appropriate airflow required for a particular installation.
- VIII. Ventilation products must have an adequate source of external air to ensure correct performance.
- IX. This product should not be enclosed in thermal insulation as it may cause the unit to overheat.
- X. This product has been designed for domestic or similar uses and is not suitable for a commercial installation.
- XI. This product utilises intellectual property in the form of registered designs, trademarks, and/or patents. Such intellectual property remains the property of HPM Legrand in all cases.
- XII. HPM Legrand reserves the right to modify the specification of this product at any time.

8 Trouble shooting

This Instant Heat is fitted with a thermal cut-out to provide over-temperature protection. If the heat lamps begin to switch ON/OFF intermittently this may indicate the unit was wired incorrectly, allowing the lamps to operate without the fan running. To rectify please check your installation.

Warranty

HPM Legrand warrants the following on the Instant Heat from the date of purchase:

- 5-year warranty on materials and workmanship (excluding heat lamps and centre light).
- 2-year warranty on heat lamps and centre light. These goods come with guarantees that cannot be excluded under the Australian and New Zealand Consumer Laws. You are entitled to a replacement or a refund for a major failure and for compensation for any other reasonably foreseeable loss or damage. You are also entitled to have the goods repaired if the goods fail to be acceptable quality and the failure does not amount to a major failure.

See the Warranty card enclosed with this product for further details.

Customer Service

For all Customer Service and Technical Support please call Monday to Friday during business hours.

HPM Legrand Australia
1300 369 777
www.hpm.com.au

HPM Legrand New Zealand
0800 476 009
www.hpm.co.nz

ABN: 31 000 102 661

A Group brand |  Legrand

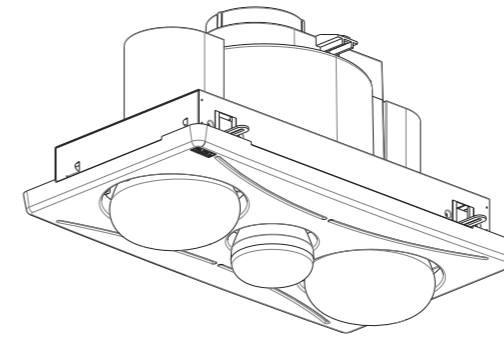


Ducted Instant Heat 3-in-1

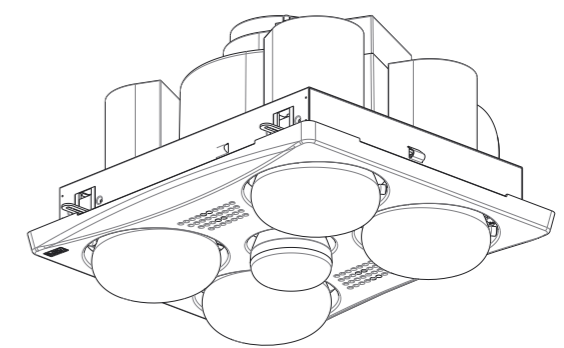
2 Heat Lamp model: BH2DWE

4 Heat Lamp model: BH4DWE

Instruction Sheet



BH2D



BH4D

The Ducted Instant Heat 3-in-1 are ceiling mounted heat lamp appliances combining the functions of heater, extraction fan and luminaire.

1 Rating

Model:	BH2D	BH4D
Supply voltage:	230-240Vac	230-240Vac
Frequency:	50Hz	50Hz
Max Power Consumption:	840W	1570W

2 Please read carefully

Read through these instructions completely before commencing installation. Retain for future use. This product shall be installed by a licensed electrical contractor or similarly qualified person.

CAUTION:

Regulations concerning the discharge of air must be fulfilled. Local building codes may require venting to the outside. The Instant Heat is for ceiling mounting only, with the lowest point to be at least 2.2 metres above floor level. It is not intended to be installed in wardrobes or within 300mm of walls. Please note there is a danger of combustion if placed too close to curtains or other flammable materials. Under no circumstances must the Instant Heat be covered with insulating material within the ceiling space.

Instant Heat must not be installed where there is a possibility of water splashing on to the lamps. Locate in accordance with the requirements of the Wiring Rules AS/NZS 3000 relating to damp situations. This means that no part may be located directly above any part of the bath or shower recess or enclosure. For unenclosed showers refer to the Wiring Rules conditions.

Note: Steam will only be removed if there is sufficient flow of air through the room. Ensure adequate inlet openings in the room are provided, for example through windows, vents or under the door. Air-flow paths from room inlets to fan should ideally pass over surfaces where condensation may form.

3 Installation

Remove all packaging from the product before commencing installation. Ensure the circuit has been isolated from the 240V mains before commencing work.

I. Cutting a vent

Cut out a 150mm diameter hole in the external wall or eave.

II. Ducting

Fix ducting to external grille with duct tape provided. Refer to Fig A. Mount grille on wall and seal any gaps around grille where necessary.

III. Locating the Instant Heat

Ensure the Instant Heat is installed at least 2.2m above floor level.

IV. Preparation of the ceiling

Before cutting out the hole consider the orientation of the Instant heat and the position of the duct outlet. To ensure maximum performance the following points should be observed:

- minimise the number of bends in the ducting.
- level of the outlet grille should be at the level of the outlet duct.
- ducting should not be squashed.
- avoid sagging of the ducting to prevent water accumulating.

Using the ceiling cut-out template provided, mark the ceiling with a pencil outline and cut out a hole at the chosen area. In the cut out made mark the position of the duct holder (see template). Make sure the distance between the edges and wall is not less than 300mm. Refer to Fig B.

V. Required Clearances

Within the ceiling cavity there should be a minimum recess depth of 300mm to the roof. Thermal insulation or similar material shall not be placed on top of the instant heat, and adjacent material shall be kept clear to a minimum distance of 150mm. Joists, beams and rafters shall not be cut or notched to install the Instant Heat. Refer to Fig C.

VI. In-house duct connection

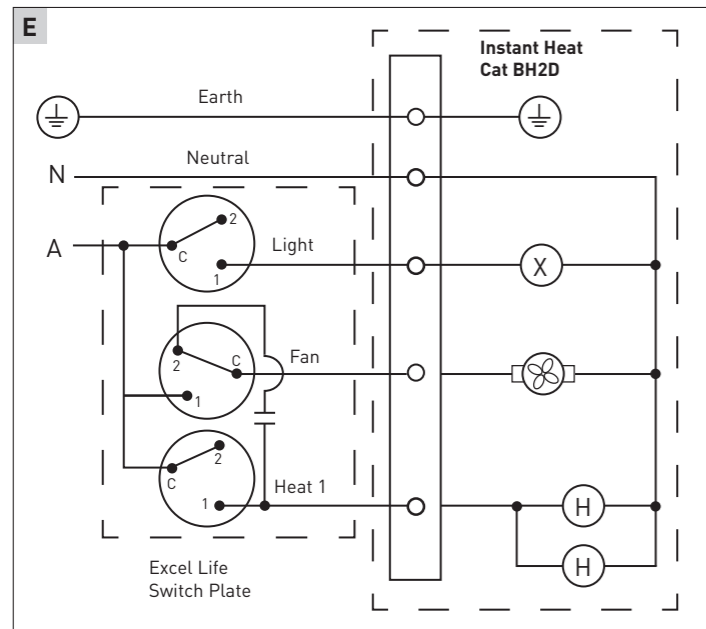
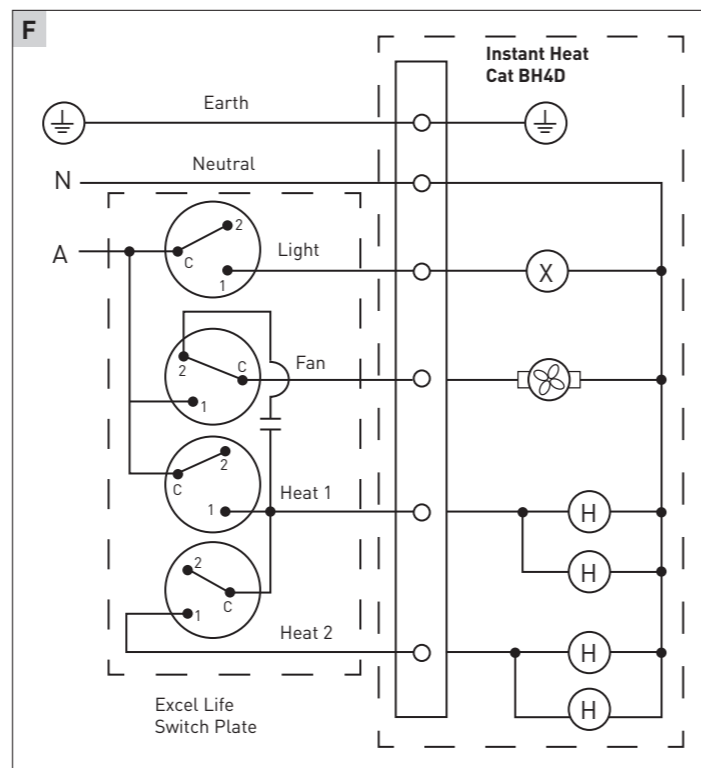
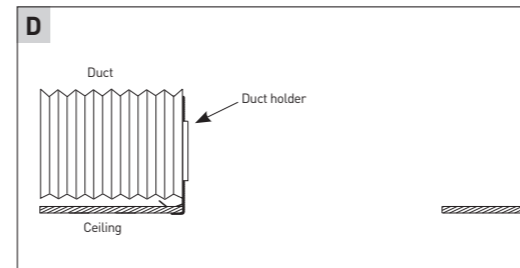
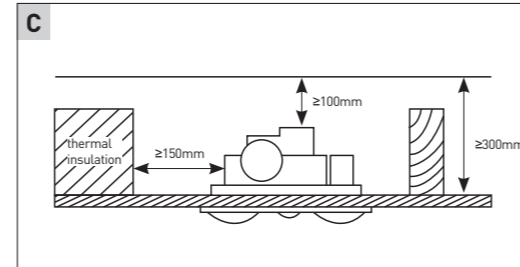
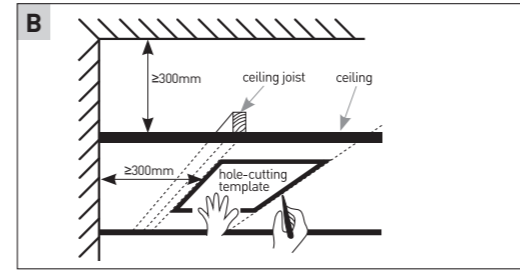
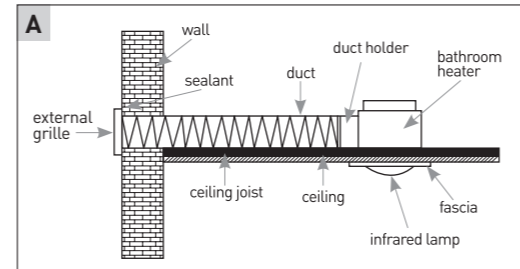
Remove the duct holder from the Instant Heat and fit to end of ducting with cable tie. Clip the duct holder to the ceiling at the marked position. Refer to Fig D.

VII. Remove the fascia

Remove all lamps from the unit. Remove the fascia.

VIII. Wiring

An Excel Life wall switch plate is provided with this product. When choosing a location ensure the wall plate is not within arm's reach or accessible to a person in a bath or shower. Follow the wiring diagram shown in Fig E or Fig F as applicable.



Once the wiring connection has been made to the Instant Heat, use a cable tie to fix the cabling to the tie point to prevent contact with the hot metal housing. Refer to Fig G.

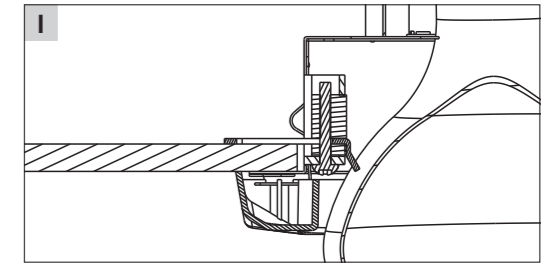
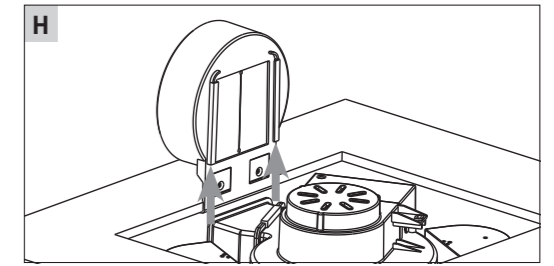
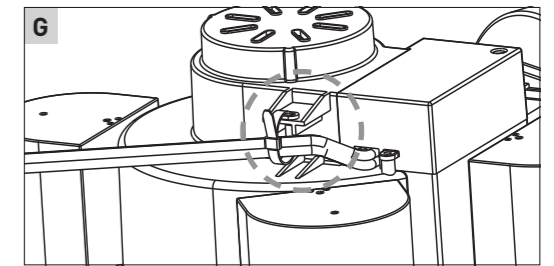
IX. Insertion in to cavity

Aligning the Instant Heat with the duct holder, carefully slide the unit in to the cavity. Ensure the guides in the Instant Heat body engage with the slots in the duct holder. Ensure the 4 retractable clips do not catch in the hole cut-out. Refer to Fig H.

X. Once the unit is fully recessed, push out the clips and use a screwdriver to tighten. Refer to Fig I.

XI. Final Installation

1. Replace the fascia and lamps. Fix the switch plate to the wall.
2. Reconnect power from the mains supply and test for correct operation.
3. Test airflow by holding a piece of tissue paper near to the centre light.



4 Maintenance

Cleaning

Instant Heat should be cleaned every 6 months or more often to prevent dust build-up.

1. Disconnect power to Instant Heat before cleaning.
2. Wipe lamps and fascia with care using a soft cloth soaked with neutral detergent. Ensure lamps are cool to touch before handling.

Replacement parts

Disconnect power to Instant Heat before lamp replacement.

Replacement lamps:

- Heat Lamp: L275HLES (275W)
L375HLES (375W)
Centre light: LR80014K or E27 R80 60W max
Switch wall plate: ED770/3FLHWE (for BH2D)
ED770/4FLHHWE (for BH4D)

5 Specifications

Model:	BH2D	BH4D
Supply voltage:	230-240V ac 50Hz	
Max. power rating:	840W max	1570W max
Airflow#:	180m ³ /hr max	
Ceiling cut-out:	205 x 395mm	295 x 355mm
Projection into ceiling:	205mm	
Required ceiling depth:	300mm	
Fascia	size	440 x 250mm
	Protrusion (excl. lamps)	23mm
Heat lamps provided:	2 x 275W	4 x 275W
Thermal overload protection:	100°C	
Draught stopper:	Yes	
Centre Light provided:	11W CFL	
Weight (excl packaging):	4.3kg	5.2kg

- measured with 3m Φ150mm ducting.

Note - airflow will be reduced with bends in duct, squashing of duct, restrictions on replacement air entering the room to be ventilated, or pressure-differentials between the room and outside air.