

Data Sheet

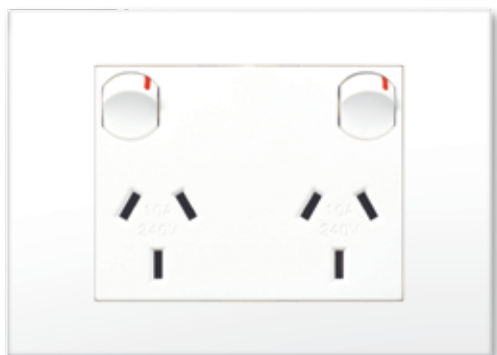
VIVO™

Double Powerpoint, 10A

CAT NO. EV777WE, EV777GR



A brand of legrand®



EV777WE



EV777GR

Cat No.	EV777WE	EV777GR
Description	Vivo™ Double Powerpoint, 10A	
Supply voltage	230 - 240V a.c.	
Current rating	10A	
Colour	White (WE)	Dark Grey (GR)
Plate size (W x H x D)	119 x 85 x 10mm	
Mounting centres	84mm	
Compliance	AS/NZS 3112	

VIVO™

Double Powerpoint, 10A

CAT NO. **EV777WE, EV777GR**



A brand of **legrand**



EV777WE



EV777GR

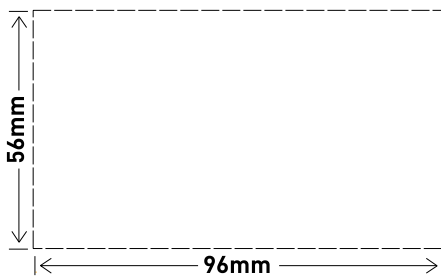
- Small footprint (fits 2 x Ø40mm cut-outs)
- Internal safety shutters for extra safety
- Captive terminal screws
- Carburised steel and deep head screws
- Angled terminal screws for ease of use with power tools
- Funnel shape cable terminals
- Raised insulated barriers on terminals
- Elongated oblong mounting holes for better levelling

Single product (Qty 1)	
Cat No.	Barcode
EV777WE	9321001465232
EV777GR	9321001465324

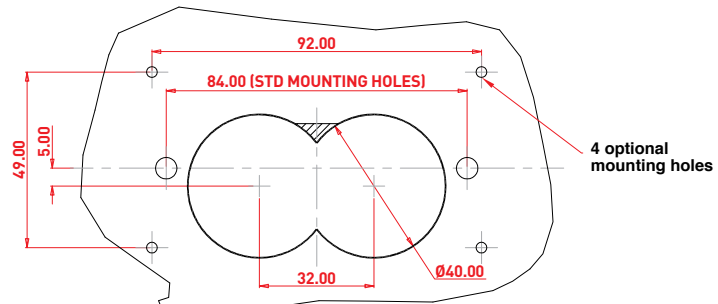
Inner box (Qty 10)		
Cat No.	Barcode	Dimensions (W x H x D)
EV777WE	9321001466499	163 x 174 x 124mm
EV777GR	9321001466574	163 x 174 x 124mm

Outer box (Qty 120)		
Cat No.	Barcode	Dimensions (W x H x D)
EV777WE	9321001467748	387 x 272 x 515mm
EV777GR	9321001467823	387 x 272 x 515mm

Glass and tile cut-out dimensions:



Timber cut-out dimensions:



Legrand Australia
1300 369 777
www.hpm.com.au
ABN 31 000 102 661

Refer to your group buying office, Legrand Sales Representative or Legrand Sales Office for pricing.

Legrand New Zealand
0800 476 009
www.hpm.co.nz

Please note: specifications are subject to change without prior notice.