

Data Sheet

VIVO™

Switch Mechanism, Electronic Push-Button, 5A,
White

CAT NO. **EVM883WE**



A brand of **legrand**



Cat No.	EVM883WE
Description	Vivo™ Switch Mechanism, Electronic Push Button, 5A
Supply voltage	230-240V a.c.
Current rating	5A
Colour	White (WE)
Compliance	AS/NZS 3100
Dimensions (W x H x D)	21 x 21 x 41mm

VIVO™

Switch Mechanism, Electronic Push-Button, 5A, White

CAT NO. **EVM883WE**



A brand of **legrand**

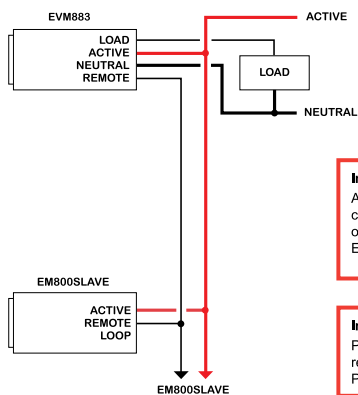


- Soft touch electronic switch - 3 wire
- Programmable LED indicator (red or blue)
- LED indicator can be off or dimmed when lighting is not activated
- 2 way switching available with slave mechanism (EM800SLAVE)
- 5A load capacity

Single product (Qty 1)	
Cat No.	Barcode
EVM883WE	9321001469124

Inner box (Qty 10)		
Cat No.	Barcode	Dimensions (W x H x D)
EVM883WE	9321001469186	200 x 130 x 70mm

Outer box (Qty 120)		
Cat No.	Barcode	Dimensions (W x H x D)
EVM883WE	9321001469247	487 x 235 x 325mm



Important:
An unlimited number of EM800SLAVE can be connected to an EVM883. However, the total length of the remote wire used to interconnect all of the EM800SLAVE should not exceed 50 metres.

Important:
Power factor correction capacitors must be either removed or placed on the line side of the Electronic Push Switch.

Legrand Australia
1300 369 777
www.hpm.com.au
ABN 31 000 102 661

Legrand New Zealand
0800 476 009
www.hpm.co.nz

Refer to your group buying office, Legrand Sales Representative or Legrand Sales Office for pricing.

Please note: specifications are subject to change without prior notice.