

Data Sheet

VIVO™

Wireless Charging Station for Furniture, 1A

CAT NO. EVWPADMS



A brand of legrand®



EVWPADMS

Cat no.	EVWPADMS
Description	Wireless Charging Station for Furniture, 1A
Nominal input voltage	230V a.c.
Nominal output voltage	5V d.c.
Frequency	50-60 Hz
Maximum input current	150 mA
Maximum output current	1000 mA
Standby consumption	< 0.07W
Energy efficiency	> 85%
Protection class	II - Low voltage
IP rating	43 (lower part) / 44 (upper part)
IK rating	08
Dimensions	Ø 87 x 18 (D) mm
Operating temperature	0° to + 45°
Compliance	Ⓢ WPC Qi EN62479
Box contents	1 x Wireless charging pad 1 x 2.5 metres cable (Micro USB/Type A) 1 x supply adaptor 2 x adhesive bases 2 x cable ties

VIVO™

Wireless Charging Station for Furniture, 1A

CAT NO. EVWPADMS



A brand of **legrand**



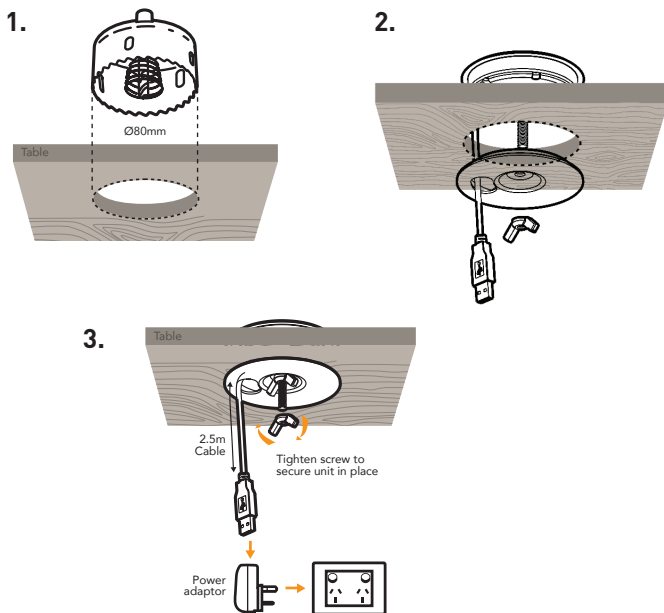
EVWPADMS

Single product (Qty 1)		
Cat No	Barcode	Dimensions (W x H x D)
EVWPADMS	9321001474531	83 x 230 x 55mm

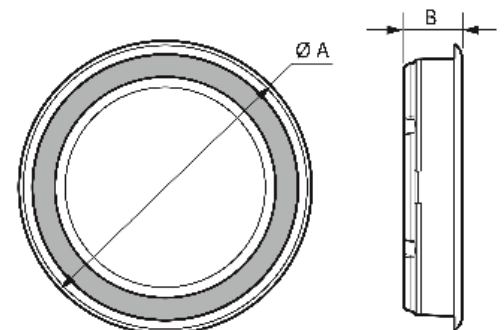
Outer box		
Cat No	Barcode	Dimensions (W x H x D)
EVWPADMS	9321001474609	575 x 275 x 200mm

- Seamless integration in furniture or desk tops
- Φ Certified (World Power Consortium): compatible with all latest Apple devices (Iphone 8/8+ and X)
- 1A Charging capacity
- Surface with non-slip coating to hold device in place safely during charging
- No interference with other signals (Zigbee, GSM, 4G, etc)
- Halogen-free / UV resistant

Mounting instructions



Dimensions (mm)



Ø A	B
87	18

Legrand - AUS
1300 369 777
www.hpm.com.au
ABN 31 000 102 661

Legrand - NZ
0800 476 009
www.hpm.co.nz

Refer to your group buying office, Legrand Sales Representative or Legrand Sales Office for pricing.