



A brand of  legrand®

# LED LIGHTING



BRIGHT  
STYLISH  
EFFICIENT

2018 - EDITION 5



# CONTENTS

<b>LED LIGHTING EXPLAINED</b>	4
<b>LED LIGHTING FIXTURES</b>	6
<b>INDOOR</b>	
DOWNLIGHTS	8
PANEL LIGHTS	28
OYSTER LIGHTS	30
SPOTLIGHTS	36
PENDANT LIGHTS	38
UP/DOWN LIGHTS	42
STRIP LIGHTS	46
BATTENS	48
<b>OUTDOOR</b>	
DECK LIGHTS	54
STEP LIGHTS	56
STARLIGHTS	58
UP/DOWN LIGHTS	60
ADJUSTABLE LIGHTS	70
BUNKER LIGHTS	76
FLOODLIGHTS	84
WORKLIGHTS	100
<b>DIMMERS AND LED COMPATIBILITY</b>	102
<b>DOWNLIGHT ACCESSORIES</b>	104
<b>LIGHTING SENSORS</b>	104
<b>INDEX OF PROTECTION</b>	105
<b>LED LIGHTING GLOBES</b>	106
<b>LED GARDEN LIGHTING</b>	120
BENEFITS	122
SPOTLIGHTS	124
POND SPOTLIGHTS	136
BOLLARDS	140
WALL & STEP LIGHTS	144
DECK LIGHTS	150
TRANSFORMERS	154
CABLE & TRANSFORMER CONFIGURATION CHART	158
CABLES	160
ACCESSORIES	162

# LED LIGHTING EXPLAINED

## LIGHT COLOUR

Expressed in Degrees Kelvin (K), light colours are the key to determining the mood of a room.

<b>WARM WHITE</b>	DEGREES	2700-3000K
	DESCRIPTION	<b>SOFTER, WARMER LIGHT</b> Comparable to traditional incandescent lighting. Preferred in cooler climates
	ROOM	Bedroom, living room, bathroom, kitchen
<b>COOL WHITE</b>	DEGREES	4000K
	DESCRIPTION	<b>NEUTRAL LIGHT</b> Used for task lighting and preferred in warmer, tropical climates
	ROOM	Laundry, garage, study, bathroom, kitchen

## AVERAGE LAMP LIFE

LED 30,000 HOURS	COMPACT FLUORESCENT 10,000 HOURS	INCANDESCENT 1,000 HOURS
------------------	----------------------------------	--------------------------

**DURABILITY:** LEDs are very long-lasting compared to other lighting technologies, with an average 30,000 hours life expectancy. We use quality components which make our lamps even more durable, being laboratory tested and assessed at 30,000 hours life expectancy. That represents approximately 20 years based on 3 to 4 hours usage per day.

## DIMMING COMPATIBILITY

Critical to a successful installation is an understanding of LED compatibility with dimmers.

HPM is one of the only major brands on the market to deliver a full solution from dimmers to drivers and LED fixtures. Choose the winning combination of HPM LED fixtures and HPM or Legrand dimmers to ensure superior performance – including smooth dimming with no flickering, reliability and long life.



## LIGHT PERFORMANCE

LIGHT OUTPUT	INCANDESCENT	HALOGEN	CFL	LED
220 lm	25W	18W	5-7W	3W
420 lm	40W	28W	7-8W	4-5W
720 lm	60W	42W	11-12W	6-8W
930 lm	75W	52W	13-18W	9-13W
1300 lm	100W	70W	18-23W	16-20W

## LUMINOUS EFFICACY (lm/W)

Picking a lamp fixture based only on wattage or physical size could result in the wrong choice: Wattage (measured in W) represents the power consumed by the luminaire. The actual output of a lamp is measured in lumens (lm): the more lumens, the more light emitted by the luminaire. A smart criteria for determining the efficiency of a light fixture is its lumens/Watt ratio, which represents how much light the fixture delivers versus what it consumes to perform. This value is called luminous efficacy, and proves LED lights are more efficient than other light technologies.

## COLOUR RENDERING INDEX (CRI)

CRI measures how well a lamp makes colours appear. CRI scores light sources from 1 – 100: a high CRI means that the eye can pick up slight variations in colour, making details in an interior appear sharper and more vibrant. For outstanding colour rendering, opt for our Dalia series which boasts a very high 92 index.

Our downlights range from 80 to 92, to enhance skin tones, hues and textures in rooms.

## BEAM ANGLE

The light effect from a luminaire is determined by its beam angle. That is the shape and direction of light generated by the lamp. Most conventional fixtures deliver a focused light distribution at 35-60° beam angle, but LED technology can go well above those values, while still maintaining a fair pool of light.

Our lights deliver beam angles ranging from 80 to 120° to ensure a beautiful light is spread throughout a room.

## OUR QUALITY PROMISE



### DIMMING COMPATIBILITY

Many of our lights are capable of being dimmed effectively. For optimum dimming performance and to reduce flickering, use HPM or Legrand dimmers. See pages 102-103 for more details.



### INSULATION RATING

All recessed luminaires included in this brochure have an insulation rating of IC, IC-F, IC-4, CA80 and CA90. This means insulation may abut or cover the LED luminaire.



### NATA ACCREDITED LABORATORY

To ensure the highest possible quality assurance standards all HPM lighting fixtures and lamps are tested in our NATA accredited laboratory in Sydney.



### IP RATING

All our products are assured against insects and moisture, with IP ratings ranging from IP42 to IP65. See IP chart on page 105 for more information.

# LED LIGHTING FIXTURES



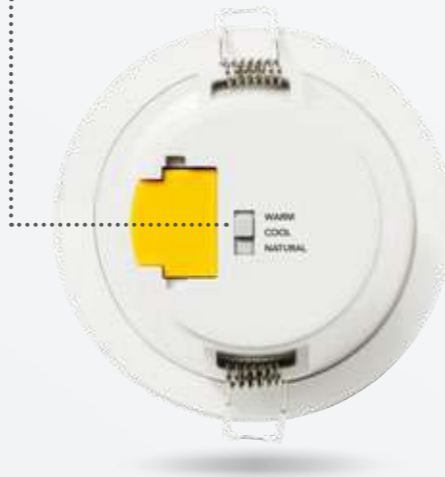
**NEW**

# DLI DOWNLIGHT WITH LIGHT COLOUR SELECTOR SWITCH (7W - 10W)

The functional design and classic finish of the DLI adds a touch of contemporary lighting. The DLI is ideal for all rooms in the house. At only 7W to 10W the DLI with colour changing switch delivers one product with three colours - Warm White, Cool White and Natural White.



**TIP**  
Light Colour Selector



**TIP**  
Recessed diffuser reduces glare



DLI90 SERIES



DLI110 SERIES



DLI150 SERIES

UP TO  
**1100**  
LUMENS

IC-4  
INSULATION RATING

IC-F  
ABUTTED &  
COVERED

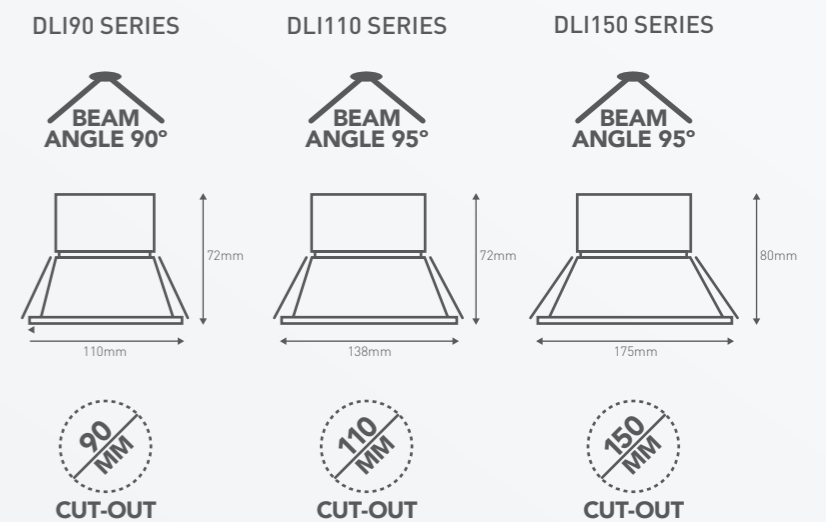
IP44  
WEATHERPROOF

Dimmable  
built-in  
driver

3 YEAR  
WARRANTY

Power	7W	7W	10W	
Lumen output	<b>90mm</b>	<b>110mm</b>	<b>150mm</b>	
	Warm White	680 lm	690 lm	1000 lm
	Cool White	730 lm	740 lm	1100 lm
	Natural White	680 lm	690 lm	1000 lm
Efficacy	<b>90mm</b>	<b>110mm</b>	<b>150mm</b>	
	Warm White	97 lm/W	98 lm/W	100 lm/W
	Cool White	104 lm/W	104 lm/W	110 lm/W
	Natural White	97 lm/W	98 lm/W	100 lm/W
Colour temperature	Warm White		3,000K	
	Cool White		4,000K	
CRI	80+			
Insulation rating	IC-4 and IC-F			
Dimming	Trailing edge dimmers			
Lifespan	35,000 h			
Package contents	7W to 10W dimmable downlight with integrated driver. Supplied with flex and plug			

Product codes	Ø90mm cut-out	Ø110mm cut-out	Ø150mm cut-out
	White Fascia	White Fascia	White Fascia
	Warm White, Cool White and Natural White Light	Warm White, Cool White and Natural White Light	Warm White, Cool White and Natural White Light
	<b>DLI90TRIWE</b>	<b>DLI110TRIWE</b>	<b>DLI150TRIWE</b>



# DLI TILT DOWNLIGHT 7W

**NEW**

The same classic and contemporary downlight, but with an adjustable head, the DLI TILT Downlight is dimmable, available in a warm white, and is perfect for enhancing walls or feature items in the home by simply tilting the downlight towards the desired object.



**Main applications**

Living areas, bedrooms, bathrooms, & undercover outdoor areas



**TIP**

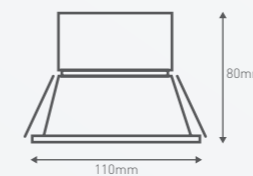
Adjustable head - 30° angle  
Ideal for sloped ceilings

DLI90 SERIES

<b>Power</b>	7W	
<b>Lumen output</b>	<b>90mm</b>	
	Warm White	720 lm
	Cool White	760 lm
<b>Efficacy</b>	<b>90mm</b>	
	Warm White	100 lm/W
	Cool White	108 lm/W
<b>Colour temperature</b>	Warm White	3,000K
	Cool White	4,000K
<b>CRI</b>	80+	
<b>Insulation rating</b>	IC	
<b>Dimming</b>	Trailing edge dimmers	
<b>Lifespan</b>	35,000 h	
<b>Package contents</b>	7W dimmable downlight with integrated driver. Supplied with flex and plug	
<b>Product codes</b>	<b>Ø90mm cut-out</b>	
	White Fascia	
	Warm White Light	<b>DLI903KTILTWE</b>
	Cool White Light	<b>DLI904KTILTWE</b>



**DLI90 SERIES**

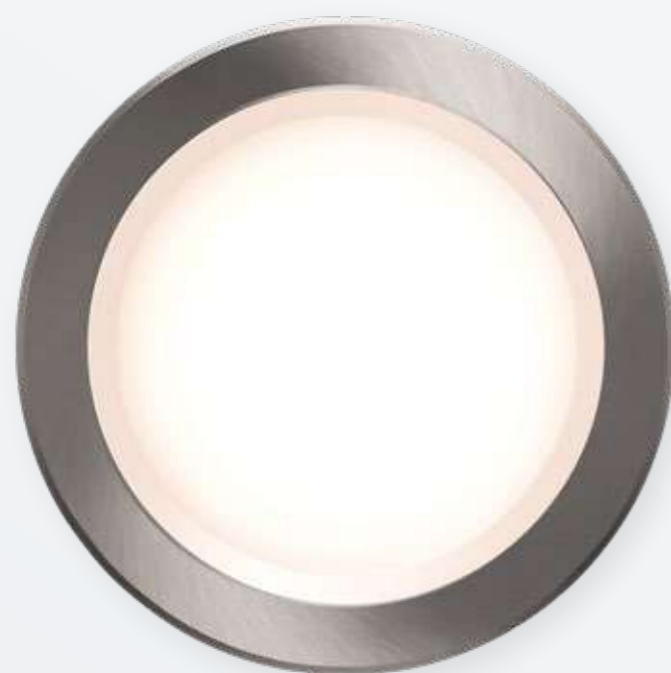


**ADJUSTABLE HEAD ANGLE 30°**



**DLI** DOWNLIGHT SERIES (5W TO 7W)

The functional design and classic finish of the DLI adds a touch of contemporary lighting. The DLI is ideal for all rooms in the house. At only 5W to 7W the DLI delivers maximum brightness with limited power consumption.



**Main applications**  
Living areas, bedrooms, bathrooms,  
& undercover outdoor areas

**TIP**  
Sleek, shiny black finish adds sophistication



DLI70 SERIES



DLI90 SERIES

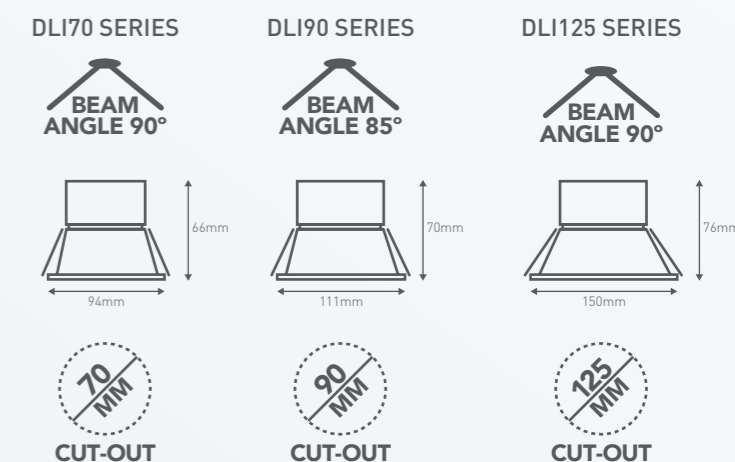


DLI125 SERIES

- UP TO 820 LUMENS
- IC-4 INSULATION RATING
- IC-F ABUTTED & COVERED
- IP44 WEATHERPROOF
- Dimmable built-in driver
- 3 YEAR WARRANTY

<b>Power</b>		5W	7W	7W
<b>Lumen output</b>	Warm White	<b>70mm</b> 505 lm	<b>90mm</b> 700 lm	<b>125mm</b> 750 lm
	Cool White	515 lm	820 lm	820 lm
<b>Efficacy</b>	Warm White	<b>70mm</b> 101 lm/W	<b>90mm</b> 100 lm/W	<b>125mm</b> 107 lm/W
	Cool White	103 lm/W	117 lm/W	125 lm/W
<b>Colour temperature</b>	Warm White	3,000K		
	Cool White	4,000K		
<b>CRI</b>	80+			
<b>Insulation rating</b>	IC-4 and IC-F			
<b>Dimming</b>	Trailing edge dimmers			
<b>Lifespan</b>	35,000 h			
<b>Package contents</b>	5W to 7W dimmable downlight with integrated driver. Supplied with flex and plug			

<b>Product codes</b>	<b>Ø70mm cut-out</b>	
	White Fascia	DLI7001
	Warm White Light	DLI7002
	Cool White Light	
	Brushed Chrome Fascia	
	Warm White Light	DLI7003
	Cool White Light	DLI7004
	Black Fascia	
	Warm White Light	DLI7003BL
	Cool White Light	DLI7004BL
	<b>Ø90mm cut-out</b>	
	White Fascia	
	Warm White Light	DLI9001
	Cool White Light	DLI9002
	Brushed Chrome Fascia	
	Warm White Light	DLI9003
	Cool White Light	DLI9004
	Black Fascia	
	Warm White Light	DLI9003BL
	Cool White Light	DLI9004BL
	<b>Ø125mm cut-out</b>	
	White Fascia	
	Warm White Light	DLI12501
	Cool White Light	DLI12502



# DLI DOWNLIGHT NON-DIMMABLE SERIES (5W TO 7W)

**NEW**

The functional design and classic finish of the DLI adds a touch of contemporary lighting. The DLI is ideal for all rooms in the house where basic lighting function is needed. At only 5W to 7W the DLI delivers maximum brightness with limited power consumption.



**Main applications**

Living areas, bedrooms, bathrooms, & undercover outdoor areas

**TIP**

Recessed diffuser reduces glare



DLI70 SERIES



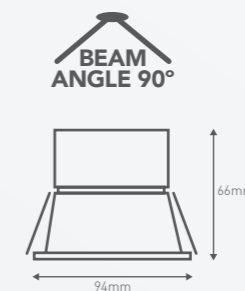
DLI90 SERIES

- 
- 
- 
- 
- 
- 

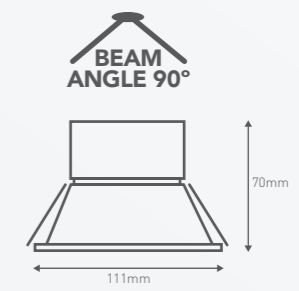
Power	5W	7W	
<b>Lumen output</b>	Warm White	<b>70mm</b> 480 lm	<b>90mm</b> 740 lm
	Cool White	505 lm	815 lm
<b>Efficacy</b>	Warm White	<b>70mm</b> 96 lm/W	<b>90mm</b> 105 lm/W
	Cool White	101 lm/W	116 lm/W
<b>Colour temperature</b>	Warm White		3,000K
	Cool White		4,000K
<b>CRI</b>	80+		
<b>Insulation rating</b>	IC-4 and IC-F		
<b>Dimming</b>	No		
<b>Lifespan</b>	30,000 h		
<b>Package contents</b>	5W to 7W non-dimmable downlight. Flex and plug not supplied.		

Product codes	Ø70mm cut-out	Ø90mm cut-out
	White Fascia	
	Warm White Light	<b>DLI7005</b>
	Cool White Light	<b>DLI7006</b>
	Brushed Chrome Fascia	
	Warm White Light	<b>DLI7007</b>
	Cool White Light	<b>DLI7008</b>
	White Fascia	
	Warm White Light	<b>DLI9005</b>
	Cool White Light	<b>DLI9006</b>
	Brushed Chrome Fascia	
	Warm White Light	<b>DLI9007</b>
	Cool White Light	<b>DLI9008</b>

DLI70 SERIES



DLI90 SERIES





# AZA+ DOWNLIGHT SERIES (8W)

The AZA+ sits flush with the ceiling blending seamlessly with any décor and provides bright and energy saving illumination.



**NEW**

**Main applications**

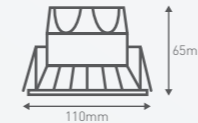
Living areas, bedrooms, bathrooms, & undercover outdoor areas



**TIP**

At only 65mm depth, AZA+ downlights will fit in most ceiling cavities

<b>Power</b>	8W	
<b>Lumen output</b>	Warm White	750 lm
	Cool White	820 lm
<b>Efficacy</b>	Warm White	93 lm/W
	Cool White	102 lm/W
<b>Colour temperature</b>	Warm White	3,000K
	Cool White	4,000K
<b>CRI</b>	80+	
<b>Insulation rating</b>	IC-4 and IC-F	
<b>Dimming</b>	Trailing edge dimmers	
<b>Lifespan</b>	35,000 h	
<b>Package contents</b>	8W dimmable downlight with integrated driver. Supplied with flex and plug	
<b>Product codes</b>	White Fascia Warm White Light	<b>LDL043KWE</b>
	White Fascia Cool White Light	<b>LDL044KWE</b>
	Polished Silver Fascia Warm White Light	<b>LDL043KPS</b>
	Polished Silver Fascia Cool White Light	<b>LDL044KPS</b>



# DALIA DOWNLIGHT SERIES (15W)

Equipped with a Citizen LED chip, these superior downlights are our brightest and deliver exceptional colour rendering, making details in an interior space appear sharper and more vibrant. Dalia is a fusion of craftsmanship, highest-calibre materials and advanced technology. Available in white or polished aluminium.



#### Main applications

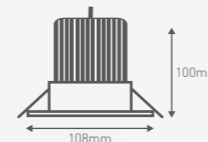
Living areas, bedrooms, bathrooms, & undercover outdoor areas

#### TIP

With an outstanding 92+ CRI, Dalia downlights illuminate objects and surfaces in their true colours



<b>Power</b>	15W	
<b>Lumen output</b>	Warm White	950 lm
	Cool White	980 lm
<b>Efficacy</b>	Warm White	63 lm/W
	Cool White	65 lm/W
<b>Colour temperature</b>	Warm White	3,000K
	Cool White	4,000K
<b>CRI</b>	80+	
<b>Insulation rating</b>	IC	
<b>Dimming</b>	Trailing & leading edge, 2 & 3 wire	
<b>Lifespan</b>	30,000 h	
<b>Construction</b>	Corrosion resistant anodised aluminium	
<b>Package contents</b>	Dimmable SELV external LED driver and 15W LED sealed fixture. Supplied with flex and plug	
<b>Product codes</b>	White Fascia	
	Warm White Light	<b>LDL023KWE</b>
	White Fascia	
	Cool White Light	<b>LDL024KWE</b>
	Aluminium Fascia	
	Warm White Light	<b>LDL023KPS</b>
	Aluminium Fascia	
	Cool White Light	<b>LDL024KPS</b>

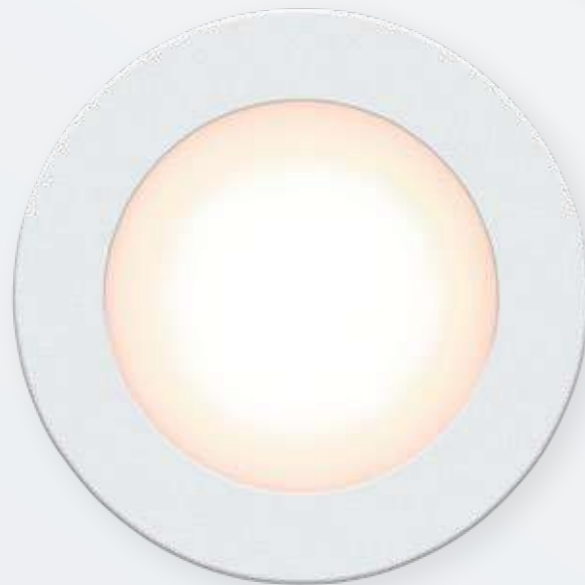


# AZALEA DOWNLIGHT SERIES (9W)

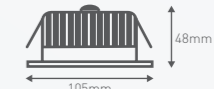
A marriage of style and function, our Azalea effortlessly achieves optimum lighting performance with impressive economy. With a 48mm depth, it is brilliant for tight ceiling cavities and multi-floor dwellings.

### Main applications

Living areas, bedrooms, bathrooms, & undercover outdoor areas



<b>Power</b>	11W	
<b>Lumen output</b>	Warm White	880 lm
	Cool White	890 lm
<b>Efficacy</b>	Warm White	98 lm/W
	Cool White	99 lm/W
<b>Colour temperature</b>	Warm White	3,000K
	Cool White	4,000K
<b>CRI</b>	80+	
<b>Insulation rating</b>	IC-4 and IC-F	
<b>Dimming</b>	Trailing & leading edge, 2 & 3 wire	
<b>Lifespan</b>	30,000 h	
<b>Construction</b>	Aluminium	
<b>Package contents</b>	Dimmable SELV external LED driver and 11W LED sealed fixture. Supplied with flex and plug	
<b>Product codes</b>	White Fascia	
	Warm White Light	<b>LDL013KWE</b>
	White Fascia	
	Cool White Light	<b>LDL014KWE</b>
	Aluminium Fascia	
	Warm White Light	<b>LDL013KPS</b>
	Aluminium Fascia	
	Cool White Light	<b>LDL014KPS</b>



# DLS DOWNLIGHT SERIES (10W)

Behind the stylish façade of white or brushed chrome, the DLS features a frosted recessed diffuser to reduce glare and ensure a perfect light spread across any room. Our vision, improving your vision.



### Main applications

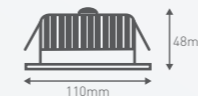
Living areas, bedrooms, bathrooms, & undercover outdoor areas



### TIP

Recessed diffuser reduces glare

<b>Power</b>	10W	
<b>Lumen output</b>	Warm White	830 lm
	Cool White	835 lm
<b>Efficacy</b>	Warm White	83 lm/W
	Cool White	83.5 lm/W
<b>Colour temperature</b>	Warm White	3,000K
	Cool White	4,000K
<b>CRI</b>	80+	
<b>Insulation rating</b>	IC-4 and IC-F	
<b>Dimming</b>	Trailing edge dimmers	
<b>Lifespan</b>	30,000 h	
<b>Package contents</b>	Dimmable SELV external LED driver with quick-connect plug and 10W LED sealed fixture. Supplied with flex and plug	
<b>Product codes</b>	White Fascia Warm White Light	<b>DLS9001</b>
	White Fascia Cool White Light	<b>DLS9002</b>
	Brushed Chrome Fascia Warm White Light	<b>DLS9003</b>
	Brushed Chrome Fascia Cool White Light	<b>DLS9004</b>



# FREESIA DOWNLIGHT SERIES (7W)

The diminutive Freesia series delivers a big performance with a minimal footprint. Available in both white or polished aluminium, it is ideal for retrofitting halogen lights with 70mm hole cut-outs.

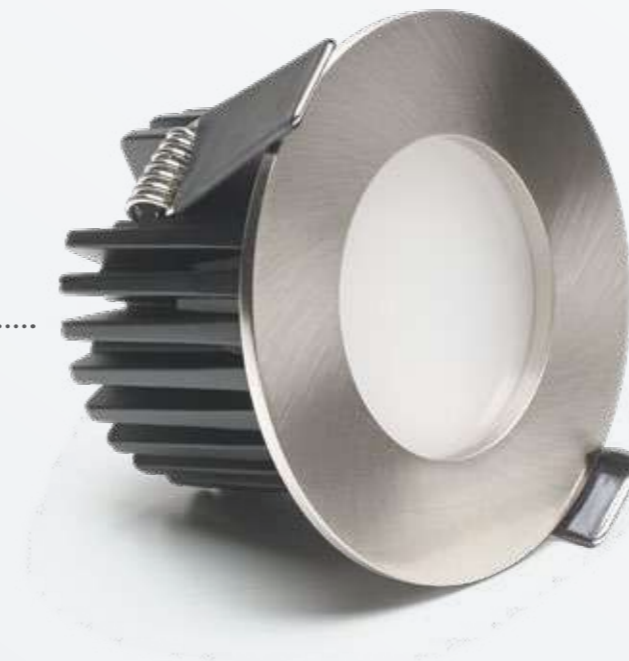
### Main applications

Living areas, bedrooms, bathrooms, & undercover outdoor areas



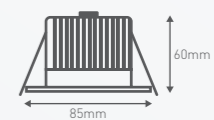
### TIP

Freesia's 70mm cut-out makes it an ideal upgrade to replace fixed halogen downlights



- 500 LUMENS
- IC-4 INSULATION RATING
- IC-F ABUTTED & COVERED
- IP44 WEATHERPROOF
- 6 YEAR WARRANTY

<b>Power</b>	9W	
<b>Lumen output</b>	Warm White	600 lm
	Cool White	620 lm
<b>Efficacy</b>	Warm White	67 lm/W
	Cool White	69 lm/W
<b>Colour temperature</b>	Warm White	3,000K
	Cool White	4,000K
<b>CRI</b>	80+	
<b>Insulation rating</b>	IC-4 and IC-F	
<b>Dimming</b>	Trailing & leading edge, 2 & 3 wire	
<b>Lifespan</b>	30,000 h	
<b>Construction</b>	Aluminium	
<b>Package contents</b>	Dimmable SELV external LED driver and 9W LED sealed fixture. Supplied with flex and plug	
<b>Product codes</b>	White Fascia	
	Warm White Light	<b>LDL033KWE</b>
	White Fascia	
	Cool White Light	<b>LDL034KWE</b>
	Aluminium Fascia	
	Warm White Light	<b>LDL033KPS</b>
	Aluminium Fascia	
	Cool White Light	<b>LDL034KPS</b>



# MR16

RETROFIT DOWNLIGHT SERIES (7W TO 9W)

This patented energy efficient MR16 retrofit LED downlight has been designed as a DIY upgrade to existing MR16 halogen downlights. Compatible with all leading brands of transformers on the market, choose this simple and safe solution for great light output and energy saving.

**Main applications**

DIY Replacement of existing halogen MR16 downlights.

**TIP**

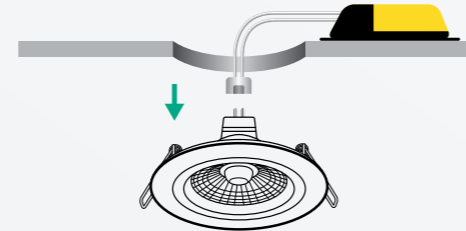
Compatible with all leading brands of transformers on the market



Install it yourself in **3** easy steps.

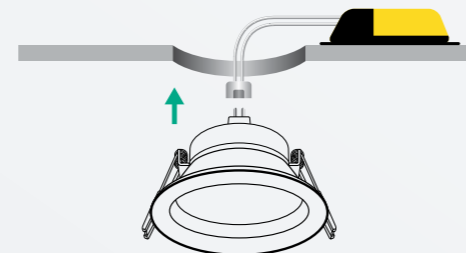
**1. Remove.**

Unplug and remove existing MR16 halogen downlight.



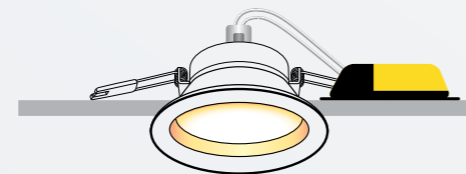
**2. Replace.**

Plug-in your new HPM MR16 LED downlight and install back into ceiling.



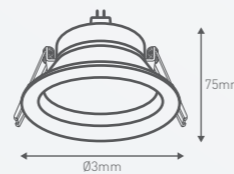
**3. Ready.**

Enjoy great light output, sleek design and up to 80% energy saving.

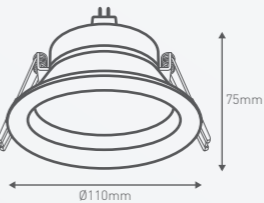


<b>Power</b>		7W	9W
<b>Lumen output</b>	Warm White	550 lm	710 lm
	Cool White	590 lm	770 lm
<b>Efficacy</b>	Warm White	78 lm/W	78 lm/W
	Cool White	84 lm/W	85 lm/W
<b>Colour temperature</b>	Warm White		3,000K
	Cool White		4,000K
<b>Insulation rating</b>	Ø90mm 9W IC abutted & covered		
	Ø70mm 7W CA80 & CA90 abutted only		
<b>CRI</b>		80+	
<b>Lifespan</b>		35,000 h	
<b>Package contents</b>		MR16 LED downlight	
<b>Product codes</b>	<b>Ø70mm cut-out 7W</b>		
	White Fascia		
	Warm White Light	<b>LMR16703KWE</b>	
	Cool White Light	<b>LMR16704KWE</b>	
<b>Product codes</b>	<b>Ø90mm cut-out 9W</b>		
	White Fascia		
	Warm White Light	<b>LMR16903KWE</b>	
	Cool White Light	<b>LMR16904KWE</b>	

DLI70 SERIES



DLI90 SERIES



**D.I.Y.**  
INSTALL IT YOURSELF

**IP44**  
WEATHERPROOF

**3 YEAR**  
WARRANTY



# LUNA

PANEL LIGHTS (18W)

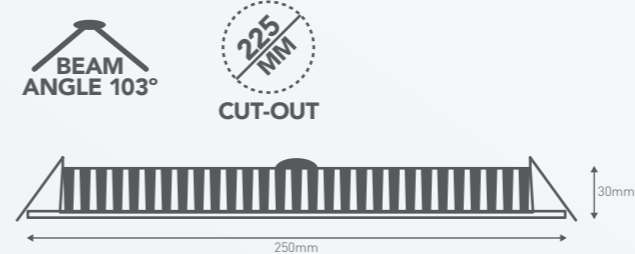
Offering the ultimate in discreet lighting, the Luna's slim depth allows it to fit effortlessly into tight ceiling cavities. All the illumination of an oyster light, none of the obtrusiveness.



### Main applications

Living areas, bedrooms, bathrooms, and undercover outdoor areas. Ideal replacement for oyster lights

<b>Power</b>	18W	
<b>Lumen output</b>	Warm White	1,440 lm
	Cool White	1,500lm
<b>Efficacy</b>	Warm White	80 lm/W
	Cool White	83 lm/W
<b>Colour temperature</b>	Warm White	3,000K
	Cool White	4,000K
<b>CRI</b>	80+	
<b>Insulation rating</b>	IC	
<b>Dimming</b>	Trailing & leading edge, 2 & 3 wire	
<b>Lifespan</b>	30,000 h	
<b>Construction</b>	Aluminium	
<b>Package contents</b>	Dimmable SELV external LED driver and 18W LED sealed fixture. Supplied with flex and plug	
<b>Product code</b>	White Fascia	
	Warm White Light	<b>LPA013KWE</b>
	White Fascia	
	Cool White Light	<b>LPA014KWE</b>



UP TO  
**1500**  
LUMENS



**IP44**  
WEATHERPROOF

**6 YEAR**  
WARRANTY



# ATIS

OYSTER LIGHTS (17W)

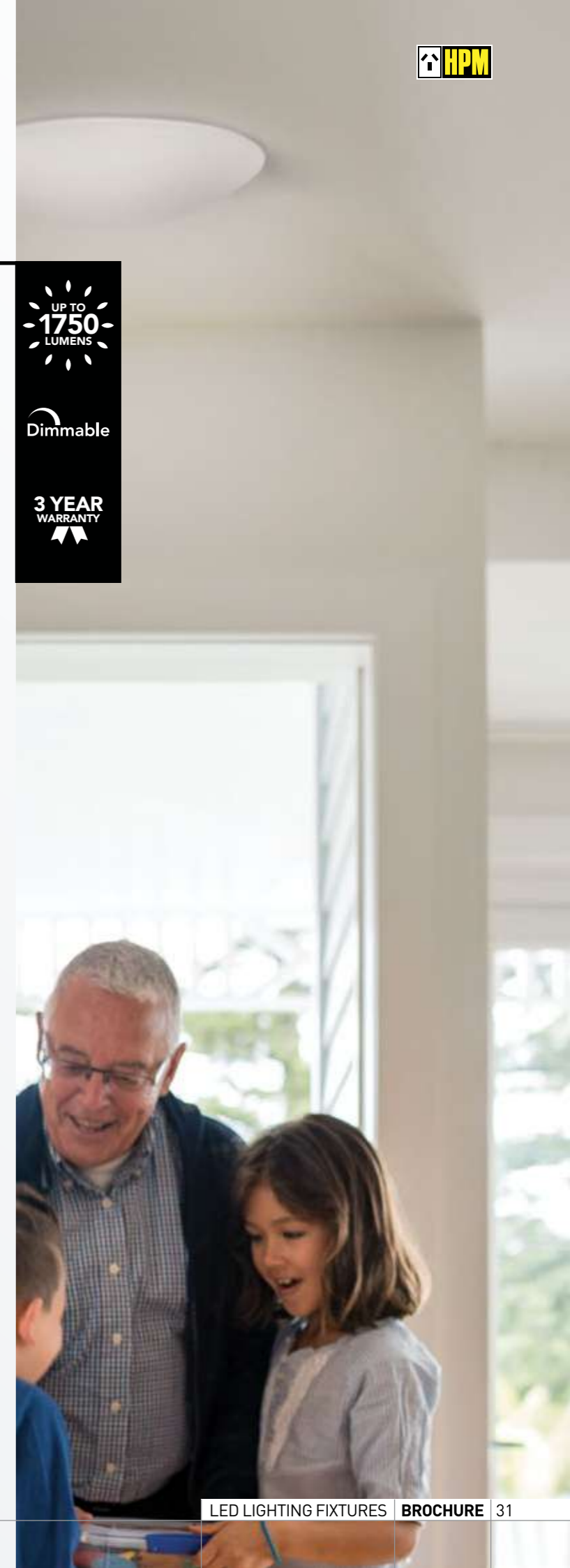
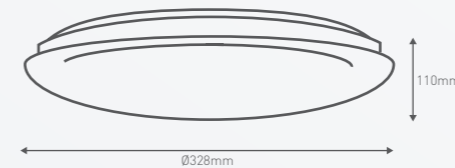
The Atis brings a touch of simple elegance to any room. Providing evenly distributed ambient light from the ceiling makes it the ideal light for task, general or accent lighting.



**Main applications**

Living areas, bedrooms, bathrooms, and undercover outdoor areas.

<b>Power</b>	17W	
<b>Lumen output</b>	Warm White	1,650 lm
	Cool White	1,750 lm
<b>Efficacy</b>	Warm White	98 lm/W
	Cool White	104 lm/W
<b>Colour temperature</b>	Warm White	3,000K
	Cool White	4,000K
<b>CRI</b>	80+	
<b>Dimming</b>	Trailing edge dimmers	
<b>Lifespan</b>	30,000 h	
<b>Construction</b>	Metal base with polycarbonate lens	
<b>Package contents</b>	17W LED dimmable oyster light, wall plugs and screws	
<b>Product code</b>	White Finish Warm White Light	<b>LOL013KWE</b>
	White Finish Cool White Light	<b>LOL014KWE</b>





**NEW**

# ATIS OYSTER LIGHTS NON-DIMMABLE (17W)

The Atis brings a touch of simple elegance to any room. Providing evenly distributed ambient light from the ceiling makes it the ideal light for task, general or accent lighting.



**Main applications**

Living areas, bedrooms, bathrooms, and undercover outdoor areas.

<b>Power</b>	17W	
<b>Lumen output</b>	Cool White	1,500 lm
<b>Efficacy</b>	Cool White	90 lm/W
<b>Colour temperature</b>	Cool White	4,000K
<b>CRI</b>	80+	
<b>Dimming</b>	No	
<b>Lifespan</b>	30,000 h	
<b>Construction</b>	Metal base with polycarbonate lens	
<b>Package contents</b>	17W LED non-dimmable oyster light, wall plugs and screws	
<b>Product code</b>	White Finish Cool White Light	<b>LOL004KWE</b>

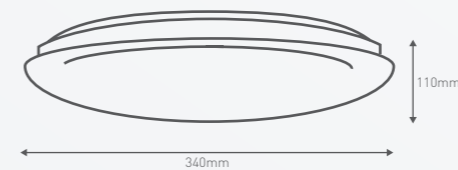
**1500 LUMENS**



NON-DIMMABLE

**3 YEAR WARRANTY**

**BEAM ANGLE 118°**



# AURA OYSTER LIGHTS (18W)

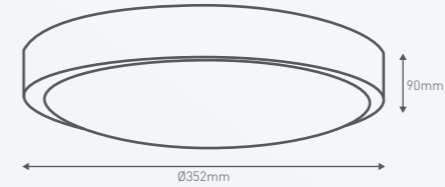
With a simple unobtrusive design the Aura provides a pleasant, evenly distributed light that is ideal in larger living areas.



**Main applications**

Living areas, bedrooms and bathrooms

<b>Power</b>	18W	
<b>Lumen output</b>	Warm White	1,520 lm
	Cool White	1,550 lm
<b>Efficacy</b>	Warm White	84 lm/W
	Cool White	86 lm/W
<b>Colour temperature</b>	Warm White	3,000K
	Cool White	4,000K
<b>CRI</b>	80+	
<b>Dimming</b>	Trailing edge, 2 & 3 wire	
<b>Lifespan</b>	24,000 h	
<b>Construction</b>	Metal base with silver trim and plastic diffuser	
<b>Package contents</b>	18W LED dimmable oyster light, wall plugs and screens	
<b>Product code</b>	White Fascia Warm White Light	<b>LOL023KPS</b>
	White Fascia Cool White Light	<b>LOL024KPS</b>



**NEW**

# LUCITA ADJUSTABLE SPOTLIGHT (7W)

With an ultra modern and sleek silver finish, the Lucita spotlights not only look great but are functional as well. Above kitchen benchtops, angle spotlights to shine on areas where extra light may be required for jobs at hand. In the hallway, enhance artwork or family portraits. In the living room, light up that sculpture or reading nook. Available with one, two or three tilting heads.



**Main applications**

Ideal for kitchen benchtops, and for highlighting features



**TIP**

360 tilting light head - light in every direction



UP TO  
**425**  
LUMENS

**IP54**  
WEATHERPROOF

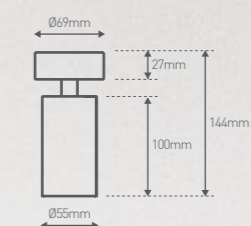
**DIE-CAST**  
ALUMINIUM  
CONSTRUCTION

**5 YEAR**  
WARRANTY

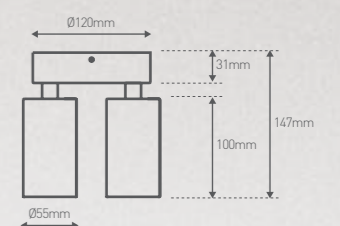
<b>Power</b>		8W	16W	24W
<b>Lumen output</b>	Warm White	425 lm	850 lm	1275 lm
<b>Efficacy</b>	Warm White	55 lm/W	55 lm/W	55 lm/W
<b>Colour temperature</b>	Warm White			3,000K
	Cool White			4,000K
<b>CRI</b>		80+		
<b>Dimming</b>		Non-dimmable		
<b>Lifespan</b>		35,000 h		
<b>Construction</b>		Die-cast aluminium		
<b>Package contents</b>		8W to 24W		
<b>Product codes</b>	Silver			
	Warm White			<b>LSP0113KPS</b>
	Silver			
	Warm White			<b>LSP0123KPS</b>
	Silver			
	Warm White			<b>LSP0133KPS</b>



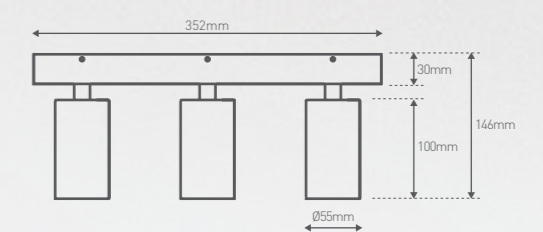
**LSP0113KPS**



**LSP0123KPS**



**LSP0133KPS**



**NEW**

# PENDI

PENDANT SERIES (7W)

Add a wow factor to your kitchen bench tops, bar counters or above your dining table with our contemporary Pendi LED pendant light. The warm white light radiated from the pendant creates ambience and a mood that is ideal for any living space.



**Main applications**

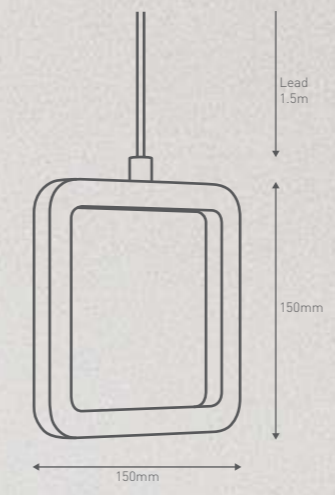
Ideal for kitchen benchtops & bar counters

<b>Power</b>	8W
<b>Lumen output</b>	Warm White 320 lm
<b>Efficacy</b>	Warm White 80 lm/W
<b>Colour temperature</b>	Warm White 3,000K
<b>CRI</b>	80+
<b>Dimming</b>	Non-dimmable
<b>Lifespan</b>	30,000 h
<b>Product codes</b>	Silver <b>LPD033KPS</b>

**320 LUMENS**

**DIE-CAST ALUMINIUM CONSTRUCTION**

**3 YEAR WARRANTY**



**NEW**

# CYLLA PENDANT SERIES (7W)

Our Cylla pendant light has a contemporary design, die-cast aluminium construction with a high quality finish. Perfect for a subtle light diffusion for ambient lighting. Great for kitchen bench tops, bars and cafes to add a wow factor.

**560 LUMENS**

**DIE-CAST ALUMINIUM CONSTRUCTION**

**3 YEAR WARRANTY**

<b>Power</b>	7W	
<b>Lumen output</b>	Warm White	560 lm
<b>Efficacy</b>	Warm White	80 lm/W
<b>Colour temperature</b>	Warm White	3,000K
<b>CRI</b>	80+	
<b>Dimming</b>	Non-dimmable	
<b>Lifespan</b>	25,000 h	
<b>Product code</b>	White	<b>LPD013KWE</b>
	Black	<b>LPD013KBL</b>
	Silver	<b>LPD013KPS</b>



**Main applications**  
Ideal for kitchen benchtops & bar counters

**NEW**

# CERSI PENDANT SERIES (7W)

Contemporary design, die-cast aluminium construction with a high quality finish. Perfect for subtle light diffusion for ambient lighting.

**560 LUMENS**

**DIE-CAST ALUMINIUM CONSTRUCTION**

**3 YEAR WARRANTY**

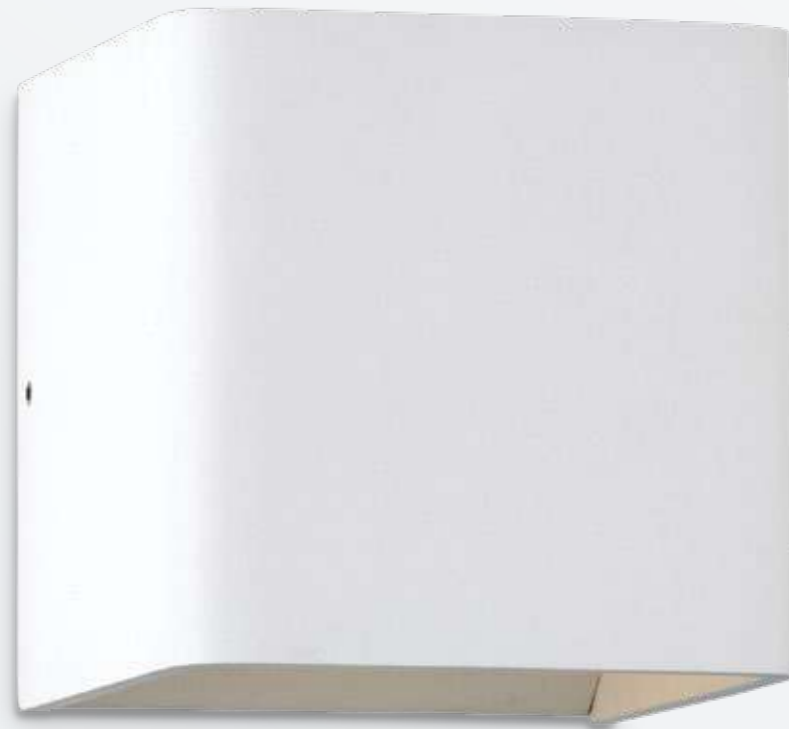
<b>Power</b>	8W	
<b>Lumen output</b>	Warm White	570 lm
<b>Efficacy</b>	Warm White	80 lm/W
<b>Colour temperature</b>	Warm White	3,000K
<b>CRI</b>	80+	
<b>Dimming</b>	Non-dimmable	
<b>Lifespan</b>	30,000 h	
<b>Product code</b>	White	<b>LPD023KWE</b>



**Main applications**  
Ideal for kitchen benchtops & bar counters

# KORA INTERIOR UP/DOWN LIGHT (8.3W)

Kora throws light up and down to create a beautiful light pattern on walls and fill rooms with ambience. The stylish cube design will complement contemporary interiors with its sleek finish and clean lines.



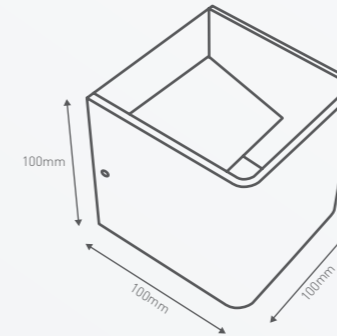
↑  
Light flows both  
up and down  
↓

#### Main applications

Living areas, hallways, entrances

<b>Power</b>	8.3W	
<b>Lumen output</b>	Warm White	335 lm
<b>Efficacy</b>	Warm White	40 lm/W
<b>Colour temperature</b>	Warm White	3,000K
<b>CRI</b>	80+	
<b>Lifespan</b>	30,000 h	
<b>Construction</b>	Electroplate with white finish	
<b>Package contents</b>	8.3W LED up/down light fixture, wall plugs and screws	
<b>Product code</b>	White Finish Warm White Light	<b>LWL053KWE</b>

  
**BEAM  
ANGLE 120°**



**335  
LUMENS**

**UP DOWN  
LIGHT BEAM**

**6 YEAR  
WARRANTY**

# DIAMA

INTERIOR UP/DOWN LIGHT (7.5W)

Transform walls into a visual feast with a Diama fixture. With its unique two-directional light beam, Diama is the perfect light for enhancing architecture.



↑  
Light flows both  
up and down  
↓



**TIP**

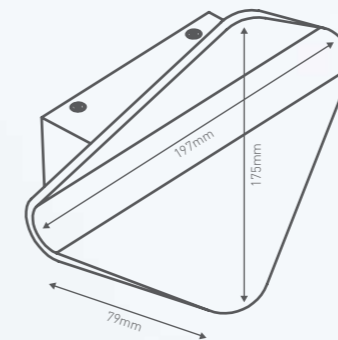
Combine this architectural light with Legrand Arteor switches and sockets to create a genuine feel of interior elegance and refinement

**Main applications**

Living areas, hallways, entrances

<b>Power</b>	7.5W
<b>Lumen output</b>	Warm White 520 lm
<b>Efficacy</b>	Warm White 69 lm/W
<b>Colour temperature</b>	Warm White 3,000K
<b>CRI</b>	80+
<b>Lifespan</b>	30,000 h
<b>Construction</b>	Anodised aluminium with high gloss white finish
<b>Package contents</b>	7.5W LED up/down light fixture, wall plugs and screws
<b>Product code</b>	White Finish Warm White Light <b>LWL033KWE</b>

**BEAM ANGLE 120°**



**520 LUMENS**

**UP DOWN LIGHT BEAM**

**6 YEAR WARRANTY**



# RIBA STRIPLIGHT

Where other lights fear to tread the Riba calls home. Whatever your lighting challenge, the Riba is equipped to match it – and always with style to spare. Be it a confined space or delicate mood lighting, satisfaction is assured.



### Main applications

Under cabinets, entertaining areas, kitchens, home theatres

<b>Power</b>	7W	
<b>Lumen output</b>	Warm White	600 lm
<b>Efficacy</b>	Warm White	50 lm/W
<b>Colour temperature</b>	Warm White	3,000K
<b>CRI</b>	80+	
<b>Lifespan</b>	30,000 h	
<b>Package contents</b>	LDR01N700/36: 1m LED strip 7.2W & plug-in 36W transformer LSL013K: 1m LED strip with quick-connector	

**Installation** Starter kit (cat no LDR01N700/36) contains plug-in transformer with 1m LED strip. Additional inter-connectible 1m LED strips available (cat no LSL013K). Connect up to 5m of LED strips on one transformer. LED strips can be cut off every 10cm.

<b>Product codes</b>	LED striplight (1m) and transformer	<b>LDR01N700/36</b>
	LED striplight (1m) and quick-connector	<b>LSL013K</b>

600 LUMENS

QUICK CONNECT UP TO 5m

3 YEAR WARRANTY





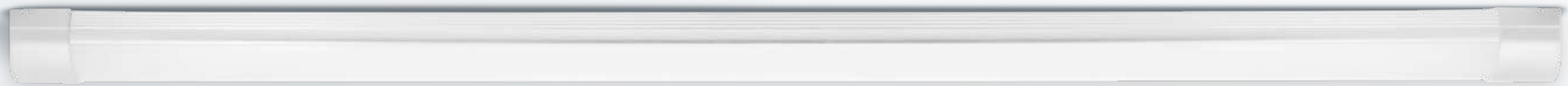
**NEW**

# LINEAR LED BATTEN

With its lightweight and minimalistic design, our LED Linear Batten light is a premier choice for linear lighting. Stylish and unobtrusive, these have the power to illuminate the home, front porch, office or industrial setting.

**Main applications**

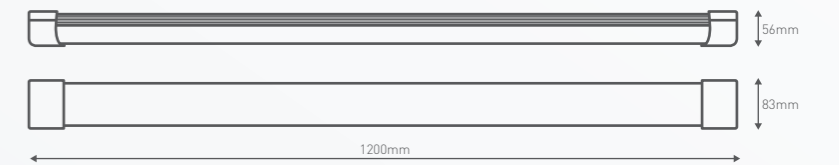
Ideal for kitchen, garage, laundry & undercover outdoor



**4000 LUMENS**

**3 YEAR WARRANTY**

<b>Power</b>	40W
<b>Lumen output</b>	Cool White 4000 lm
<b>Efficacy</b>	Cool White 100 lm/W
<b>Colour temperature</b>	Cool White 4,000K
<b>CRI</b>	80+
<b>Dimming</b>	Non-dimmable
<b>Lifespan</b>	30,000 h
<b>Product codes</b>	Cool White <b>LLF014K1200</b>



**BEAM ANGLE 118°**

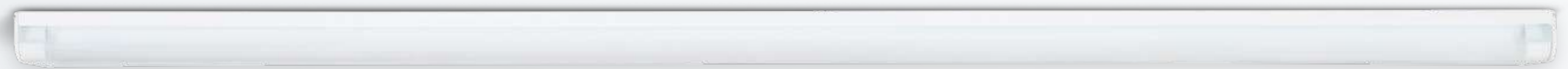
**NEW**

# SLIMLINE LED BATTEN

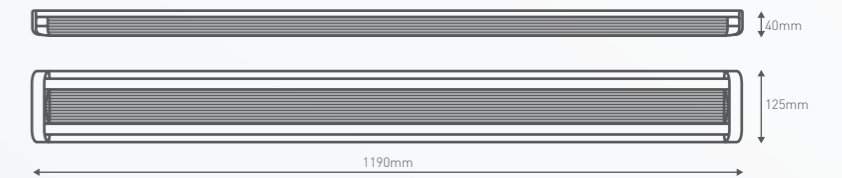
With its 40mm slim design, our Slimline Linear Batten is perfect for areas where illumination is needed but unobtrusiveness is the key.

**Main applications**

Ideal for kitchen, garage, laundry & undercover outdoor



<b>Power</b>	40W
<b>Lumen output</b>	Cool White 4400 lm
<b>Efficacy</b>	Cool White 110 lm/W
<b>Colour temperature</b>	Cool White 4,000K
<b>CRI</b>	80+
<b>Dimming</b>	Non-dimmable
<b>Lifespan</b>	40,000 h
<b>Product codes</b>	Cool White <b>M5FD228LED</b>



**NEW**

# BLADE LED BATTEN

Who would have thought batten lights could look stylish! The Blade LED Batten is very slimline with a profile of just 37mm, perfect for illuminating the home or office.

**Main applications**

Ideal for kitchen, study & laundry



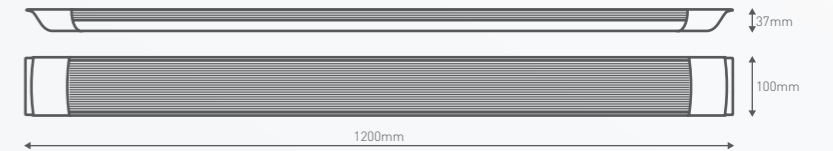
UP TO  
**3600**  
LUMENS

**3 YEAR**  
WARRANTY

<b>Power</b>		36W
<b>Lumen output</b>	Cool White	3600 lm
<b>Efficacy</b>	Cool White	100 lm/W
<b>Colour temperature</b>	Cool White	4,000K
<b>CRI</b>	80+	
<b>Dimming</b>	Non-dimmable	
<b>Lifespan</b>	35,000 h	
<b>Product codes</b>	1200mm Cool White	<b>LLF024K1200</b>

**BEAM**  
**ANGLE 108°**

LLF024K1200



# DECKIA DECK LIGHT (0.6W)

**NEW**

Constructed in a brushed stainless steel finish, this kit has everything you need to illuminate your outdoor space and with just the right lighting. Sleek and modern in design, these cylinder-shaped lights nestle seamlessly into patio floors, verandahs, or entryways. Connect up to 25 deck lights on one driver kit and be assured installation is simple.

**Main applications**

Decks and patios



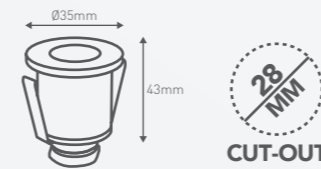
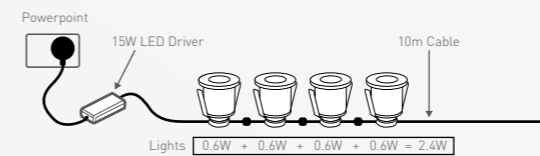
**MARINE GRADE**  
FULL 316  
STAINLESS  
STEEL  
INC. HOUSING, BLADES & SCREWS



<b>Power</b>	0.6W
<b>Lumen output</b>	Warm White 20 lm
<b>Efficacy</b>	Warm White 33.3 lm/W
<b>Colour temperature</b>	Warm White 3,000K
<b>CRI</b>	80+
<b>Lifespan</b>	30,000 h
<b>Construction</b>	Marine Grade Stainless Steel
<b>Weatherproof rating</b>	IP67
<b>Package contents</b>	4 Pack kit contents: 4 x Deck lights 1 x 15W LED driver 1 x 10m extra low voltage cable

<b>Product codes</b>	Polished Aluminium Finish Single pack Warm White Light <b>LDK013K316</b> Polished Aluminium Finish 4 pack Warm White Light <b>LDR01DECK</b>
----------------------	--

**Installation** Must be installed with driver kit LDR02D700/18. A minimum of 2 and a maximum of 6 starlights must be connected with each driver. Cable connectors provided in the kit.



\* The 15W LED driver (supplied with LDR01DECK) can take a maximum of 25 deck lights (LEDK013K316)

**20 LUMENS**

**MARINE GRADE**  
FULL 316  
STAINLESS  
STEEL  
INC. HOUSING, BLADES & SCREWS

**IP67**  
SUBMERSIBLE  
UP TO 1M

**6 YEAR WARRANTY**



# CALLA STEP LIGHTS (2.4W)

Scale the heights of style with Calla step lights, an illuminating choice for stairwells or hallways. Whether indoor or outdoor, the Calla excels with its impressive IP65 weatherproof rating.

### Main applications

Stairs, hallways, corridors



### TIP

Use every second or third step, approximately 300-350mm above floor level, for the ultimate light spread



<b>Power</b>	2.4W	
<b>Lumen output</b>	Warm White	24 lm
<b>Efficacy</b>	Warm White	10 lm/W
<b>Colour temperature</b>	Warm White	3,000K
<b>CRI</b>	80+	
<b>Insulation rating</b>	IC	
<b>Dimming</b>	Trailing & leading edge, 2 & 3 wire	
<b>Lifespan</b>	30,000 h	
<b>Construction</b>	Anodised aluminium	
<b>Weatherproof rating</b>	IP65	
<b>Package contents</b>	2.4W LED step light fixture	
<b>Product codes</b>	White Finish Warm White Light	<b>LST013KWE</b>
	Aluminium Finish Warm White Light	<b>LST013KPS</b>
	Driver Kit	<b>LDR02D700/18</b>

**Installation** Must be installed with driver kit LDR02D700/18. A minimum of 2 and a maximum of 6 step lights must be connected with each driver. Cable connectors provided in the kit.

### Driver kit contents LDR02D700/18

Plug, lead, driver

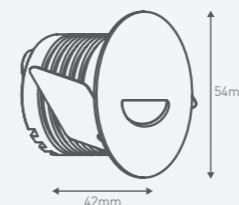


Plug coupler (x2) 100mm

Socket coupler (x2) 100mm

Jumper (x1)

Hub (x3) 300mm



# ZINNIA STARLIGHTS (2.4W)

A fusion of discretion and efficiency, the Zinnia starlights are an in vogue choice for those with an eye for detail. Whether illuminating under cabinets or wall features – indoors or outdoors – the Zinnia is the epitome of versatile style. Available in white and silver. Weatherproof rated IP65.

### Main applications

Under cabinets, alfresco areas, home theatres. Ideal for illuminating features and creating ambience



### TIP





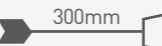
With a slim 35mm depth, Zinnia fits into almost any wall or ceiling cavity

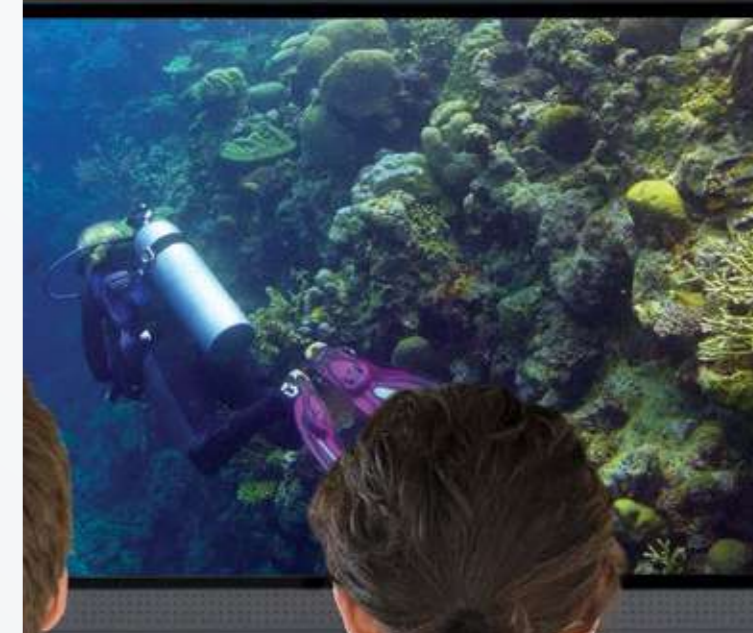
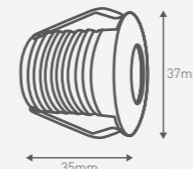


<b>Power</b>	2.4W	
<b>Lumen output</b>	Warm White	95 lm
<b>Efficacy</b>	Warm White	39 lm/W
<b>Colour temperature</b>	Warm White	3,000K
<b>CRI</b>	80+	
<b>Insulation rating</b>	IC	
<b>Dimming</b>	Trailing & leading edge, 2 & 3 wire	
<b>Lifespan</b>	30,000 h	
<b>Construction</b>	Anodised aluminium	
<b>Weatherproof rating</b>	IP65	
<b>Package contents</b>	2.4W LED starlight fixture	
<b>Product codes</b>	White Finish Warm White Light	<b>LST023KWE</b>
	Aluminium Finish Warm White Light	<b>LST023KPS</b>
	Driver Kit	<b>LDR02D700/18</b>

**Installation** Must be installed with driver kit LDR02D700/18. A minimum of 2 and a maximum of 6 starlights must be connected with each driver. Cable connectors provided in the kit.

### Driver kit contents LDR02D700/18

- Plug, lead, driver 
- Plug coupler (x2)  100mm
- Socket coupler (x2)  100mm
- Jumper (x1) 
- Hub (x3)  300mm



# TALANTA

EXTERIOR UP/DOWN LIGHT (4.4W)

**NEW**

Made from the highest quality power coated stainless steel and an approved weatherproof rating of IP55, the Talanta up/down light has been tested to withstand all Australian weather conditions. And it looks good too.



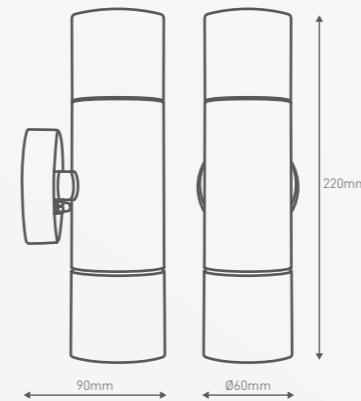
↑  
Light flows both  
up and down  
↓

**Main applications**

Exterior walls, pillars,  
front entrances and  
alfresco areas

<b>Power</b>	2 x 2.2W	
<b>Lumen output</b>	Warm White	120 lm
<b>Efficacy</b>	Warm White	27 lm/W
<b>Colour temperature</b>	Warm White	3,000K
<b>CRI</b>	80+	
<b>Lifespan</b>	35,000 h	
<b>Construction</b>	Stainless steel - brushed Electroplate	
<b>Package contents</b>	4.4W LED up/down light fixture with allen key for mounting, 2 x GU10 LED globes, wall plugs and screws	
<b>Product code</b>	Aluminium Finish Warm White Light	<b>LWL043KPS</b>

~~BEAM~~  
ANGLE 45°



GU10 base LED globes included

**120**  
LUMENS

UP DOWN  
LIGHT BEAM

**IP55**  
WEATHERPROOF

**3 YEAR**  
WARRANTY



# MIKA

EXTERIOR UP/DOWN LIGHT (7W)

The Mika outdoor wall light features a modern design with smooth curved lines perfect for adding a contemporary look to gardens, patios and alfresco areas. This wall light casts light up and down, providing ambient illumination to any outdoor space.



↑  
Light flows both  
up and down  
↓

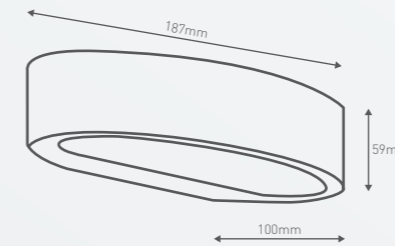
**Main applications**

Exterior walls, pillars,  
front entrances and  
alfresco areas



**NEW**

<b>Power</b>		8W (WE)		8W (BL)
<b>Lumen output</b>	Warm White	365 lm		276 lm
<b>Efficacy</b>	Warm White	50 lm/W		34 lm/W
<b>Colour temperature</b>	Warm White	3,000K		
<b>CRI</b>	80+			
<b>Lifespan</b>	30,000 h			
<b>Constructions</b>	Electroplate			
<b>Product codes</b>	Aluminium Finish Warm White Light			<b>LWL063KPS</b>
	Black Fascia Warm White Light			<b>LWL063KBL</b>



**350 LUMENS**

**UP DOWN LIGHT BEAM**

**IP54 WEATHERPROOF**

**6 YEAR WARRANTY**





# KYRA

EXTERIOR UP/DOWN LIGHT (7.5W)

The multi-talented Kyra represents the ultimate in lighting versatility. Fitted with adjustable panels, Kyra effortlessly oscillates from an uplight to a downlight, or even both. Ideal for highlighting entrances or pillars. Weatherproof rated IP54.



↑  
Light can flow  
up, down or both  
up and down  
↓



**TIP**

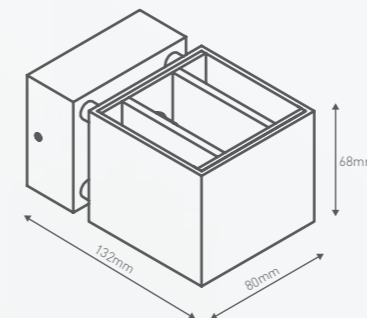
Use in conjunction with Legrand 3 wire outdoor sensors to automatically switch on lights when movement is detected

**Main applications**

Exterior walls, pillars, front entrances

<b>Power</b>	7.5W	
<b>Lumen output</b>	Warm White	430 lm
<b>Efficacy</b>	Warm White	57 lm/W
<b>Colour temperature</b>	Warm White	3,000K
<b>CRI</b>	80+	
<b>Lifespan</b>	30,000 h	
<b>Construction</b>	Electroplate	
<b>Package contents</b>	7.5W LED up/down light fixture allen key for mounting, wall plugs and screws	
<b>Product code</b>	Aluminium Finish Warm White Light	<b>LWL023KPS</b>
	White Finish Warm White Light	<b>LWL023KWE</b>

~~BEAM ANGLE 120°~~



430 LUMENS

UP/DOWN LIGHT BEAM

IP54 WEATHERPROOF

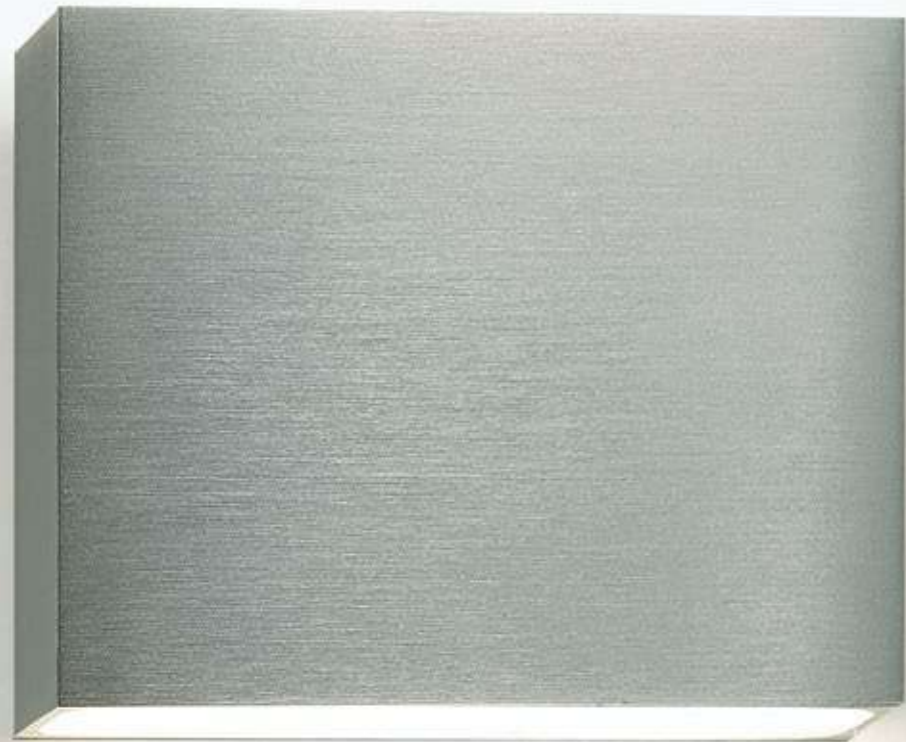
6 YEAR WARRANTY



# PINNA

EXTERIOR UP/DOWN LIGHT (10W)

Slimline, discreet, stylish – the Pinna thrives in outdoor spaces. Utilise its dual-direction beam to foster an atmosphere of blissful tranquility. Weatherproof rated IP54 and corrosion resistant.



↑  
Light flows both  
up and down  
↓

**TIP**

Match Pinna with Legrand Soliroc weatherproof switches and sockets for a harmonious outdoor theme

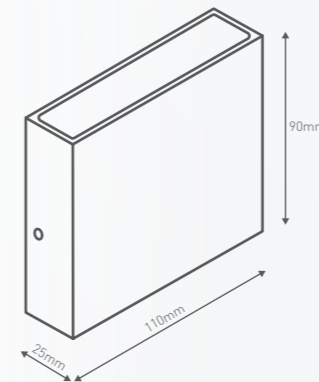
**Main applications**

Exterior walls, pillars, front entrances and backyard entertainment areas



<b>Power</b>	7.6W	
<b>Lumen output</b>	Warm White	420 lm
<b>Efficacy</b>	Warm White	55 lm/W
<b>Colour temperature</b>	Warm White	3,000K
<b>CRI</b>	80+	
<b>Lifespan</b>	30,000 h	
<b>Construction</b>	Electroplate	
<b>Package contents</b>	10W LED up/down light fixture, allen key for mounting, wall plugs and screws	
<b>Product code</b>	Aluminium Finish Warm White Light	<b>LWL013KPS</b>

~~BEAM~~  
ANGLE 120°



**420**  
LUMENS

UP/DOWN  
LIGHT BEAM

**IP54**  
WEATHERPROOF

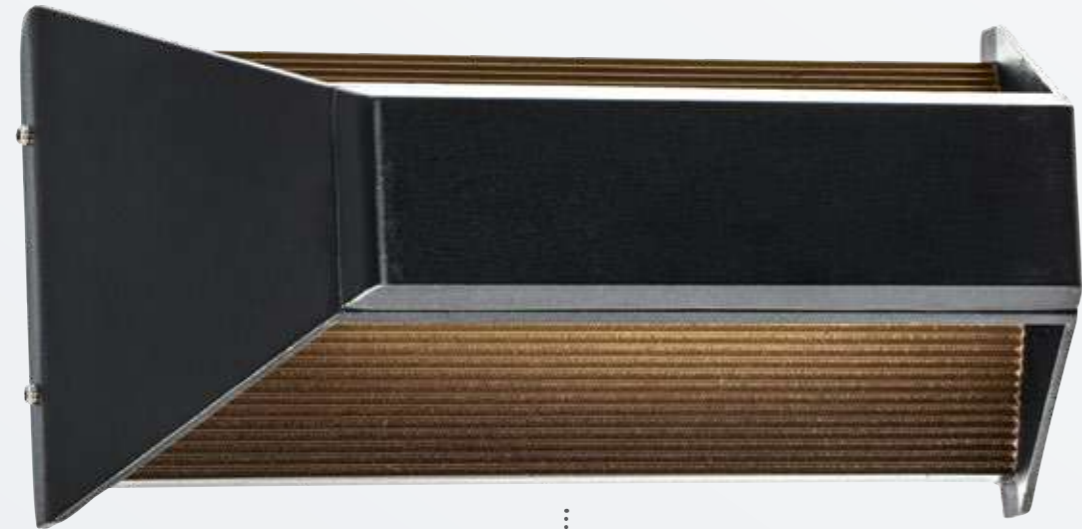
**6 YEAR**  
WARRANTY

**NEW**

# SPARTIKA

EXTERIOR UP/DOWN LIGHT (13W)

Strong, powerful, durable and robust, Spartika is the ultimate soldier for supreme performance in the toughest conditions. Its IP54 rating and 5 year warranty cements its unyielding reputation, while its LED globe ensures brilliant illumination. The up-down light distribution provides the perfect amount of ambience to any outdoor space. Spartika is not afraid to shy away, making a bold statement with its modern, angular design and jet black finish. If you want a fierce soldier that leaves a friendly green footprint, you've met your match!



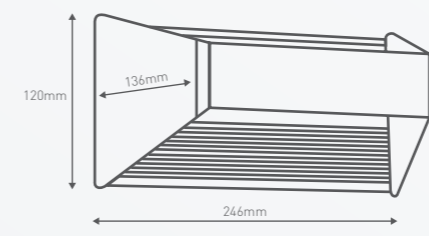
↑  
Light flows both  
up and down  
↓

**Main applications**

Exterior walls, pillars, front entrances and alfresco areas

<b>Power</b>	13W	
<b>Lumen output</b>	Warm White	500 lm
<b>Efficacy</b>	Warm White	38 lm/W
<b>Colour temperature</b>	Warm White	3,000K
<b>CRI</b>	80+	
<b>Lifespan</b>	35,000 h	
<b>Construction</b>	Power coated	
<b>Package contents</b>	13W LED up/down light fixture, allen key for mounting, wall plugs and screws	
<b>Product code</b>	Aluminium Finish Warm White Light	<b>LWL093KBL</b>

**BEAM ANGLE 120°**



**500 LUMENS**

**UP DOWN LIGHT BEAM**

**IP54 WEATHERPROOF**

**5 YEAR WARRANTY**



**NEW**

# KATYA

EXTERIOR ADJUSTABLE LIGHT (10W)

When it comes to beauty, sophistication and class, Katya ticks every box. This stunning LED is the kind of light that will make other lights jealous and render your guests speechless. This graceful light has been made with careful thought, crafted with a petite, slim, minimalist design and a sleek, metallic finish that would suit any décor. Katya is made at an adjustable rotation angle, giving you the freedom to highlight a specific area or to create a stunning layered lighting effect. With a warranty of 5 years, a weatherproof rating of IP65 and an aesthetic rating of 'stunning', this LED comes highly recommended.

↑  
Light flows both  
up and down  
↓

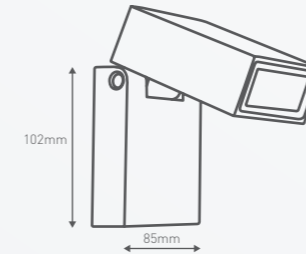


**Main applications**

Exterior walls, pillars, front entrances and alfresco areas

<b>Power</b>	10W	
<b>Lumen output</b>	Warm White	720 lm
<b>Efficacy</b>	Warm White	72 lm/W
<b>Colour temperature</b>	Warm White	3,000K
<b>CRI</b>	80+	
<b>Lifespan</b>	35,000 h	
<b>Construction</b>	Electroplate	
<b>Package contents</b>	12W LED up/down light fixture, allen key for mounting, wall plugs and screws	
<b>Product code</b>	Aluminium Finish Warm White Light	<b>LWL073KPS</b>

~~BEAM ANGLE 100°~~



**720**  
LUMENS

ADJUSTABLE  
HEAD 90°

**IP65**  
WEATHERPROOF

**5 YEAR**  
WARRANTY



# ROTAYA

EXTERIOR ADJUSTABLE LIGHT (10W)

**NEW**

For a unique, eye-catching design, step out of the box with Rotaya. The LED globe is designed with smooth, circular curves, while the base is straight, sharp and angular. Rotaya dares to be different by merging such contrasting shapes, resulting in a superb look that draws in the eye. This ultra-modern looking light is also ultra-flexible, with a beam angle of 110 degrees. Durable, long-lasting and striking in design, Rotaya will be a stand-out from the rest!



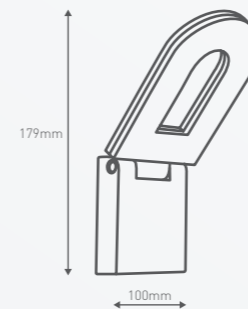
↑  
Light flows both  
up and down  
↓

**Main applications**

Exterior walls, pillars,  
front entrances and  
alfresco areas

<b>Power</b>	9W	
<b>Lumen output</b>	Warm White	600 lm
<b>Efficacy</b>	Warm White	60 lm/W
<b>Colour temperature</b>	Warm White	3,000K
<b>CRI</b>	80+	
<b>Lifespan</b>	35,000 h	
<b>Construction</b>	Electroplate	
<b>Package contents</b>	12W LED up/down light fixture, allen key for mounting, wall plugs and screws	
<b>Product code</b>	Aluminium Finish Warm White Light	<b>LWL083KPS</b>

~~BEAM~~  
~~ANGLE~~  
**110°**



**600**  
LUMENS

↕  
ADJUSTABLE  
HEAD 180°

**IP65**  
WEATHERPROOF

**5 YEAR**  
WARRANTY



# GLAMA EXTERIOR ADJUSTABLE LIGHT (10W)

**NEW**

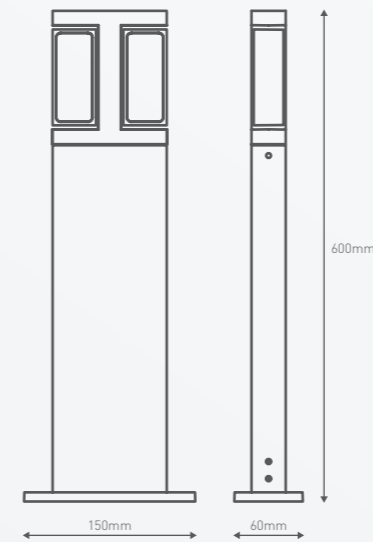
Modern, elegant and simple, this outdoor LED light makes a statement. Made from die-cast aluminium with an exquisite metallic finish, Glama is the perfect lighting solution to add a contemporary look and feel to any outdoor space. The independent adjustable light allows for light play across multiple levels, working as a handy guide for the path, or highlighting a hidden nook from afar. Glama is also made to last. With an IP55 weatherproof rating and 5 year warranty, this symmetrical beauty will stand tall with utmost confidence – rain, hail or shine.



**Main applications**

Driveways, secluded walkways, front and back porches

<b>Power</b>	10W
<b>Lumen output</b>	Cool White 700 lm
<b>Efficacy</b>	Cool White 70 lm/W
<b>Colour temperature</b>	Cool White 4,000K
<b>CRI</b>	80+
<b>Lifespan</b>	35,000 h
<b>Construction</b>	Electroplate
<b>Package contents</b>	10W LED up/down light fixture, allen key for mounting, wall plugs and screws
<b>Product code</b>	Aluminium Finish Warm White Light <b>LBD0112PS</b>



**DIE-CAST ALUMINIUM CONSTRUCTION**

**IP55 WEATHERPROOF**

**5 YEAR WARRANTY**



# OROYA OUTDOOR BUNKER LIGHT (12W)

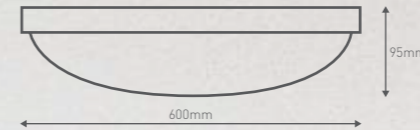
The Oroya is a great choice as a weatherproof outdoor lighting solution with the versatility of being mounted on a wall or in a ceiling. With a weatherproof IP65 rating, it is the ideal solution as an outdoor oyster light or bunker wall light.



**Main applications**  
Outdoor walls and ceilings

<b>Power</b>	12W	
<b>Lumen output</b>	Cool White	870 lm
<b>Efficacy</b>	Cool White	72 lm/W
<b>Colour temperature</b>	Cool White	4,000K
<b>CRI</b>	80+	
<b>Construction</b>	UV resistant polycarbonate	
<b>Package contents</b>	12W outdoor light fixture, wall plugs and screws	
<b>Product codes</b>	White Finish Cool White Light	<b>LBL014KWE</b>
	Black Finish Cool White Light	<b>LBL014KBL</b>

**BEAM  
ANGLE 120°**



**870  
LUMENS**

**WALL OR  
CEILING  
MOUNTING**

**IP65  
WEATHERPROOF**

**3 YEAR  
WARRANTY**



# OVALIA OUTDOOR BUNKER LIGHT (6W)

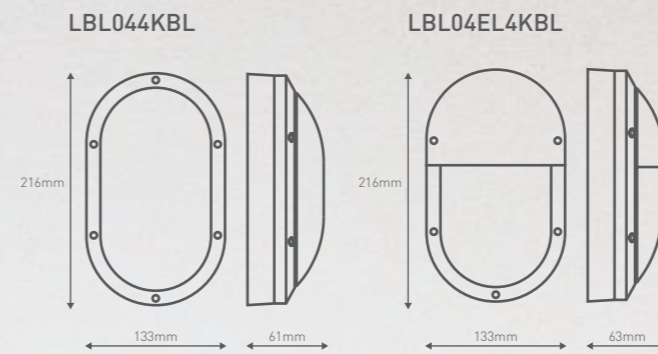
**NEW**

A small, compact bunker light that delivers an exceptional illumination every time, Ovalia does not disappoint. This 'fun-sized' wall light adds the perfect splash of light play, without overpowering an outdoor area with too much light. Its energy consumption matches its mini size - the LED globe provides a low cost solution that will save you a ton of energy. A mini solution that promises maximum performance.



**Main applications**  
Outdoor walls and ceilings

	LBL044KBL	LBL04EL4KBL
<b>Power</b>	7W	6W
<b>Lumen output</b>	Cool White 485 lm	420 lm
<b>Efficacy</b>	Cool White 69 lm/W	68 lm/W
<b>Colour temperature</b>	Cool White	4,000K
<b>CRI</b>	80+	
<b>Lifespan</b>	30,000 h	
<b>Constructions</b>	UV resistant polycarbonate	
<b>Package contents</b>	6-7W outdoor light fixture, wall plugs and screws	
<b>Product codes</b>	Black Finish Cool White Light	<b>LBL044KBL</b>
	Black Fascia Cool White Light	<b>LBL04EL4KBL</b>



UP TO  
**485**  
LUMENS

WALL OR  
CEILING  
MOUNTING

**IP65**  
WEATHERPROOF

**5 YEAR**  
WARRANTY





**NEW**

# SELENTA OUTDOOR BUNKER LIGHT (12W)

It's rare to find a square-shaped bunkerlight. Through popular demand, we have designed Selenta. With its sleek, modern lines and unique, square-shaped finish, this long-lasting LED wall light will be an eye-catcher. So, don't be a square, jazz up your outdoor area!

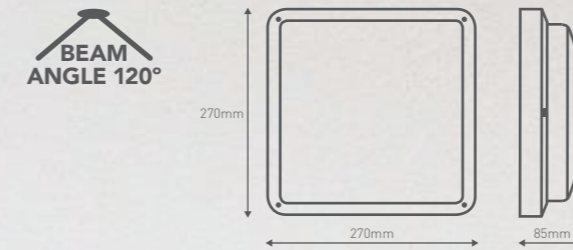


**Main applications**

Outdoor walls and ceilings



<b>Power</b>	12W	
<b>Lumen output</b>	Cool White	870 lm
<b>Efficacy</b>	Cool White	72 lm/W
<b>Colour temperature</b>	Cool White	4,000K
<b>CRI</b>	80+	
<b>Construction</b>	UV resistant polycarbonate	
<b>Package contents</b>	12W outdoor light fixture, wall plugs and screws	
<b>Product codes</b>	White Finish	
	Cool White Light	<b>LBL024KWE</b>
	Black Finish	
	Cool White Light	<b>LBL024KBL</b>



**870**  
LUMENS

WALL OR  
CEILING  
MOUNTING

**IP65**  
WEATHERPROOF

**5 YEAR**  
WARRANTY



# ELLIPTICA OUTDOOR BUNKER LIGHT (20W)

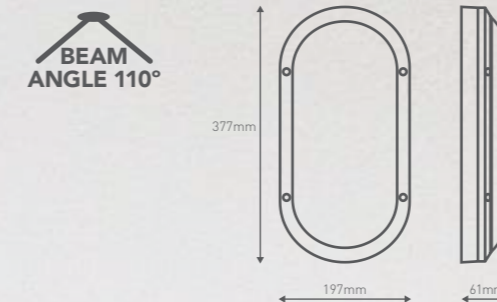
**NEW**

Now here's a bunker light that makes outdoor wall lighting sexy! With its smooth curves, Elliptica adds the perfect amount of light play to any outdoor area, instantly jazzing up dark, drab walls with a sleek, modern oval-shaped finish. If you like an ultra-modern, simplistic look, this stunner will tick every box!



**Main applications**  
Outdoor walls and ceilings

<b>Power</b>	17W	
<b>Lumen output</b>	Cool White	1700 lm
<b>Efficacy</b>	Cool White	100 lm/W
<b>Colour temperature</b>	Cool White	4,000K
<b>CRI</b>	80+	
<b>Construction</b>	UV resistant polycarbonate	
<b>Package contents</b>	17W outdoor light fixture, wall plugs and screws	
<b>Product codes</b>	White Finish Cool White Light	<b>LBL034KWE</b>
	Black Finish Cool White Light	<b>LBL034KBL</b>



**1700 LUMENS**

**WALL OR CEILING MOUNTING**

**IP65 WEATHERPROOF**

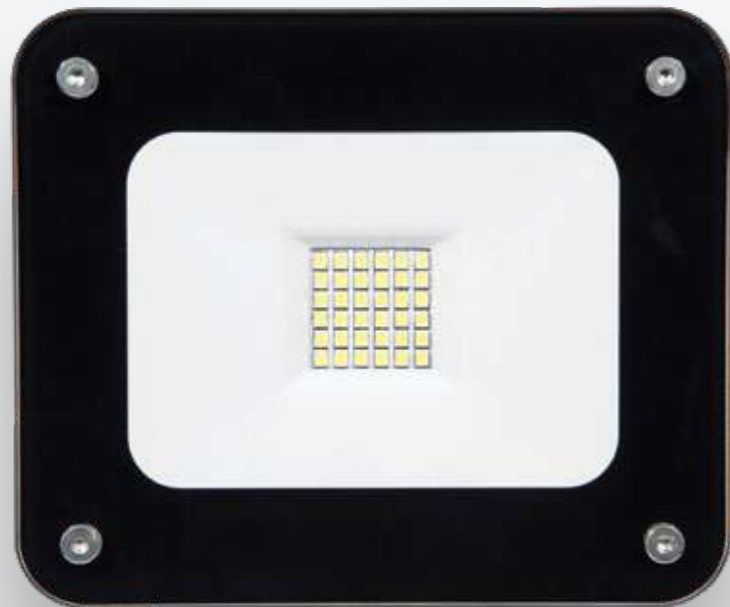
**5 YEAR WARRANTY**



# FINA SLIM FLOODLIGHT (9W TO 15W)

**NEW**

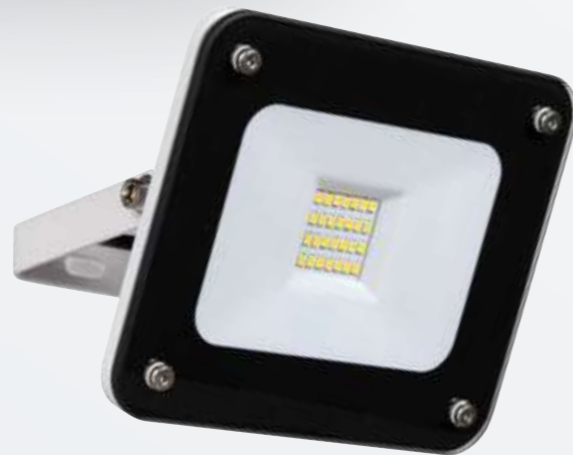
The Fina floodlight combine both a contemporary design and high performance. The slim profile and sleek tempered glass diffuser bring a touch of modern design. The stunning IP rating allows the Fina to be installed fully exposed to the elements.



**TIP**  
Super slim profile  
blends perfectly  
into all exteriors

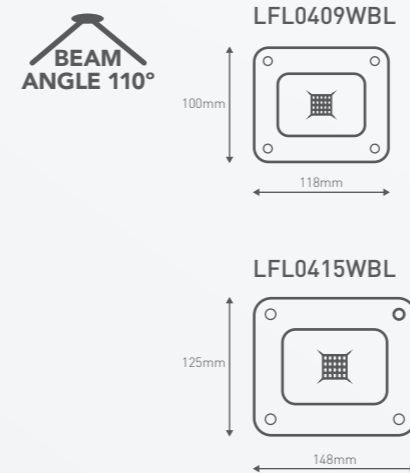


LFL0409WBL



LFL0415WBL

<b>Power</b>		9W	15W
<b>Lumen output</b>	Cool White	800 lm	1490 lm
<b>Efficacy</b>	Cool White	75 lm/W	75 lm/W
<b>Colour temperature</b>	Cool White	4,000K	
<b>CRI</b>		80+	
<b>Lifespan</b>		15,000 h	
<b>Constructions</b>		Tempered glass	
<b>Package contents</b>		LED floodlight with mounting bracket, wall plugs, screws and power cable	
<b>Product codes</b>		9W 15W	LFL0409WBL LFL0415WBL



UP TO  
**1490**  
LUMENS

ADJUSTABLE  
HEAD 180°

**IP65**  
WEATHERPROOF

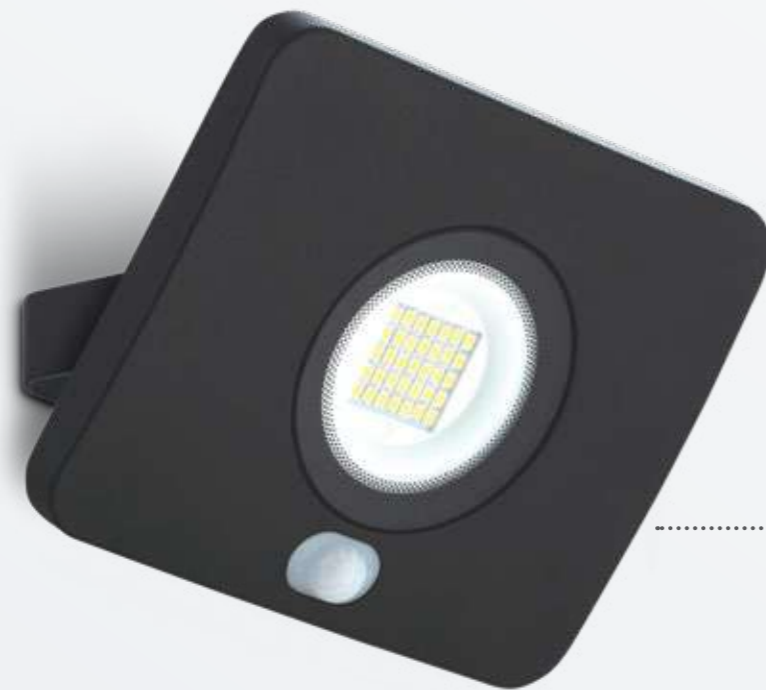
**3 YEAR**  
WARRANTY



**NEW**

# LEANA SLIM FLOODLIGHT (8W-20W)

Think 'fabulous al fresco fun' with Leana. With its sleek, contemporary design, IP65 weatherproof rating and long-lasting LED globe, Leana is the perfect floodlight for adding sparkle to your outdoor area. The light is also equipped with multiple levels of luminosity to suit all your ambiance needs. Sleek to the eye, low on the power bill and brilliant for creating moods, you can't go wrong with Leana.



**TIP**  
Super slim profile blends perfectly into all exteriors



LEANA SLIM FLOODLIGHT WITHOUT SENSOR



LEANA SLIM FLOODLIGHT WITH SENSOR

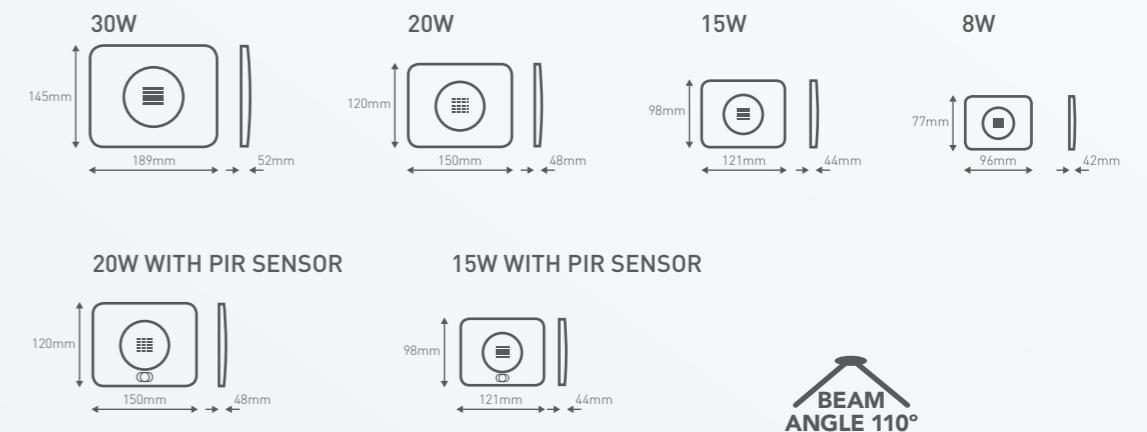
UP TO  
**3000**  
LUMENS

SENSOR  
OPTIONS  
AVAILABLE

IP65  
WEATHERPROOF

5 YEAR  
WARRANTY

<b>Power</b>		8W	15W	20W	30W
<b>Lumen output</b>	Cool White	650 lm	1200 lm	1200 lm	3000 lm
<b>Efficacy</b>	Cool White	80 lm/W	80 lm/W	100 lm/W	100 lm/W
<b>Colour temperature</b>	Cool White 4,000K				
<b>CRI</b>	70+				
<b>Lifespan</b>	25,000 h				
<b>Construction</b>	Die-cast aluminium				
<b>Tilt angle</b>	130° vertical				
<b>Sensor detection range/angle</b>	6m (max) 360° scan				
<b>Time delay</b>	5 min				
<b>Sensor type</b>	Passive Infrared (PIR)				
<b>Switching function</b>	Auto				
<b>Package contents</b>	LED floodlight with mounting bracket & 300mm lead, wall plugs, screws and power cable				
<b>Product code</b>	8W	LFL0510BL			
	15W	LFL0520BL			
	20W	LFL0530BL			
	30W	LFL0540BL			
	15W with PIR sensor	LFS520BL			
	20W with PIR sensor	LFS530BL			



# TWIN FLOODLIGHT WITH SENSOR [29W]

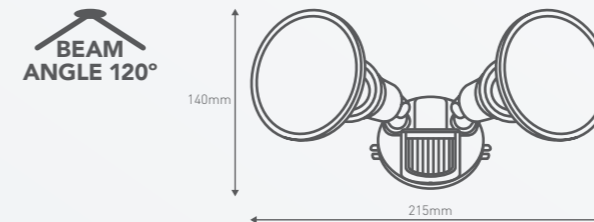
This versatile floodlight features dual lights that can be independently positioned allowing different areas to be illuminated. Ideal for secluded walkways and driveways the PIR sensor automatically activates lights when motion is detected within the detection range.



**TIP**

Passive infrared sensors are sensitive to a person's skin temperature through emitted body radiation, in contrast to background objects at room temperature. No energy is emitted from the sensor, thus the name "Passive Infrared" (PIR)

<b>Power</b>	29W	
<b>Lumen output</b>	Warm White	2,200 lm
<b>Efficacy</b>	Warm White	75 lm/W
<b>Colour temperature</b>	Warm White	3,000K
<b>CRI</b>	80+	
<b>Lifespan</b>	30,000 h	
<b>Head swivel angle</b>	120°	
<b>Sensor detection range/angle</b>	12m / 180°	
<b>Sensor time-delay adjustment</b>	10 (±5) seconds to 4 (±1) minutes	
<b>Sensor type</b>	Passive Infrared (PIR)	
<b>Construction</b>	UV resistant polycarbonate	
<b>Package contents</b>	29W Twin LED floodlight with PIR sensor, wall plugs and screws, 2x14W PAR38 LED lamps	
<b>Product code</b>	Black Finish Warm White Light	<b>LFS013KBL</b>



PAR38 replacement LED lamp (LPAR38024KES)



**2200 LUMENS**

**ADJUSTABLE TIME-DELAY & LUX LEVEL**

**IP44 WEATHERPROOF**

**3 YEAR WARRANTY**



# SIKA FLOODLIGHTS (12W TO 25W)

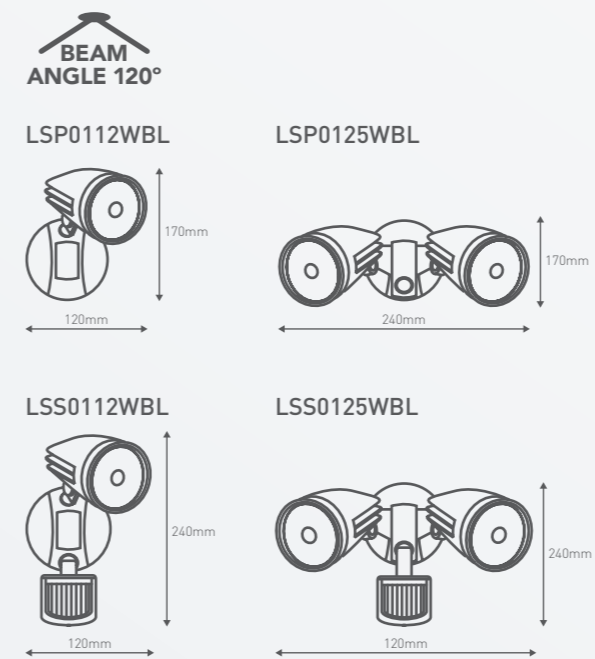
A great choice for lighting walkways and outdoor areas, this floodlight is a bright energy saver. Its simple design blends seamlessly with any décor making it a versatile choice. The Sika with motion sensor switches on automatically when movement is detected.



**TIP**

Ideal for driveways, including walkways, front and back porches

<b>Power</b>		12W	25W
<b>Lumen output</b>	Cool White	1,070 lm	2,200 lm
<b>Efficacy</b>	Cool White	88 lm/W	89 lm/W
<b>Colour temperature</b>	Cool White	4,000K	
<b>CRI</b>	80+		
<b>Lifespan</b>	15,000 h		
<b>Head swivel angle</b>	130° vertical / 180° horizontal		
<b>Sensor detection range/angle</b>	12m / 180°		
<b>Sensor time-delay adjustment</b>	10 (±5) seconds to 4 (±1) minutes		
<b>Sensor type</b>	Passive Infrared (PIR)		
<b>Sensor manual override</b>	Yes		
<b>Construction</b>	Die-cast aluminium body		
<b>Package contents</b>	12W to 25W LED floodlight, wall plugs and screws		
<b>Product code</b>			
Single spot	12W		<b>LSP0112WBL</b>
Double spot	25W		<b>LSP0125WBL</b>
Single spot	12W with PIR sensor		<b>LSS0112WBL</b>
Double spot	25W with PIR sensor		<b>LSS0125WBL</b>



UP TO  
**2200**  
LUMENS

ADJUSTABLE  
TIME-DELAY  
& LUX LEVEL

**IP44**  
WEATHERPROOF

**3 YEAR**  
WARRANTY



# FORTA FLOODLIGHTS (10W TO 40W)

Sporting a slick black, die-cast aluminium body, Forta floodlights look fantastic as well as throw a powerful light. The optional PIR sensor automatically turns on the light when it detects movement, which is both a great energy saving and security feature.



### Main applications

Ideal for driveways, secluded walkways, front and back porches



UP TO  
**3000**  
LUMENS

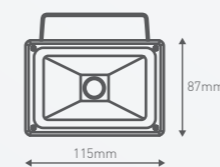
SENSOR  
OPTIONS  
AVAILABLE

**IP44**  
WEATHERPROOF

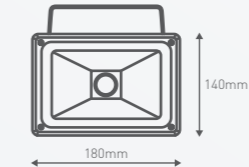
**3 YEAR**  
WARRANTY

<b>Power</b>		10W	20W	30W	40W
<b>Lumen output</b>	Cool White	730 lm	1,615 lm	2,250 lm	3,000 lm
<b>Efficacy</b>	Cool White	73 lm/W	80 lm/W	75 lm/W	75 lm/W
<b>Colour temperature</b>	Cool White	4,000K			
<b>CRI</b>	80+				
<b>Lifespan</b>	15,000 h				
<b>Construction</b>	Die-cast aluminium				
<b>Head swivel angle</b>	180° vertical				
<b>Sensor detection range/angle</b>	12m / 180°				
<b>Sensor time-delay adjustment</b>	10 (±5) seconds to 4 (±1) minutes				
<b>Sensor type</b>	Passive Infrared (PIR)				
<b>Sensor manual override</b>	Yes				
<b>Package contents</b>	LED floodlight with mounting bracket, wall plugs, screws and power cable				
<b>Product code</b>	10W				<b>LFL0110WBL</b>
	20W				<b>LFL0120WBL</b>
	30W				<b>LFL0130WBL</b>
	40W				<b>LFL0140WBL</b>
	10W with PIR sensor				<b>LFS0110WBL</b>
	30W with PIR sensor				<b>LFS0130WBL</b>

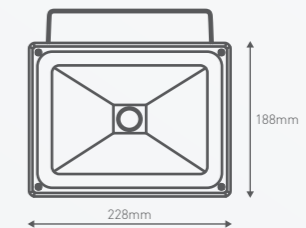
LFL0110WBL



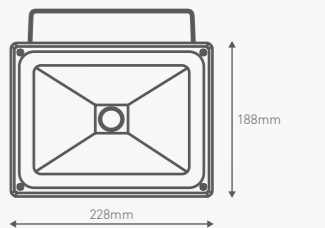
LFL0120WBL



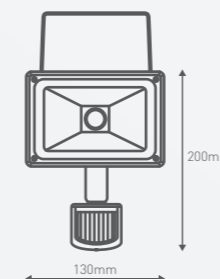
LFL0130WBL



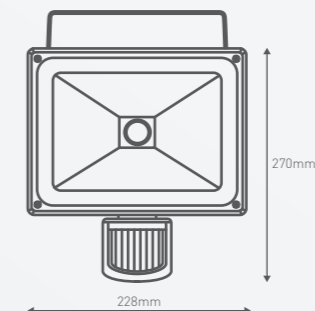
LFL0140WBL



LFS0110WBL

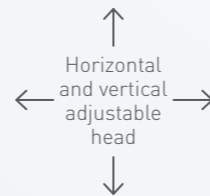


LFS0130WBL



# TORAN FLOODLIGHT WITH SENSOR (16W)

Ideal for mounting under eaves or for illuminating driveways, the Toran keeps you safe with style. Equipped with a motion sensor for energy saving and an adjustable head which enables 180° flexibility.

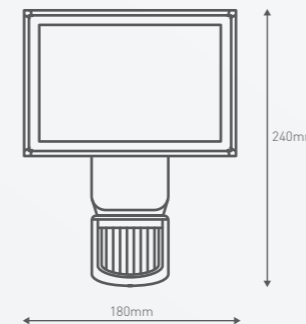


**Main applications**

Ideal for driveways, secluded walkways, front and back porches

<b>Power</b>	16W	
<b>Lumen output</b>	Cool White	1,700 lm
<b>Efficacy</b>	Cool White	106 lm/W
<b>Colour temperature</b>	Cool White	4,000K
<b>CRI</b>	80+	
<b>Lifespan</b>	30,000 h	
<b>Head swivel angle</b>	90° vertical / 120° horizontal	
<b>Sensor detection range/angle</b>	12m / 180°	
<b>Sensor time-delay adjustment</b>	10 (±5) seconds to 4 (±1) minutes	
<b>Sensor type</b>	Passive Infrared (PIR)	
<b>Sensor manual override</b>	Yes	
<b>Construction</b>	UV resistant polycarbonate with aluminium heat sink	
<b>Package contents</b>	16W LED floodlight with sensor, wall plugs and screws	
<b>Product code</b>	Black Finish Cool White Light	<b>LFS0316WBL</b>

**BEAM ANGLE 100°**



**1700 LUMENS**

**PIR**  
SENSOR WITH  
MANUAL  
OVERRIDE

**IP44**  
WEATHERPROOF

**3 YEAR WARRANTY**





# MAXIS FLOODLIGHT (9W)

The Maxis provides added security to outdoor areas with an integrated PIR motion sensor that lights up automatically when movement is detected.

↑  
Horizontal  
and vertical  
adjustable  
head up to 90°  
↓

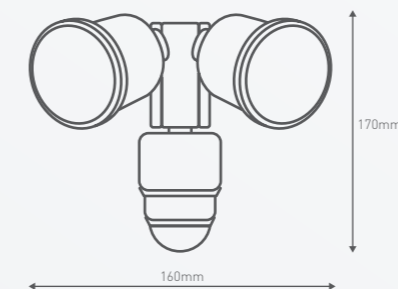


### Main applications

Ideal for driveways, secluded walkways, front and back porches

<b>Power</b>	9W	
<b>Lumen output</b>	Cool White	900 lm
<b>Efficacy</b>	Cool White	100 lm/W
<b>Colour temperature</b>	Cool White	4,000K
<b>CRI</b>	80+	
<b>Lifespan</b>	25,000 h	
<b>Head swivel angle</b>	90° vertical and horizontal	
<b>Sensor detection range/angle</b>	8m / 130°	
<b>Sensor time-delay adjustment</b>	10 (±5) seconds to 4 (±1) minutes	
<b>Sensor type</b>	Passive Infrared (PIR)	
<b>Construction</b>	UV resistant polycarbonate	
<b>Package contents</b>	9W LED floodlight with sensor, wall plugs and screws	
<b>Product code</b>	Black Finish Cool White Light	<b>LSS0209WBL</b>

BEAM  
ANGLE 120°



900  
LUMENS

ADJUSTABLE  
TIME-DELAY  
& LUX LEVEL

IP44  
WEATHERPROOF

3 YEAR  
WARRANTY



# BAKRA FLOODLIGHT (11W)

Illuminate your outdoor space with the Bakra. The functional design casts a wide spread of light making outdoor spaces brighter and safer.



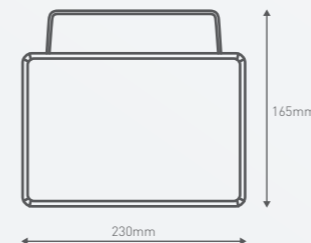
### Main applications

Ideal for driveways, secluded walkways, front and back porches

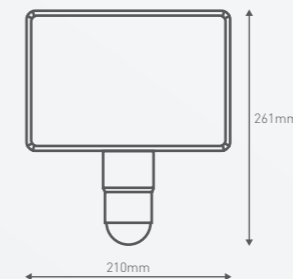
<b>Power</b>	11W	
<b>Lumen output</b>	Cool White	1,100 lm
<b>Efficacy</b>	Cool White	100 lm/W
<b>Colour temperature</b>	Cool White	4,000K
<b>CRI</b>	80+	
<b>Head swivel angle</b>	180° vertical (No sensor) 90° vertical (Sensor)	
<b>Lifespan</b>	15,000 h (No sensor) 30,000 h (Sensor)	
<b>Construction</b>	UV Resistant ABS Plastic aluminium heat sink	
<b>Sensor detection range/angle</b>	8m / 130°	
<b>Sensor time-delay adjustment</b>	10 (±5) seconds to 4 (±1) minutes	
<b>Sensor type</b>	Passive Infrared (PIR)	
<b>Sensor manual override</b>	No	
<b>Package contents</b>	LED floodlight with mounting brackets, wall plugs and screws	
<b>Product code</b>	Black Finish 11W	<b>LFL0213WBL</b>
	11W with PIR sensor	<b>LFS0214WBL</b>

BEAM ANGLE 105°

LFS0214WBL



LFL0213WBL



1100 LUMENS

ADJUSTABLE HEAD 180°

IP44 WEATHERPROOF

3 YEAR WARRANTY



# FORTA WORKLIGHTS (10W TO 40W)

Brighten up a work space on site, at home, in the garage or workshop with a high performing Forta LED worklight. Increase visibility and safety indoors or outdoors with this IP44 weatherproof rated range.



**Main applications**

..... Illuminating work spaces .....

**TIP**

Adjust height to suit any type of work

UP TO  
**3230**  
LUMENS

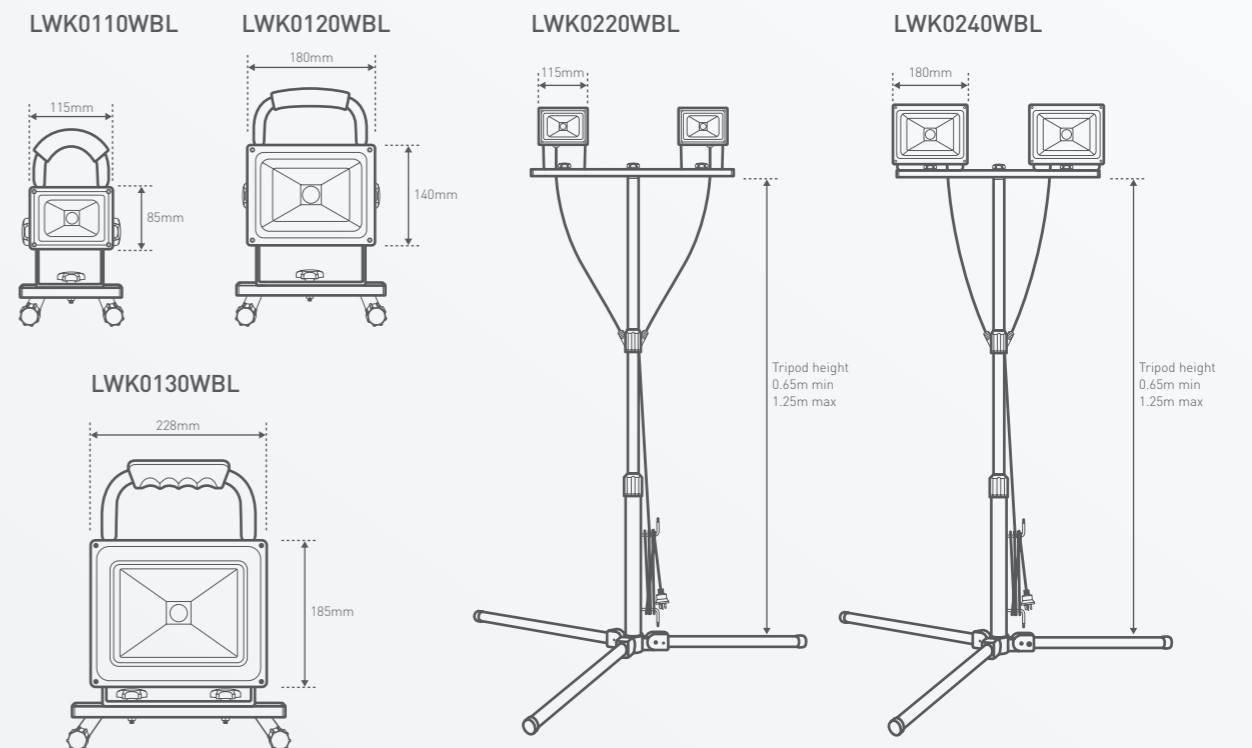
**IP44**  
WEATHERPROOF

**EASY**  
PLUG-IN

**3 YEAR**  
WARRANTY

<b>Power</b>		10W	20W	30W	2 x 10W	2 x 20W
<b>Lumen output</b>	Cool White	730 lm	1,615 lm	2,250 lm	2 x 730 lm	2 x 1,615 lm
<b>Efficacy</b>	Cool White	73 lm/W	80 lm/W	75 lm/W	73 lm/W	80 lm/W
<b>Colour temperature</b>	Cool White					4,000K
<b>CRI</b>	80+					
<b>Lifespan</b>	15,000 h					
<b>Construction</b>	Die-cast aluminium					
<b>Height adjustment</b>	Yes tripod					
<b>Head swivel angle</b>	180° vertical					
<b>Weatherproof rating</b>	IP44					
<b>Package contents</b>	LED worklight with flex and plug					

<b>Product code</b>	<b>Portable</b>	
	10W	LWK0110WBL
	20W	LWK0120WBL
	30W	LWK0130WBL
	<b>Tripods</b>	
	2 x 10W	LWK0220WBL
	2 x 20W	LWK0240WBL



# DIMMER COMPATIBILITY

LED FIXTURE RANGE	DIMMER TYPE	DIMMERS COMPATIBILITY	MAXIMUM LIGHTS PER DIMMER	DIMMING RANGE
DLI70 Downlights	Trailing edge only	400A3P	16	100%-1%
		400A2P	16	89%-7%
		250T	11	100%-7%
		400T	16	94%-8%
		700T	28	100%-15%
		1000T	40	100%-18%
AZA+ Downlights DLI90, DLI110, DLI125 & DLI150 Downlights	Trailing edge only	400A3P	12	100%-1%
		400A2P	12	97%-9%
		250T	8	100%-7%
		400T	12	100%-7%
		700T	21	100%-13%
Dalia Downlights Azalea Downlights Freesia Downlights Luna Panel Lights Calla Step Lights Zinnia Starlights	Trailing edge & leading edge	400A3P	8	100%-5%
		400A2P	8	100%-10%
		250T / 250L	5	100%-10%
		400T / 400L	8	100%-10%
		700T / 700L	14	100%-25%
		1000T / 1000L	20	100%-25%
DLS Downlights	Trailing edge only	400A3P	8	100%-10%
		400A2P	8	100%-10%
		250T	5	100%-10%
		400T	8	100%-10%
		700T	14	100%-25%
R80 Dimmable Globe	Trailing edge only	1000T	20	100%-25%
		400A3P	12	100%-1%
		400A2P	12	92%-10%
		250T	8	100%-7%
		400T	12	100%-8%

**Note:** Not all LED lights are dimmable, refer to product details to confirm suitability for dimming.



**LEGRAND EXCEL LIFE™**



**EM400A3P (3 wire)**  
**EM400A2P (2 wire)**  
Excel Life 400VA all load 2 & 3 wire electronic push-button dimmer mechanism  
**White:** EM400A3PWE  
EM400A2PWE  
**Urban Grey:** EM400A3PUG  
EM400A2PUG



**EM250T\***  
Excel Life 250VA 2 wire trailing edge rotary dimmer mechanism  
**White:** EM250TRWE  
**Urban Grey:** EM250TRUG



**EM400T\***  
Excel Life 400VA 2 wire trailing edge rotary dimmer mechanism  
**White:** EM400TRWE  
**Urban Grey:** EM400TRUG



**LEGRAND ARTEOR™**



**AR400A3P (3 wire)**  
**AR400A2P (2 wire)**  
Arteor 400VA all load 2 & 3 wire push-button dimmer mechanism  
**White:** AR400A3PMWE  
AR400A2PMWE  
**Magnesium:**  
AR400A3PMMGN  
AR400A2PMMGN



**AR400T / AR400L\***  
Arteor 400VA 2 wire rotary dimmer mechanism  
**White:** AR400TMWE  
AR400LMWE  
**Magnesium:** AR400TMMGN  
AR400LMMGN



**HPM LINEA™ AND EXCEL**



**400A2P (2 wire)**  
Excel or Linea and 400VA (2 wire) electronic push-button dimmer mechanism  
**White:** 400A2PWE



**250T / 250L\***  
Excel or Linea 250VA 2 wire rotary dimmer mechanism  
**White:** 250LMWE 250TMWE  
Also available in black & cream



**400T / 400L\***  
Excel or Linea 400VA 2 wire rotary dimmer mechanism  
**White:** 400TMWE 400LMWE  
Also available in black & cream



**700T / 700L\***  
Excel or Linea 700VA 2 wire rotary dimmer mechanism  
**White:** 700TMWE 700LMWE



**1000T / 1000L\***  
Excel or Linea 1000VA 2 wire rotary dimmer mechanism  
**White:** 1000TMWE 1000LMWE



**VIVO™**



**EVM400A3\* (3 wire)**  
**EVM400A2\* (2 wire)**  
VIVO 400VA all load 2 & 3 wire electronic push button dimmer mechanism  
**White:** EVM400A3WE,  
EVM400A2WE  
**Grey:** EVM400A3GR,  
EVM400A2GR

\*T = Trailing Edge, L = Leading Edge

# ACCESSORIES

## DOWNLIGHT EXTENSION PLATES

Cat No.	Image	Description
LEP120WE		Suitable for hole cut-outs up to Ø120mm
LEP150WE		Suitable for hole cut-outs up to Ø150mm

Suitable for: DLI90, AZA+, Dalia, Azalea, and DLS series

## LIGHTING SENSORS

### Passive infrared (PIR) sensor

Sensitive to a person's skin temperature through emitted body radiation, in contrast to background objects at room temperature. HPM range of sensors is suitable for both indoor and outdoor for various locations throughout the house including corridors, wardrobes, secluded walkways and garages.

Whether used for extra safety around the house or for convenience indoors, these deliver great energy savings all year round.

Cat No.	Image	Description	Finish	Manual override	IP Rating	Application	Mounting type	Detection range	Detection angle	Time delay
630S01BL		180° PIR Sensor	Black	No	IP44	Indoor/Outdoor	Wall Surface Mounted	12m	180°	8s to 7min
630S01WE		180° PIR Sensor	White	No	IP44	Indoor/Outdoor	Wall Surface Mounted	12m	180°	8s to 7min
630SM01BL		180° PIR Sensor	Black	Yes	IP44	Indoor/Outdoor	Wall Surface Mounted	12m	180°	8s to 7min
630SM01WE		180° PIR Sensor	White	Yes	IP44	Indoor/Outdoor	Wall Surface Mounted	12m	180°	8s to 7min
630S02WE		360° PIR Sensor	White	No	IP20	Indoor	Ceiling Surface mounted	8m	360°	10s to 10min
630R02WE		360° PIR Sensor	White	No	IP41	Indoor	Ceiling Surface mounted	8m	360°	10s to 10min
630R01WE		360° PIR Sensor	White	No	IP20	Indoor	Ceiling surface mounted	6m	360°	10s to 15min
488TRI3W		Triscan 3-Wire Pir Sensor	White	Yes	IP66	Outdoor	Wall Surface Mounted	8m	120°	8s to 15min

# INDEX OF PROTECTION

## 1. Protection against solid bodies and liquids: IP index of protection

Degrees of protection for enclosures of electrical equipment according to standards: IEC 60529, BS EN 60529 and NF EN 60529

### First digit:

#### Protection against solid bodies (See AS 1939, Clause 5)

IP	Tests	IP
0	No protection	
1	Protected against solid bodies larger than 50 mm (e.g. accidental contact with the hand)	A
2	Protected against solid bodies larger than 12.5 mm (e.g. finger)	B
3	Protected against solid bodies larger than 2.5 mm (e.g. tools, wires)	C
4	Protected against solid bodies larger than 1 mm (e.g. fine tools and small wires)	
5	Protected against dust (no harmful deposit)	D
6	Completely protected against dust	

### Second digit:

#### Protection of equipment against ingress of harmful liquids (See AS 1939, Clause 6)

IP	Tests	IP
0	No protection	
1	Protected against vertically-falling drops of water (condensation)	
2	Protected against drops of water falling at up to 15° from the vertical	
3	Protected against drops of rain water at up to 60° from the vertical	
4	Protected against projections of water from all directions	
5	Protected against jets of water (from all directions)	
6	Protected against jets of water of similar force to heavy seas	
7	Protected against the effects of immersion	
8	Protected against prolonged effects of immersion	

## 2. Protection IK, against mechanical impact.

According to standards: IEC 62262, BS EN 62262 and NF EN 62262

IK	Tests	Impact energy (in Joules)
IK 00		0
IK 01		0.15
IK 02		0.2
IK 03		0.35
IK 04		0.5
IK 05		0.7

IK	Tests	Impact energy (in Joules)
IK 06		1
IK 07		2
IK 08		5
IK 09		10
IK 10		20

• This table can be used to ascertain the resistance of a product to an impact given in Joules from the IK code (graduated from 00 to 10)

# LED LIGHTING GLOBES



**NEW**

# A60 LED GLOBES T-SHAPE (12W TO 19W)

Great for living rooms with low ceilings where you don't quite want a pendant, but you want more than just a globe. But if change your mind and want to make more of a feature of this contemporary T-shape globe, then simply add it to a pendant!

**TIP**

Ideal for pendant kits and batten holders



BAYONET B22 (BC)



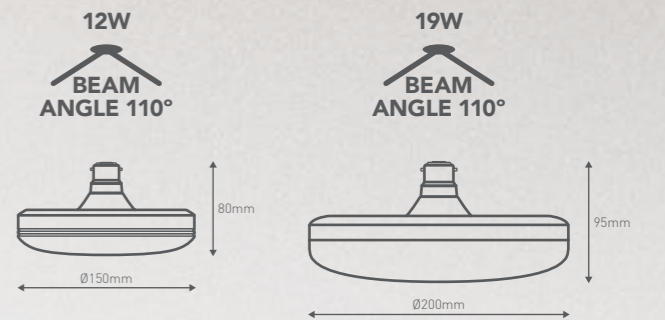
UP TO  
**1700**  
LUMENS

MAXIMUM EFFICACY  
UP TO 91lm/W

**BAYONET B22**

**3 YEAR WARRANTY**

<b>Power</b>	12W	19W
<b>Lumen output</b>	Warm White 1,100 lm	1,700 lm
<b>Efficacy</b>	Warm White 91 lm/W	89 lm/W
<b>Colour temperature</b>	Warm White	3,000K
<b>CRI</b>	80+	
<b>Lifespan</b>	20,000 h	
<b>Base</b>	Bayonet B22	
<b>Package contents</b>	A60 LED Globe 12W or 19W, mounted with Bayonet B22 base	
<b>Product code</b>	<p><b>12W Globe</b> Warm White BC <b>LT150013KBC</b></p> <p><b>19W Globe</b> Warm White BC <b>LT200013KBC</b></p>	



# A60 LED DIMMABLE GLOBES (8W)

**NEW**

Where you want a warm light, these are ideal. They emit up to 875 lumens on a mere 8W. They're perfect in living areas, bedrooms, and hallways and create moody ambience

**875 LUMENS**

**MAXIMUM EFFICACY UP TO 109lm/W**

**B22 + E27 OPTIONS**

**3 YEAR WARRANTY**

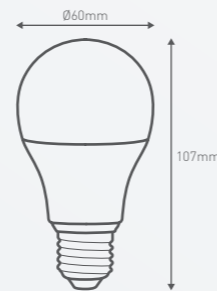
<b>Power</b>	8W	
<b>Lumen output</b>	Warm White	875 lm
<b>Efficacy</b>	Warm White	109 lm/W
<b>Colour temperature</b>	Warm White	3,000K
<b>CRI</b>	80+	
<b>Dimming</b>	Trailing edge dimmers	
<b>Lifespan</b>	25,000 h	
<b>Base</b>	Bayonet B22   Edison E27	
<b>Package contents</b>	A60 LED Dimmable Globe 8W, mounted with Bayonet B22 or Edison E27 base	
<b>Product code</b>	<b>8W Globes</b>	
	Warm White BC	<b>LA60023KBCD</b>
	Warm White ES	<b>LA60023KESD</b>



BAYONET B22 (BC)

EDISON E27 (ES)

**BEAM ANGLE 125°**



# A60 LED GLOBES (5W TO 8W)

These are great energy-savers. They emit up to 1,035 lumens on a mere 8W. They're perfect in living rooms, bedrooms, and hallways. Start slashing your energy bills. And help the planet too.

**UP TO 1035 LUMENS**

**MAXIMUM EFFICACY UP TO 129lm/W**

**B22 + E27 OPTIONS**

**3 YEAR WARRANTY**

<b>Power</b>	5W	8W
<b>Lumen output</b>	Warm White 490 lm Cool White 520 lm	945 lm 1,035 lm
<b>Efficacy</b>	Warm White 98 lm/W Cool White 104 lm/W	118 lm/W 129 lm/W
<b>Colour temperature</b>	Warm White Cool White	3,000K 4,000K
<b>CRI</b>	80+	
<b>Lifespan</b>	25,000 h	
<b>Base</b>	Bayonet B22   Edison E27	
<b>Package contents</b>	A60 LED Globe 5W or 8W, mounted with Bayonet B22 or Edison E27 base	
<b>Product code</b>	<b>5W Globes</b>	
	Warm White BC	<b>LA60013KBC</b>
	Warm White ES	<b>LA60013KES</b>
	Cool White BC	<b>LA60014KBC</b>
	Cool White ES	<b>LA60014KES</b>
	<b>8W Globes</b>	
	Warm White BC	<b>LA60023KBC</b>
	Warm White ES	<b>LA60023KES</b>
	Cool White BC	<b>LA60024KBC</b>
	Cool White ES	<b>LA60024KES</b>

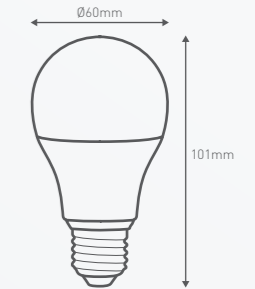


BAYONET B22 (BC)

EDISON E27 (ES)

**5W BEAM ANGLE 135°**

**8W BEAM ANGLE 175°**



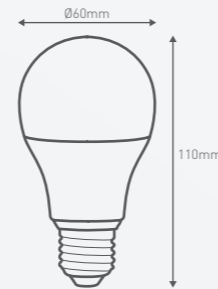


# A60 INSECT LED GLOBES (5W)

Ideal for living areas and undercover outdoor areas with its yellow light output deters insects.



<b>Power</b>	5W	
<b>Lumen output</b>	460 lm	
<b>Efficacy</b>	92 lm/W	
<b>Light Colour</b>	Yellow	
<b>Lifespan</b>	25,000 h	
<b>Base</b>	Bayonet B22   Edison E27	
<b>Package contents</b>	A60 LED Globe 5W mounted with Bayonet B22 or Edison E27 base	
<b>Product code</b>	BC	<b>LA6001BUGBC</b>
	ES	<b>LA6001BUGES</b>



### Main applications

Specially turned colour filter so that light is less attractive to insects



BAYONET B22 (BC)

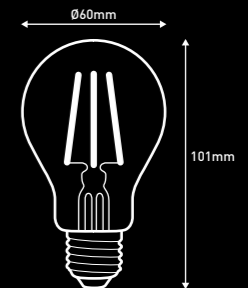
EDISON E27 (ES)

# A60 FILAMENT LED GLOBES (3.7W)

Add a touch of modern industrial to restaurants and bars with our filament globes. Or create that café atmosphere in your home by placing these above your kitchen bench. Great on their own, or complimented with a caged or clear glass shade, giving the perfect warm ambiance.



<b>Power</b>	3.7W	
<b>Lumen output</b>	Warm White	500 lm
<b>Efficacy</b>	Warm White	135 lm/W
<b>Colour temperature</b>	Warm White	3,000K
<b>CRI</b>	80+	
<b>Lifespan</b>	10,000 h	
<b>Base</b>	Bayonet B22   Edison E27	
<b>Package contents</b>	A60 filament LED Globe 3.7W mounted with Bayonet B22 or Edison E27 base	
<b>Product code</b>	Warm White BC	<b>LA6001FILBC</b>
	Warm White ES	<b>LA6001FILES</b>



### TIP

Ideal for pendants and chandeliers



BAYONET B22 (BC)

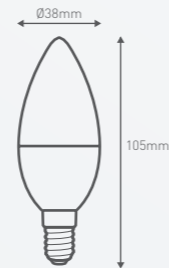
EDISON E27 (ES)

# CANDLE LED GLOBES (5W)

Ideal for mood lighting especially in pendant lights or exposed fixtures like chandeliers.

<b>UP TO 560 LUMENS</b>	<b>Power</b>	5W
<b>EDISON E14</b>	<b>Lumen output</b>	Warm White 560 lm
<b>3 YEAR WARRANTY</b>	<b>Efficacy</b>	Warm White 112 lm/W
	<b>Colour temperature</b>	Warm White 3,000K
	<b>CRI</b>	80+
	<b>Base</b>	Edison Screw E14
	<b>Package contents</b>	Candle 5W mounted with Edison E14 Base
	<b>Product code</b>	5W Warm White SES <b>LCA023KSES</b>

BEAM ANGLE 180°



EDISON E14 (SES)

**Main applications**

Chandeliers, table lamps and various luminaires

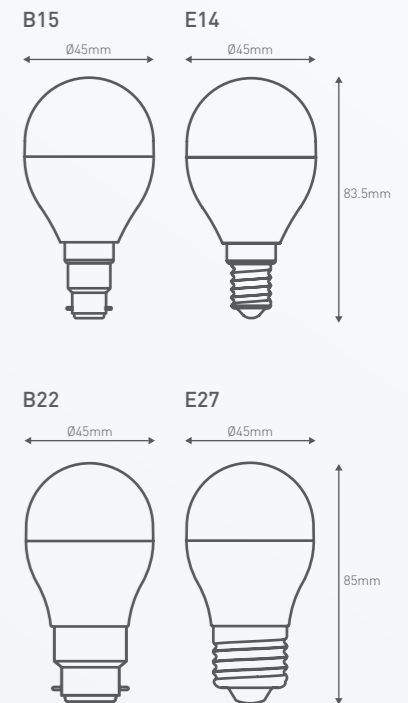
# G45 LED GLOBES (4W)

**NEW**

The G45 globe fits a standard Australian bayonet (B22) or screw-in (E27) light fitting so it is great to use where a normal size globe won't fit. It's ideal for a wide variety of lighting décors; from café and restaurant interiors to home or office decor lighting.

<b>UP TO 420 LUMENS</b>	<b>Power</b>	4W
<b>MAXIMUM EFFICACY UP TO 105lm/W</b>	<b>Lumen output</b>	Warm White 420 lm
<b>B22 + E27 OPTIONS</b>	<b>Efficacy</b>	Warm White 105 lm/W
<b>3 YEAR WARRANTY</b>	<b>Colour temperature</b>	Warm White 3,000K
	<b>CRI</b>	80+
	<b>Lifespan</b>	25,000 h
	<b>Base</b>	Bayonet B15/B22 Edison E14/E27
	<b>Package contents</b>	G45 LED Globe 4W, mounted with Bayonet B15/B22 or Edison E14/E27 base
	<b>Product code</b>	<b>4W Globes Bayonet</b> Warm White B15 <b>LG45013KSBC</b> Warm White B22 <b>LG45013KBC</b> <b>4W Globes Edison</b> Warm White E14 <b>LG45013KSES</b> Warm White E27 <b>LG45013KES</b>

BEAM ANGLE 150°



EDISON E14 (ES)

BAYONET B15 (BC)

# PAR38 LED GLOBE (14W)

Update your existing floodlights with the latest in energy-saving PAR 38 globes. These beauties beam 1,100 glorious lumens from a tidy 14W and have a potential lifespan of 30,000 hours.

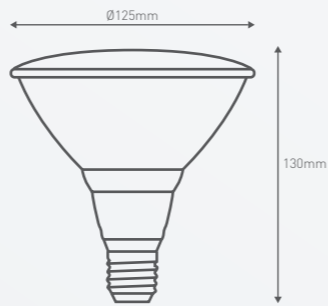
**1800 LUMENS**

**EDISON E27**

**3 YEAR WARRANTY**

<b>Power</b>	14W	
<b>Lumen output</b>	Warm White	1,100 lm
<b>Efficacy</b>	Warm White	78 lm/W
<b>Colour temperature</b>	Warm White	3,000K
<b>CRI</b>	80+	
<b>Lifespan</b>	30,000 h	
<b>Base</b>	Edison E27	
<b>Package contents</b>	PAR38 Globe 14W mounted with Edison E27 base	
<b>Product code</b>	Warm White ES	<b>LPAR38013K</b>

**BEAM ANGLE 120°**



EDISON E27 (ES)

# PAR38 LED GLOBE (8W) NEW

...And now in matt black finish

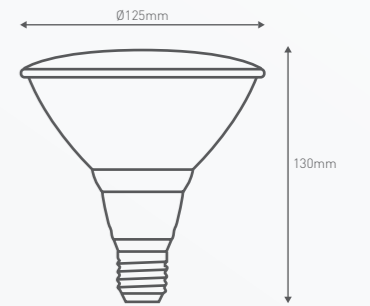
**800 LUMENS**

**EDISON E27**

**3 YEAR WARRANTY**

<b>Power</b>	8W	
<b>Lumen output</b>	Cool White	800 lm
<b>Efficacy</b>	Cool White	100 lm/W
<b>Colour temperature</b>	Cool White	4,000K
<b>CRI</b>	80+	
<b>Lifespan</b>	30,000 h	
<b>Base</b>	Edison E27	
<b>Package contents</b>	PAR38 Globe 8W mounted with Edison E27 base	
<b>Product code</b>	Cool White ES	<b>LPAR38024KES</b>

**BEAM ANGLE 110°**



EDISON E27 (ES)

# GU10 LED GLOBES (5W)

This globe is an ideal upgrade of existing GU10 halogen downlights with a low 5W power consumption.

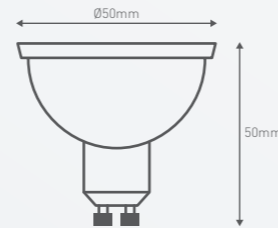
UP TO  
**500**  
LUMENS

MAXIMUM EFFICIENCY  
UP TO 100lm/W

**3 YEAR**  
WARRANTY

<b>Power</b>	5W	
<b>Lumen output</b>	Warm White	460 lm
	Cool White	500 lm
<b>Efficacy</b>	Warm White	92 lm/W
	Cool White	100 lm/W
<b>Colour temperature</b>	Warm White	3,000K
	Cool White	4,000K
<b>CRI</b>	80+	
<b>Lifespan</b>	15,000 h	
<b>Base</b>	GU10	
<b>Package contents</b>	5W LED Globe with GU10 base	
<b>Product code</b>	<b>5W LED Globes</b>	
	Warm White	<b>LGU10013K</b>
	Cool White	<b>LGU10014K</b>

**BEAM**  
ANGLE 65°



#### Main applications

Perfect upgrade of existing GU10 halogen fixtures

# MAGNETIC TRANSFORMER

**NEW**

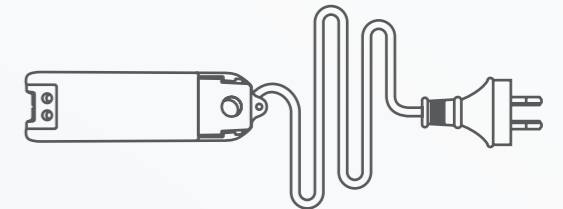


SUITABLE  
FOR MR16  
LAMPS/  
DOWNLIGHTS



**3 YEAR**  
WARRANTY

<b>Input voltage</b>	220-240V a.c.	
<b>Input power</b>	Full load	21W
	No load	0.5W
<b>Output power</b>	Full load	12V a.c. 15VA
	No load	16V a.c.
<b>Package contents</b>	Transformer with 1.8m flex lead and plug	
<b>Product code</b>	<b>LMT0115W</b>	



#### TIP

Significantly reduces the possibility of flashing and flickering of MR16 LED lamps



# LED GARDEN LIGHTING 12V



# LED GARDEN LIGHTING BENEFITS

When installing LED lights, you do not need to use a transformer with a high wattage rating. If you have chosen lights that aren't available in a kit form (i.e including a transformer or a cable), a HPM LED lighting installation pack is ideal for your needs.

When you reduce your overall energy consumption, you significantly increase the total number of lights you can add to your transformer. This makes it easier to install more lights when you wish to update the look of your garden.

It is important to choose a transformer that is suitable for your lighting system – refer transformer selection chart page (158-159).

HPM Garden lighting products pair nicely with:



AQUA SWITCHES



EXCEL LIFE WEATHERPROOF SWITCHES

# SIMPLE 3 STEP GARDEN LIGHT CONFIGURATION

## DIY STEP 1

### CHOOSE YOUR LIGHTS

Mix & match styles. You can add LED and halogen lights on the same cable

## DIY STEP 2

### CHOOSE A TRANSFORMER\*

Add up the wattage of the lights you have selected, then choose a transformer with a wattage higher than the total wattage of your lights

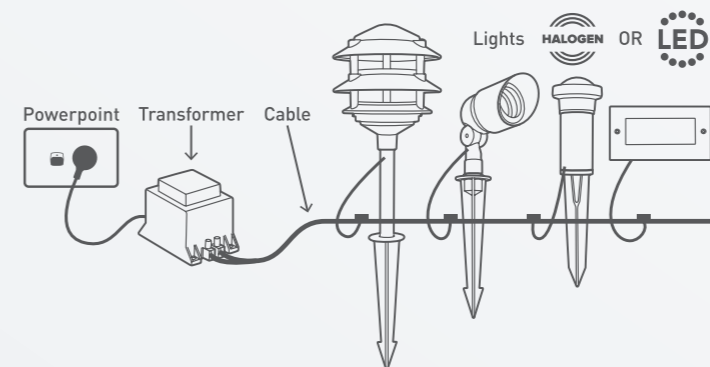
## DIY STEP 3

### CHOOSE A CABLE

The selection chart on the HPM cable range packaging will help you determine the best cable for your installation



## INSTALLATION EXAMPLE



**\*IMPORTANT:**

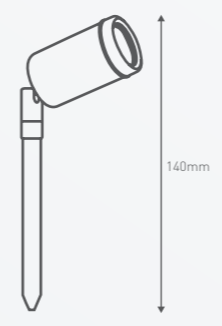
- For a 60VA transformer you can use up to 60W of halogen lamps or 30W of LED lamps.
- If mixing halogen and LED globes then follow equation below to determine the right size transformer:  
 $(\text{Number of LED globes} \times \text{wattage} \times 2) + (\text{Number of halogen globes} \times \text{wattage}) = \text{total wattage of required transformer}$
- Always choose a transformer of higher rating than the total load of all lights put together.

# GARDEN SPIKE LED SPOTLIGHT (12V)

A stunning spotlight made from 304 grade stainless steel – which means it's quality, not a painted fakey. Use it to highlight your garden gems. Day or night, it will flaunt your eye for style.



<b>Power</b>	1W
<b>Nominal voltage</b>	12V
<b>Globe type</b>	LED
<b>Construction</b>	Solid 304 grade Stainless Steel
<b>Package contents</b>	1 x light fixtures with 0.3m cable and connector
<b>Requires</b>	12V transformer and cable (not included in pack and sold separately)
<b>Weight</b>	0.5kg
<b>Adjustable head</b>	Yes
<b>Product code</b>	Silver Finish <b>GLLEDSLSS</b>



**1 WATT**

**SOLID 304 GRADE STAINLESS STEEL**

**1 YEAR WARRANTY**



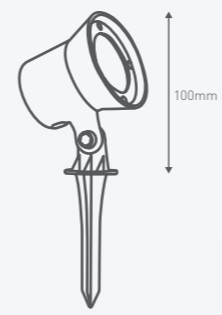
# GARDEN SPOT

LED SPOTLIGHT (12V)

This is another great spotlight for the eco-conscious. And rather handsome too. We wonder what you'll be spotlighting: a favourite shrub, a mosaic feature wall, or secret reading nook.



<b>Power</b>	1W
<b>Nominal voltage</b>	12V
<b>Globe type</b>	LED
<b>Construction</b>	Black die-cast housing
<b>Package contents</b>	1 x Light fixture with 0.3m cable and connector 1 x Durable plastic stake
<b>Requires</b>	12V transformer and cable (not included in pack and sold separately)
<b>Weight</b>	0.320kg
<b>Adjustable head</b>	Yes
<b>Product code</b>	Black Finish <b>GLLEDSLBL</b>



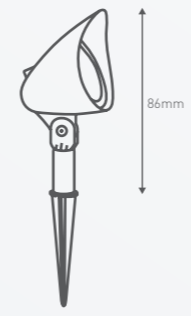


# GARDEN CONE LED SPOTLIGHT (12V)

We love the cone shaped head on this spotlight. It has a distinctive character and consumes surprisingly little energy. Our stylish, eco-conscious friends, this is one for you.

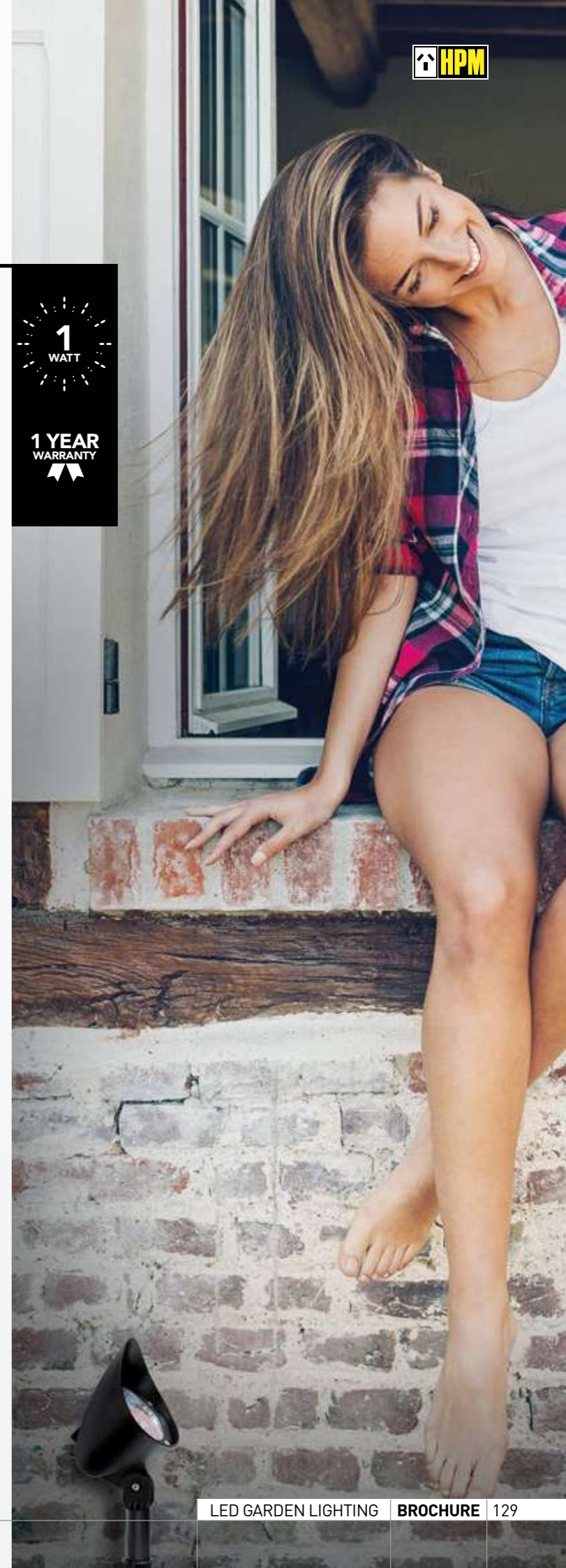


<b>Power</b>	1W
<b>Nominal voltage</b>	12V
<b>Globe type</b>	LED
<b>Construction</b>	Black die-cast housing
<b>Package contents</b>	1 x Light fixture with 0.3m cable and connector 1 x Durable plastic stake
<b>Requires</b>	12V transformer and cable (not included in pack and sold separately)
<b>Adjustable head</b>	Yes
<b>Product code</b>	Black Finish <b>RGLLSP1M2</b>



**1 WATT**

**1 YEAR WARRANTY**



**NEW**

**DIY STEP 1** THE LILO - SQUARE LED SPOTLIGHT (12V)

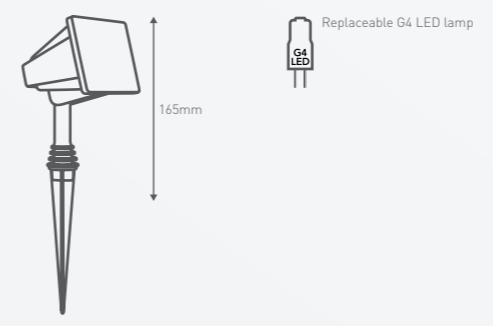
If you want precise illumination and longevity in performance, our Lilo square will not disappoint. It's all about using contemporary lines and angles to make a statement. This sleek and square spotlight is designed with an ultra-modern look and feel.

**TIP**

Heavy duty construction



<b>Power</b>	1W
<b>Nominal voltage</b>	12V
<b>Globe type</b>	G4 LED lamp
<b>Construction</b>	Aluminium powdercoated
<b>Package contents</b>	1 x Light fixture with 0.3m cable and connector 1 x Ground stake 1 x Adjustable "U" clamp with screws 1 x G4 LED lamp
<b>Requires</b>	12V transformer and cable (not included in pack and sold separately)
<b>CRI</b>	80+
<b>Weight</b>	6.208kg
<b>Adjustable head</b>	Yes
<b>Light colour</b>	Warm White (2,700K) nominal
<b>Wiring connection</b>	Jaw lock connection
<b>Product code</b>	Black Finish <b>GLLED003</b>



**1 WATT**

**IP44 WEATHERPROOF**

**1 YEAR WARRANTY**



**NEW**

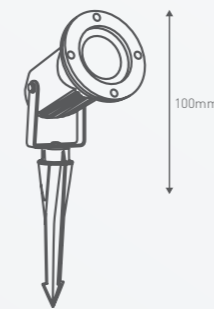
**DIY STEP 1** THE LILO - ROUND LED SPOTLIGHT (12V)

This LED is made to jazz up any space or nook you point it to, and will add a splash of retro with its disco-like finish. Go bold, go cheeky and go eco-friendly with this Lilo round spotlight.

**TIP**  
Heavy duty construction



<b>Power</b>	3W
<b>Nominal voltage</b>	12V
<b>Globe type</b>	LED
<b>Construction</b>	Aluminium powder-coated
<b>Package contents</b>	1 x Light fixture with 0.3m cable and connector 1 x Ground stake 1 x Adjustable "U" clamp with screws
<b>Requires</b>	12V transformer and cable (not included in pack and sold separately)
<b>CRI</b>	80+
<b>Adjustable head</b>	Yes
<b>Light colour</b>	Warm White (3,000K) nominal
<b>Lumens</b>	200 lm
<b>Lifespan</b>	10,000 h
<b>Product code</b>	Black Finish <b>GLLED004</b>



**NEW**

**DIY STEP 1** THE LILO - HOODED LED SPOTLIGHT (12V)

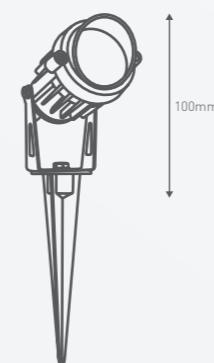
This is Lilo's most powerful and versatile spotlight. With a 5W light source, a durable construction and a tough exterior hood, we give this spotlight a 10/10 for reliability. The beam angle of 65° will allow you to point it in many directions and get ultra-creative with your outdoor light play.

**TIP**

Heavy duty construction



<b>Power</b>	5W
<b>Nominal voltage</b>	12V
<b>Globe type</b>	LED
<b>Construction</b>	Aluminium powder-coated
<b>Package contents</b>	1 x Light fixture with 0.3m cable and connector 1 x Ground stake 1 x Adjustable "U" clamp with screws 1 x G4 LED lamp
<b>Requires</b>	12V transformer and cable (not included in pack and sold separately)
<b>CRI</b>	80+
<b>Adjustable head</b>	Yes
<b>Light colour</b>	Warm White (3,000K) nominal
<b>Lumens</b>	200 lm
<b>Mounting</b>	Metal bracket / plastic ground stake
<b>Wiring connection</b>	Jaw lock connection
<b>Lifespan</b>	10,000 h
<b>Product code</b>	Black Finish <b>GLLED006</b>



**5 WATTS**

**IP55 WEATHERPROOF**

**1 YEAR WARRANTY**



**NEW**

**DIY**  
STEP 1

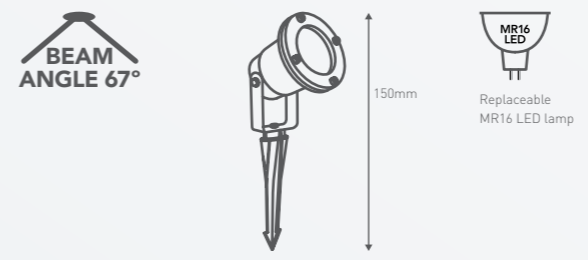
# THE TULI LED POND SPOTLIGHT (12V)

Sprinkle these around your pond and create your own fantasy garden. Tuli is a lightweight spotlight that will not only bring out the green in your garden, but also leave a green footprint with her excellent use of energy.

**TIP**  
Can be used above and below water



<b>Power</b>	4.5W
<b>Nominal voltage</b>	12V
<b>Globe type</b>	4.5W MR16 LED
<b>Construction</b>	Brass and Nickel plated
<b>Package contents</b>	1 x Light fixture with 2.9m cable and connector 1 x Ground stake 1 x Adjustable "U" clamp with screws 1 x 4.5W MR16 LED lamp
<b>Requires</b>	12V transformer and cable (not included in pack and sold separately)
<b>CRI</b>	80+
<b>Adjustable head</b>	Yes
<b>Light colour</b>	Warm White (3,000K) nominal
<b>Lumens</b>	370 lm
<b>Mounting</b>	Metal bracket / plastic ground stake
<b>Wiring connection</b>	Jaw lock connector
<b>Lifespan</b>	25,000 h
<b>Product code</b>	Black Finish <b>GLLED007</b> Brass Finish <b>GLLED008</b>



**4.5 WATTS**

**IP68**  
SUBMERSIBLE

**1 YEAR WARRANTY**



NEW

Sprinkle these around your pond and create your own fantasy garden, but don't let her small size fool you. The miniature Tuli is an extra-small spotlight as powerful as her big sister Tuli.

TIP

Can be used above and below water



4 PACK - GLLED009

<b>Power</b>	3.5W								
<b>Nominal voltage</b>	12V								
<b>Globe type</b>	3.5W MR16 LED								
<b>Construction</b>	Aluminium								
<b>Package contents</b>	1 x Light fixture with 2.75m cable and connector 1 x Ground stake 1 x Adjustable "U" clamp with screws 1 x 3.5W MR16 LED lamp								
<b>Requires</b>	12V transformer and cable (not included in pack and sold separately)								
<b>CRI</b>	80+								
<b>Adjustable head</b>	Yes								
<b>Light colour</b>	Warm White (3,000K) nominal								
<b>Lumens</b>	260 lm								
<b>Mounting</b>	Metal bracket / Plastic ground stake								
<b>Wiring connection</b>	Jaw lock connection								
<b>Lifespan</b>	25,000 h								
<b>Product code</b>	<table border="0"> <tr> <td><b>Single Product</b></td> <td></td> </tr> <tr> <td>Black Finish</td> <td><b>GLLED005</b></td> </tr> <tr> <td><b>4 Pack</b></td> <td></td> </tr> <tr> <td>Black Finish</td> <td><b>GLLED009</b></td> </tr> </table>	<b>Single Product</b>		Black Finish	<b>GLLED005</b>	<b>4 Pack</b>		Black Finish	<b>GLLED009</b>
<b>Single Product</b>									
Black Finish	<b>GLLED005</b>								
<b>4 Pack</b>									
Black Finish	<b>GLLED009</b>								



BEAM ANGLE 93°



115mm



MR16 LED  
Replaceable MR16 LED lamp

3.5 WATTS

IP68 SUBMERSIBLE

1 YEAR WARRANTY



**DIY**  
STEP 1

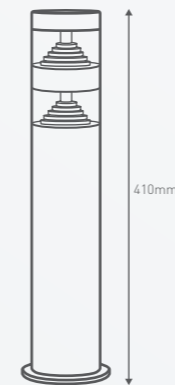
# STARGATE

LED BOLLARD (12V)

Strong and regal for the contemporary era, these Stargate bollards are made from hefty 304 grade stainless steel for long-lasting durability. They will impress any and every visitor.



<b>Power</b>	8W
<b>Nominal voltage</b>	12V
<b>Globe type</b>	LED lamp
<b>Construction</b>	304 Grade Stainless Steel
<b>Package contents</b>	1 x Bollard with 0.3m cable and connector
<b>Requires</b>	12V transformer and cable (not included in pack and sold separately)
<b>Weight</b>	0.7kg
<b>Light colour</b>	Warm White (3,000K) nominal
<b>Product code</b>	Silver finish <b>RGL1215</b>



With its cylindrical contemporary curves and strong regal presence, our Cacto Bollard will light up your path with confidence. Its IP rating of 54 and LED globe mean that Cacto is the ideal pathlight for water resistance, durability and long-lasting performance. The stainless steel finish completes this elegant eye-catcher nicely!

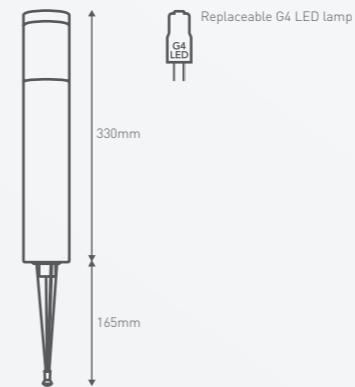


**Main applications**

..... Pathways and driveways .....



<b>Power</b>	1W
<b>Nominal voltage</b>	12V
<b>Globe type</b>	G4 LED lamp
<b>Construction</b>	304 Grade Stainless Steel
<b>Package contents</b>	1 x Bollard with 0.3m cable and connector 1 x Ground stake 1 x G4 LED lamp
<b>Requires</b>	12V transformer and cable (not included in pack and sold separately)
<b>Light colour</b>	Warm White (2,700K) nominal
<b>Lumens</b>	100 lm
<b>Mounting</b>	Plastic ground stake
<b>Wiring connection</b>	Jaw lock connection
<b>Lifespan</b>	6,000 h
<b>Product code</b>	Silver finish <b>RGLLED001</b>



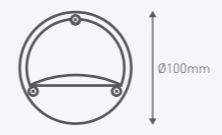


# ROUND LED WALL LIGHT 2 PACK (12V)

A classic, matt black D.I.Y round wall light. Echoing marine style design, it's great for those who find straight lines boring. Add them to landscaped areas and driveways for visibility and safety.



<b>Power</b>	0.5W (per light)	
<b>Nominal voltage</b>	12V	
<b>Globe type</b>	LED lamp	
<b>Construction</b>	Aluminium and glass	
<b>Package contents</b>	2 x LED round wall lights with 0.3m cable and connector	
<b>Requires</b>	12V transformer and cable (not included in pack and sold separately)	
<b>Weight</b>	0.5kg	
<b>Product code</b>	Matt Black finish	<b>RGLBW2</b>



**0.5 WATTS PER LIGHT**

**IP44 WEATHERPROOF**

**1 YEAR WARRANTY**



**NEW**

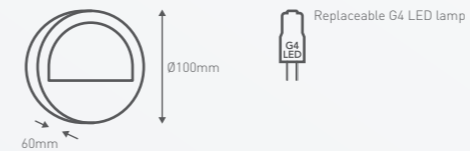
**DIY**  
STEP 1

**ROSI** LED WALL AND STEP LIGHT (12V)

Add an inviting glow to each step you take with Rosi. This LED Steplight is ideal for adding extra safety to those 'hard to tread', providing drops of illumination wherever you wish. Rosi also amplifies those hidden and drab areas, bringing out a whole new beauty to your landscape design.



<b>Power</b>	1W
<b>Nominal voltage</b>	12V
<b>Globe type</b>	G4 LED lamp
<b>Construction</b>	Corrosion resistant 304 grade Stainless Steel
<b>Package contents</b>	1 x LED round wall light with 0.3m cable and connector 1 x 1W G4 LED lamp
<b>Requires</b>	12V transformer and cable (not included in pack and sold separately)
<b>Light colour</b>	Warm White (2,700K) nominal
<b>Lumens</b>	100 lm
<b>Lifespan</b>	6,000 h
<b>Product code</b>	Silver finish



**1 WATTS**

**IP54 WEATHERPROOF**

**1 YEAR WARRANTY**



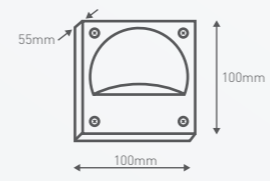
# SQUARE

LED WALL AND DECK LIGHT (12V)

With a peeping eyelid style design, this 12V wall light creates an interesting light spread in a downward direction. Line a few up along exterior walls for directional light and atmosphere.



<b>Power</b>	0.5W
<b>Nominal voltage</b>	12V
<b>Globe type</b>	LED lamp
<b>Construction</b>	Aluminium and glass
<b>Package contents</b>	1 x LED square wall light with 0.3m cable and connector
<b>Requires</b>	12V transformer and cable (not included in pack and sold separately)
<b>Weight</b>	0.268kg
<b>Product code</b>	Satin Silver finish <b>RGLSSW1</b>



**0.5 WATTS**

**IP44 WEATHERPROOF**

**1 YEAR WARRANTY**



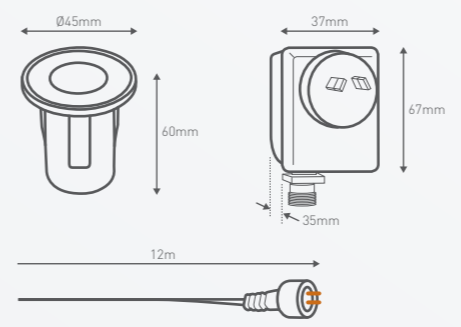
# FLORA

LED DECK LIGHT KIT 4 PACK (12V)

Constructed in a brushed stainless steel finish, this kit has everything you need to illuminate your outdoor space and with just the right lighting. Sleek and modern in design, these cylinder-shaped lights nestle seamlessly into patio floors, verandahs, or entryways. Connect up to 25 deck lights on one driver kit and be assured installation is simple!



<b>Power</b>	0.3W (per light)
<b>Nominal voltage</b>	12V
<b>Globe type</b>	LED lamp
<b>Construction</b>	<b>Aluminium</b> Stainless Steel and glass
<b>Package contents</b>	4 x Deck lights 8 x Cable connector locking plugs 1 x 30mm cutting template 1 x 8.4W Transformer 1 x 12m Extra low voltage cable
<b>Weight</b>	4 x 0.2kg
<b>Cut-out</b>	Ø30mm
<b>Light colour</b>	White light
<b>Product code</b>	Brushed Stainless Steel finish <b>RGLKRSLD4</b>



**0.3**  
WATTS  
PER LIGHT

**IP44**  
WEATHERPROOF

**1 YEAR**  
WARRANTY



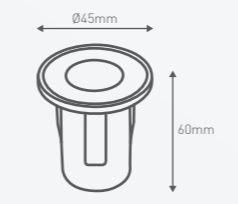
# FLORA

LED DECK LIGHT 4 PACK (12V)

Enliven the edges of your deck and steps with these easy D.I.Y lights. With an LED light source they are safe to touch, so little ones are free from any burning harm. Safe, simple, stunners.



<b>Power</b>	0.3W (per light)
<b>Nominal voltage</b>	12V
<b>Globe type</b>	LED lamp
<b>Construction</b>	Aluminium, Stainless Steel and glass
<b>Package contents</b>	4 x Deck lights with cable connector locking plugs
<b>Requires</b>	1 x 10W Transformer 1 x Standard duty 0.5mm cable (not included in pack and sold separately)
<b>Weight</b>	4 x 0.5kg
<b>Cut-out</b>	Ø30mm
<b>Light colour</b>	White light
<b>Product code</b>	Brushed Stainless Steel finish <b>RGLKRSLD24</b>



**0.3**  
WATTS  
PER LIGHT

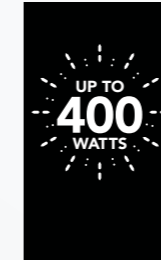
**IP44**  
WEATHERPROOF

**1 YEAR**  
WARRANTY



# 12V TRANSFORMERS

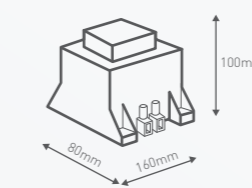
When installing 12V garden lights, a transformer is required to reduce the 240V mains voltage to the extra low voltage (12V) used by HPM D.I.Y. garden lights. Transformer selection is simple – just add up the total wattage of the garden lights in your installation and choose the next highest rating for your transformer. For example, 10W light + 20W light + 10W light + 10W light = 50W.



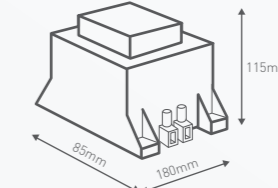
<b>Maximum wattage</b>	60W   105W   150W   200W   400W
<b>Maximum load</b>	60VA - 400VA models
<b>Nominal voltage</b>	12V
<b>Resetting thermal overload protection</b>	Yes
<b>Product code</b>	60W <b>RGLTR60</b> 105W <b>RGLTR105</b> 150W <b>RGL11</b> 200W <b>RGLTR220</b> 400W <b>RGLTR400 (IP64)</b>



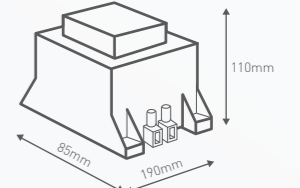
RGLTR60



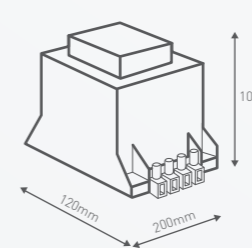
RGLTR105



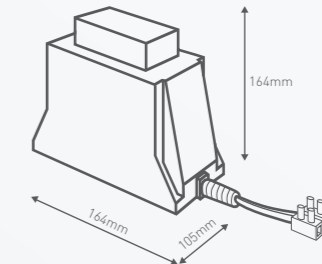
RGL11



RGLTR220



RGLTR400



# DIY STEP 2 12V TRANSFORMERS WITH INTEGRATED TIMERS & SENSORS



## LED INSTALLATION PACK

A handy D.I.Y LED garden light installation pack including 10m of cable and a 10VA transformer.



## TRANSFORMER WITH SENSOR

Our HPM 12V Dusk to Dawn Timer with Sensor will automatically switch on garden lights at dusk and switch them off at dawn. Enjoy an easy and safe installation.

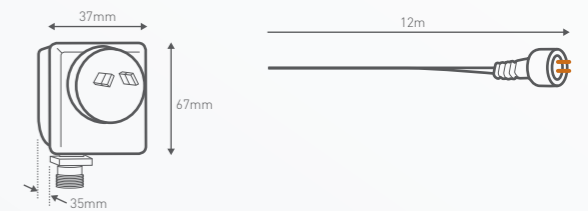


## TRANSFORMER WITH TIMER

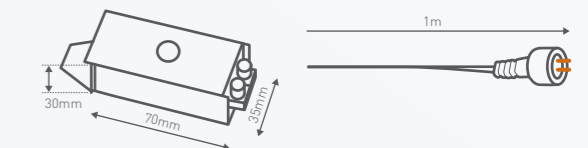
Come home late to a beautifully lit garden. Add a sunset timer to your D.I.Y garden light installation and enjoy the convenience of automation.



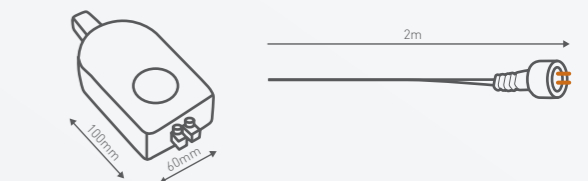
LED INSTALLATION PACK	
Maximum wattage	10W
Nominal voltage	12V
Weatherproof rating	IP56
Resetting thermal overload protection	Yes
Cable length	12m
Colour	Black
Weight	0.95kg
Product code	<b>RGLPCTAW20</b>



TRANSFORMER WITH SENSOR	
Maximum wattage	150W
Nominal voltage	12V
Weatherproof rating	IP44
Automatic switch	Yes
UV Resistant	Yes
Weight	0.203kg
Colour	Black
Product code	<b>DGLS150</b>



TRANSFORMER WITH TIMER	
Maximum wattage	200W
Weatherproof rating	IP44
Automatic switch	Yes
Weight	0.350kg
Colour	Black
Product code	<b>RGL10</b>



# GARDEN LIGHTING CABLES AND TRANSFORMERS CONFIGURATION CHART

## IMPORTANT INFORMATION

THE TOTAL WATTAGE OF GARDEN LIGHTING MUST NOT EXCEED THE MAXIMUM WATTAGE OF THE TRANSFORMER

RANGE	PRODUCT CODE	MAXIMUM WATTAGE	IP RATING	COMMENTS
Outdoor transformers	RGLPCTAW20	10W	IP67	Featured with resetting thermal overload protection which shuts down the system if overheated. Restart when it gets cool. Kit suitable for deck lights. Comes with 12 metres of AW20 gauge narrow extra low voltage.
	RGLTR60	60W	IP56	Featured with resetting thermal overload protection which shuts down the system if overheated. Restart when it gets cool.
	RGLTR105	105W		
	RGL11	150W		
	RGLTR220	220W	IP64	
	RGLTR400	400W		



RANGE	PRODUCT CODE	MAXIMUM WATTAGE	AUTOMATED SWITCH	UV RESISTANT	IP RATING	INSTALLATION	COMMENTS
Transformers with integrated timers and sensors	DGLS150	150W	No	Yes	IP44	Should be installed between the transformer and the lights	Can be used with any 12V garden light system. Locate the sensor in a relatively sunny area to allow the photo-electric sensor to work.
	RGL10	200W	Yes	No			The timer turns the light on at sunset and off after time set on the dial has expired (increments of 2, 4, 6, or 8 hours).



RANGE	PRODUCT CODE	UTILISATION	LENGTH	COPPER THICKNESS	NO. OF CORES	COMMENTS
Cables	RGL8	Standard Duty	10m	1.3mm <sup>2</sup>	2	Standard utilisation
	RGLHSC15	Standard Duty	15m	0.5mm <sup>2</sup>		For use with all HPM LED Deck & Step lights
	RGL9	Standard Duty	20m	1.3mm <sup>2</sup>		Standard utilisation
	RGLCL21/30	Heavy Duty	30m	3.3mm <sup>2</sup>		Recommended for high wattage loads
	RGLCL33/30	Extra Heavy Duty	30m	3.3mm <sup>2</sup>		Recommended for high wattage loads



RANGE	PRODUCT CODE	PACK	COMMENTS
Cable connector	CDGLCC4	4 Connectors	Join extra low voltage cables together. Simply insert the cable into the connector and twist together. These connectors contain a weatherproof sealant so no tape is required.





**DIY**  
STEP 3

# CABLES

Choose from a range of garden cables to suit your needs:  
**narrow, standard duty, heavy duty.**

Determine the location of your garden lights and the position of your transformer. When extra low voltage is run through the cable over a long distance energy is lost. This is called voltage drop. If the voltage drops too much, your appliance will not work efficiently. See selection table below:

PRODUCT CODE	TOTAL WATTAGE OF YOUR GARDEN LIGHTS				
	10W	20W	30W	40W	50W
CABLE TYPE REQUIRED					
Extra Heavy Duty	90m	45m	30m	25m	20m
Heavy Duty	60m	30m	20m	15m	10m
Standard Duty	35m	20m	10m	8m	30m



UP TO  
**30**  
METRES

2 CORE  
CABLE

Length	10m
Wire gauge	16 AWG, 2 core cable
Copper thickness	1.3mm <sup>2</sup>
Utilisation	Standard duty, narrow places
Colour	Black
Construction	Plastic and copper
Product code	<b>RGL8</b>
Length	20m
Wire gauge	16 AWG, 2 core cable
Copper thickness	1.3mm <sup>2</sup>
Utilisation	Standard duty, narrow places
Colour	Black
Construction	Plastic and copper
Product code	<b>RGL9</b>
Length	30m
Copper thickness	2.1mm <sup>2</sup>
Utilisation	Heavy duty
Colour	Black
Construction	Plastic and copper
Product code	<b>RGLCL21/30</b>
Length	30m
Copper thickness	3.3mm <sup>2</sup>
Utilisation	Extra Heavy Duty
Colour	Black
Construction	Plastic and copper
Product code	<b>RGLCL33/30</b>
Length	15m
Copper thickness	0.5mm <sup>2</sup>
Utilisation	Standard duty, narrow
Colour	Black
Construction	Plastic and copper
Product code	<b>RGLHSC15</b>

# ACCESSORIES



## REPLACEMENT LED GLOBES

Designed to replace halogen globes so you can reduce the overall energy consumption of your garden lighting. This means it suits a wide variety of 12V garden lights including pathlights, spotlights and uplights.



## SOLAR RECHARGEABLE BATTERIES

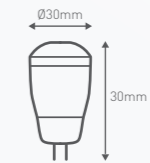
HPM solar rechargeable batteries are suitable for use with HPM solar garden lights. This handy 4-pack is a reliable source of power for keeping your lights on.



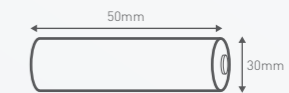
## CABLE CONNECTORS

Cable connectors join your extra low voltage cables together. You simply insert the cables into the connector and twist together. These connectors contain a weatherproof sealant so no tape is required.

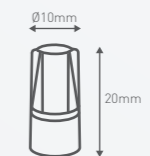
 	REPLACEMENT GLOBES	
	<b>Power</b>	0.5W
	<b>Lamp base</b>	MR16
	<b>Nominal voltage</b>	12V
	<b>Globe type</b>	LED
	<b>Construction</b>	Aluminium and glass
	<b>Package contents</b>	2 x LED Globes
	<b>Finish</b>	Satin Silver
<b>Light colour</b>	White light	
<b>Product code</b>	<b>DGLWLED</b>	



	BATTERIES	
	<b>Current</b>	600mAh
	<b>Construction</b>	NiCD Nickel-cadmium
	<b>Colour</b>	Yellow
	<b>Package contents</b>	4 x Solar rechargeable batteries
	<b>Battery type</b>	AA
<b>Product code</b>	<b>DSLBAT4</b>	



CABLE CONNECTORS	
<b>Nominal voltage</b>	12V
<b>Construction</b>	Plastic
<b>Colour</b>	Black
<b>Product code</b>	<b>CDGLCC4</b>





A brand of **legrand**



Member of:



Disclaimer: The information provided in this document is intended for informational purposes only has been prepared and reviewed with all reasonable care, believed to be correct at the time of printing. Legrand Australia and New Zealand may also make improvements and/or changes in the products, pricing and/or programs described in this information at any time without notice.

**Legrand Australia**

Building 4, Nexus Industry Park  
43-47 Lyn Pde Prestons NSW 2170  
1300 369 777  
[www.hpm.com.au](http://www.hpm.com.au)

**Legrand New Zealand**

106-124 Target Road Glenfield  
Auckland 0627 New Zealand  
0800 476 009  
[www.hpm.co.nz](http://www.hpm.co.nz)