



Fanlight

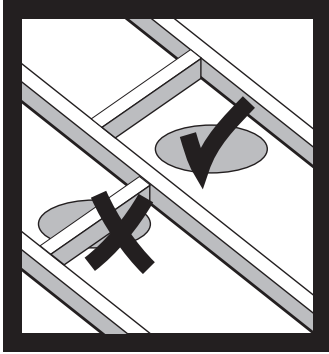
Cat. R620, Standard version
Cat. R620LED, LED Version

Instruction Sheet

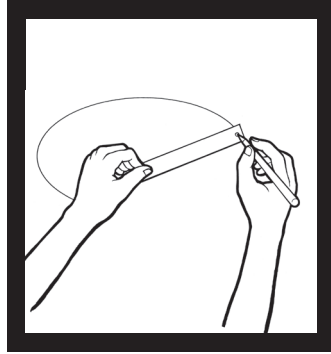


1 Installation

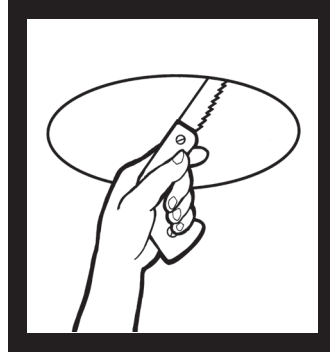
A licensed electrician is required to connect this unit to the mains supply.
A lamp (B22 75W Max) is required for the R620 model (not supplied)



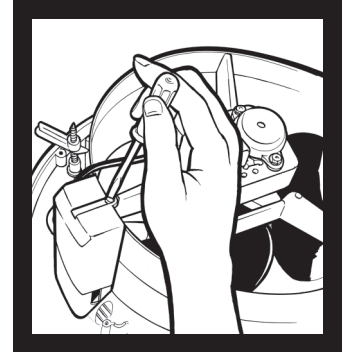
1. Determine position in ceiling where Fanlight is required to be installed. (Do not install within 120cm of stove or inside a shower recess). Be certain that the installation area is not restricted by roof beams above ceiling.



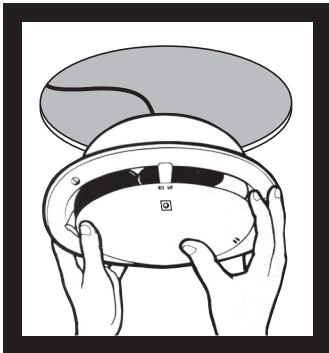
2. Use template provided to draw a circle 300mm in diameter. To do this insert a thumb tack in hole at one end and insert a pencil in the other hole and scribe a circle.



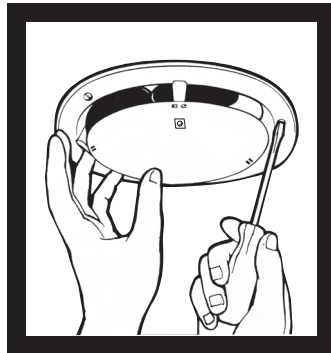
3. Use electric jig saw or small hand saw to cut out around this line. Several holes drilled at a point inside the circle provides a convenient starting point for cutting the panel out.



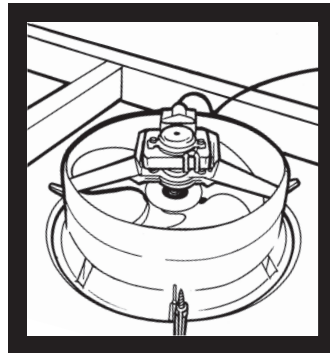
4. Remove the terminal cover and wire according to the diagrams in section 2. Option 1: This method of wiring switches fan and light on and off simultaneously. Option 2: Shows how to wire fan and light separately. This allows the light (or the fan) to be switched on independently of the other. Option 3: Shows the addition of HPM Cat TX770/1RC time delay mechanism.



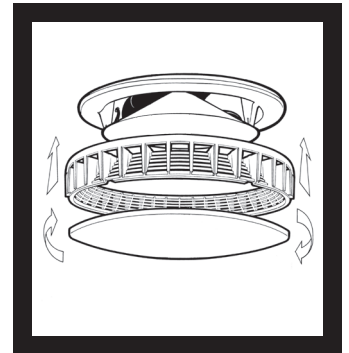
5. Remove light diffuser and air-intake grille. Unscrew the 3 screws on the lip of the unit until the gap between the toggles and inner lip of the unit is greater than the width of the Gyprock, or other ceiling material. Fold these toggles in. Push unit into hole.



6. Turn the retention screws clockwise. The toggles will splay out. Tightening the retention screws allows the toggles to grip the ceiling material.

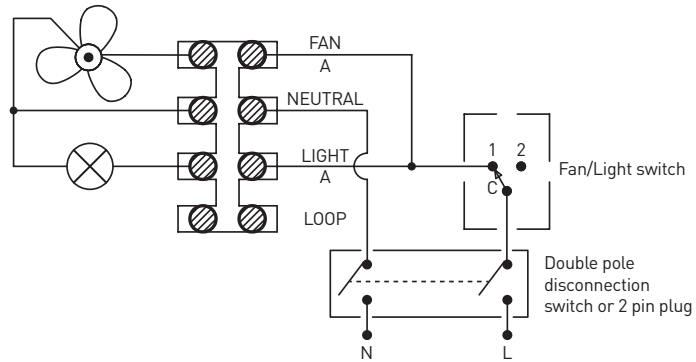


7. It is recommended that the three toggles be checked for the correct clamping by inspection from above. You may now insert a globe $\leq 75W$ into the R620 (not required for the R620LED)

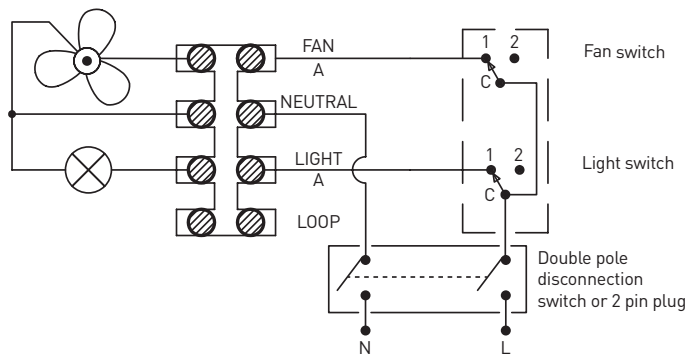


8. Push grille into unit and click into position. Assemble the diffuser and round dust seal and twist into position. To remove this assembly for cleaning, simply pull assembly downwards.

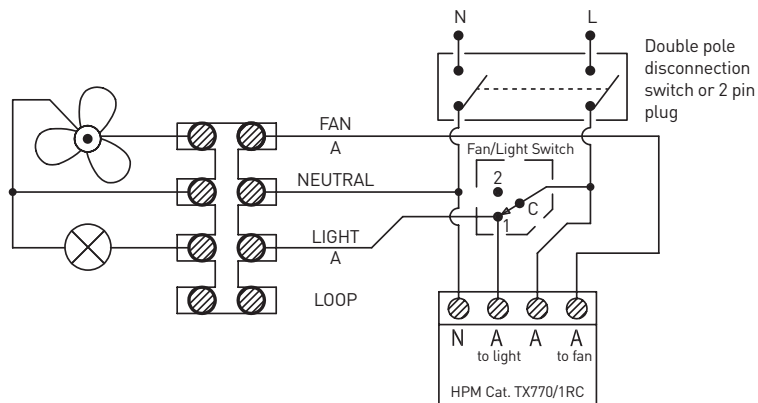
Option 1: Fan and light switched together



Option 2: Fan and light switched separately



Option 3: Fan and light switched together with time delay on fan after switch is turned off

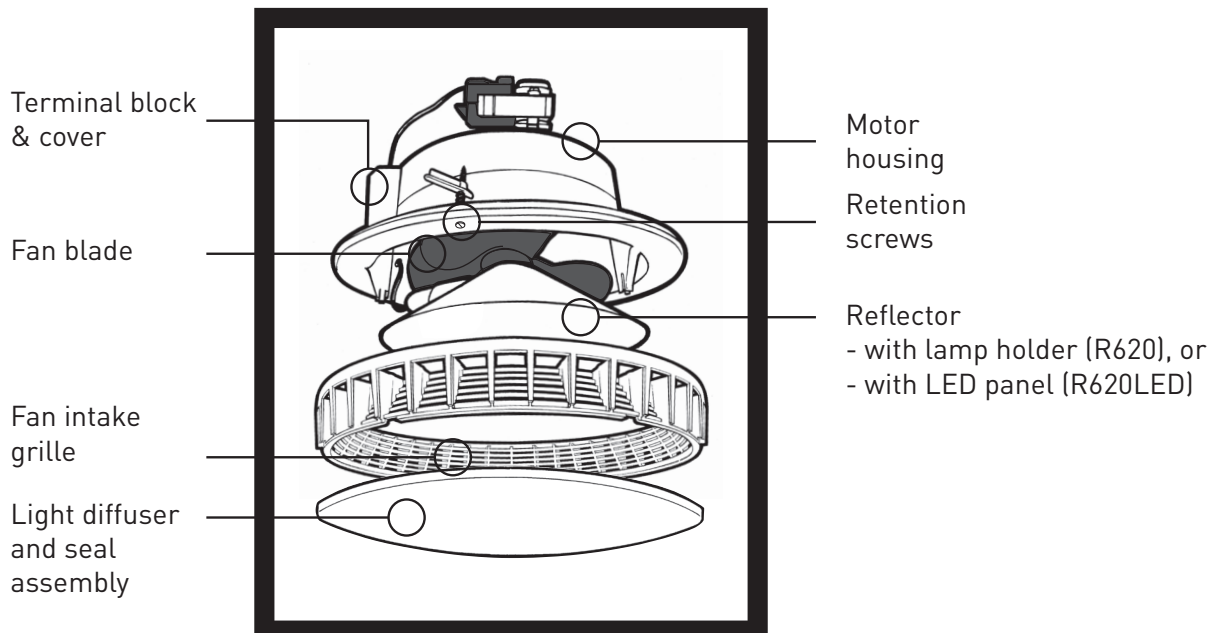


3 Specifications

		R620	R620LED
Supply voltage:		240V a.c. 50Hz	240V a.c. 50Hz
Maximum power consumption:		113W	49W
Light:	Consumption	75W (Max)	11W, not dimmable
	Lumen output	-	600 lumens
	Temperature	-	4000k (cool white)
Fan:	Consumption	38W	38W
	Airflow	300m ³ /hr	300m ³ /hr
Ceiling:	Cut-out	300mm	300mm
Protrusion from ceiling:		90mm	90mm
Projection into ceiling:		130mm	130mm
Impeller diameter:		200mm	200mm
Weight (Normal):		3.0kg	3.0kg

4 Product parts

INSTALLATION/APPLICATION



5 Warning

- a This product must be installed and used as per these instructions. For indoor ceiling mount applications only.
- b All wiring must be carried out by a licensed electrician.
- c Means for disconnection must be incorporated in the fixed wiring in accordance with the Wiring Rules.
- d This product should only be cleaned with a damp cloth. Cleaning agents and solvents should not be used.
- e Ensure the fan is switched off from mains supply before removing grill and diffuser for cleaning purposes.
- f This appliance is intended for household use and similar purposes. It is not suitable for use in an environment heavily-laden with dust. Under these conditions the life of the fan motor can be significantly reduced.
- g This appliance is not intended for use by young persons (including children) with reduced physical, sensory or mental capabilities, or lack of experience and knowledge, unless they have been given supervision or instruction concerning use of the appliance by a person responsible for their safety. Children should be supervised to ensure that they do not play with the appliance.
- h Airflows listed in this product indicate the product performance. Refer to the BCA (Building Code of Australia), or similar, for the appropriate number of room air changes / extraction rate required for a particular installation.
- i Ventilation products must have an adequate source of external air to ensure rated performance can be achieved.
- j This product contains no serviceable parts and no attempt should be made to repair this product. If the product is faulty it should be discarded.
- k Severe electromagnetic interference from other products may cause malfunction of this product.
- l The material in this product may vary in colour from batch to batch. Colour matching from one batch to another cannot be guaranteed.
- m Electrical installations periodically receive transient over-voltages. This product has been designed to minimise the effect of such voltages on connected equipment. It may not give full protection for extreme over voltage transients such as those resulting from a close lighting strike.
- n This product utilises intellectual property in the form of registered designs, trademarks, and/or patents. Such intellectual property remains the property of HPM Legrand in all cases.
- o HPM Legrand reserves the right to modify the specifications of this product at any time.

Warranty

HPM Legrand warrants this product for a period of 5 years from the date of purchase. These goods come with guarantees that cannot be excluded under the Australian and New Zealand Consumer Laws. You are entitled to a replacement or a refund for a major failure and for compensation for any other reasonably foreseeable loss or damage. You are also entitled to have the goods repaired if the goods fail to be acceptable quality and the failure does not amount to a major failure. See the Warranty card enclosed with this product for further details.

Customer Service

For all Customer Service and Technical Support please call Monday to Friday during business hours.

HPM Legrand Australia
1300 369 777
www.hpm.com.au

HPM Legrand New Zealand
0800 476 009
www.hpm.co.nz

ABN: 31 000 102 661

A Group Brand |  **legrand**