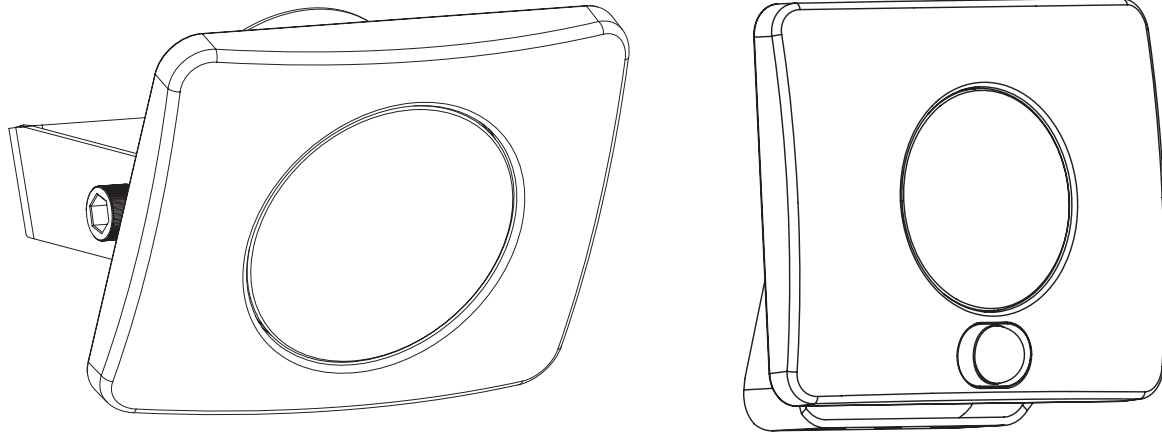


LEANA - Slim LED Floodlights

Instruction Manual

Cat. LFL0510BL, LFL0520BL, LFL0530BL,
LFL0540BL, LFS0520BL, LFS0530BL



This product must be installed by a licensed electrician.

1 Specifications

Cat No	LFL0510BL	LFL0520BL	LFL0530BL	LFL0540BL	LFS0520BL	LFS0530BL
Supply Voltage	230-240V a.c 50Hz					
CCT	4000K					
Colour Rendering Index (CRI)	70+					
Efficacy	80 lm/W		100 lm/W		80 lm/W	100 lm/W
Standby Power	N/A				< 1.0W	
Beam Angle	110°					
Tilt Angle	130°					
Lifespan	25,000hrs @ 25°C					
IP Rating	IP65					
Detection Range	N/A				6M	
Detection Method	N/A				6M (Max) 360° SCAN	
Switching Function	N/A				Auto	
Time Delay	N/A				5 minutes	
Lux Sensitivity	N/A				20-50 lx (Auto)	
Length of Power Cord	300mm					
Input Power	8W	15W	20W	30W	15W	20W
Lumens Output	650lm	1200lm	2000lm	3000lm	1200lm	2000lm
Weight	280g	335g	560g	800g	335g	560g
Warranty	5 years					

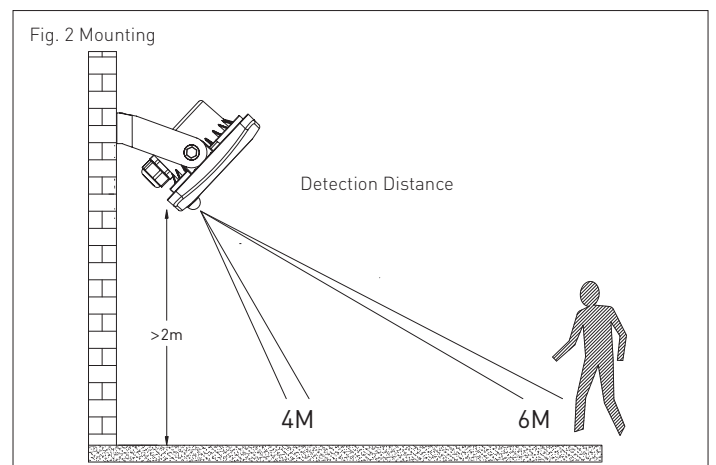
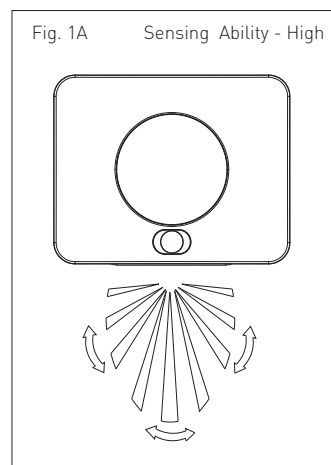
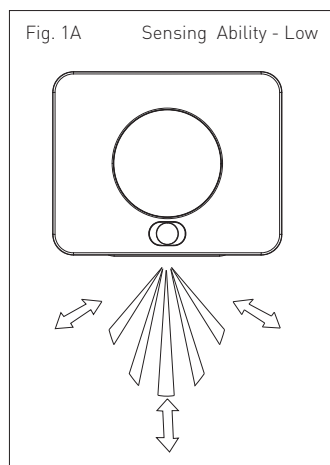
2 Sensor Version

This floodlight incorporates an automatic passive infrared (PIR) sensor. The sensor continuously scans a preset operating zone and immediately switches the floodlight ON when it detects movement from people and animals. It can be used to illuminate pathways, steps, patios, porches or other areas that require lighting for reasons of safety, convenience or security. Whilst there is movement within the scanning area the floodlight will remain on.

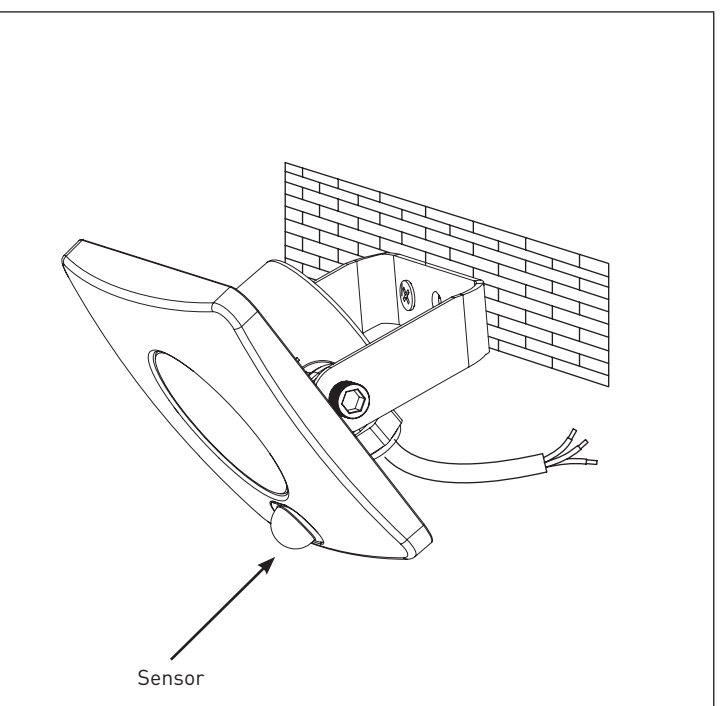
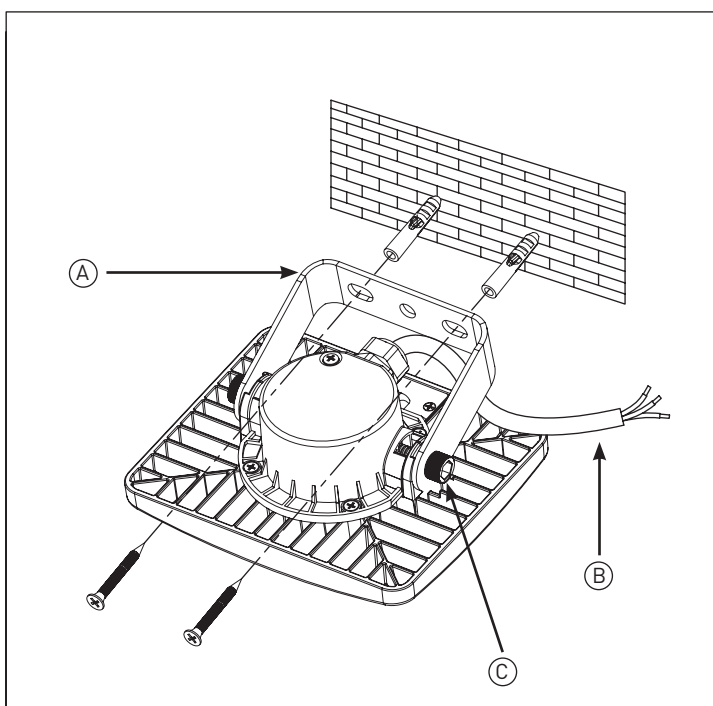
Before selecting a place to install your floodlight you should note that movement across the scan area is more effective than movement directly toward or away from the sensor (refer FIG. 1B). If movement is made walking directly towards or away from the sensor and not across, the apparent detection range will be substantially reduced (refer FIG. 1A).

Do not operate in close proximity to combustible materials or substances affected by heating or drying. Keep a minimum distance of 0.5m from adjacent objects.

Ideally the floodlight should be mounted more than 2m above the area to be scanned (refer to Fig. 2).



3 Installation



3 Installation Cont

Installing a wall switch adjacent to the power source is recommended.

1. Choose a suitable wall / ceiling mount location for the floodlight. A mounting height of greater than 2m is recommended.
2. Use the mounting bracket (A) from the floodlight to mark the mounting positions on the wall / ceiling.
3. Mount the bracket on the wall / ceiling. Ensure the method of fixing can support up to a 10kg weight.
4. Terminate the power cord (B) to mains wiring as marked on the label. Ensure that the wires are secure and no bare wires are exposed.
5. Orient the floodlight to the desired position and tighten the bolts (C) completely.
6. DO NOT MEGGER TEST.

4 Maintenance / Cleaning

- * This product should only be cleaned with a damp cloth. Cleaning agents and solvents should not be used.
- * This product should not be cleaned with a hose.

Disclaimers

1. This product must be installed and used as per these instructions.
2. An IP rating of IP65 is generally considered suitable for fully exposed external installations.
3. The IP rating of this product is only valid when installed on a flat and non-porous surface. Additional sealing may be required for irregular surfaces.
4. The mounting screws on this product should be tightened to a maximum torque of 0.8Nm. Over tightening may damage the product.
5. This product contains no serviceable parts and no attempt should be made to repair it. If the product is faulty it should be discarded.
6. This product is not suitable for installation in hazardous and/or corrosive areas.
7. Electrical installations periodically receive transient over-voltages. This product has been designed to minimise the effect of such voltages on connected equipment. It may not give full protection for extreme over-voltage transients such as those resulting from a close lighting strike.
8. This product utilises intellectual property in the form of registered designs, trademarks, and/or patents. Such intellectual property remains the property of Legrand in all cases.
9. Legrand reserves the right to modify the specification of this product at any time.
10. This product has been designed to operate in ambient temperatures -5°C to 25°C occasionally reaching 35°C.
11. Stated lifespan is an average. Actual lifespan will vary according to individual circumstances.
12. Extended exposure to UV rays (such as exposure to direct sunlight) may cause discolouration of this product.
13. The material in this product may vary in colour from batch to batch. Colour matching from one batch to another cannot be guaranteed.

Warranty

Legrand warrants this product for a period of 5 years from the date of purchase. These goods come with guarantees that cannot be excluded under the Australian and New Zealand Consumer Laws. You are entitled to a replacement or a refund for a major failure and for compensation for any other reasonably foreseeable loss or damage. You are also entitled to have the goods repaired if the goods fail to be of acceptable quality and the failure does not amount to a major failure. See the Warranty card enclosed with this product for further details.

Customer Service

For all Customer Service and Technical Support please call Monday to Friday during business hours.

Legrand Australia
1300 369 777
www.hpm.com.au

Legrand New Zealand
0800 476 009
www.hpm.co.nz

ABN: 31 000 102 661

A Group brand |  legrand