



# IP44 7W, 11W & 15W Dimmable Sealed LED Downlight Kits

Cat. No. LDL033KWE, LDL034KWE, LDL033KPS, LDL034KPS,  
LDL023KWE, LDL024KWE, LDL023KPS, LDL024KPS,  
LDL013KWE, LDL014KWE, LDL013KPS, LDL014KPS,

## Instruction Sheet



 Class II Construction

### 1 FREESIA 7W Downlights Description

Cat no.	Description	Ceiling Cut-out	Ceiling Depth	Fascia Diameter	Lumens	Colour Temp	Beam Angle	CRI	IP Rating
LDL033KWE	White Sealed Downlight 7W LED Warm White with Dimmable Driver	70mm	60mm	85mm	500lm	3000K	100°	80+	IP44
LDL034KWE	White Sealed Downlight 7W LED Cool White with Dimmable Driver	70mm	60mm	85mm	500lm	4000K	100°	80+	IP44
LDL033KPS	Polished Aluminium Sealed Downlight 7W LED Warm White with Dimmable Driver	70mm	60mm	85mm	500lm	3000K	100°	80+	IP44
LDL034KPS	Polished Aluminium Sealed Downlight 7W LED Cool White with Dimmable Driver	70mm	60mm	85mm	500lm	4000K	100°	80+	IP44

### AZALEA 11W Downlights Description

Cat no.	Description	Ceiling Cut-out	Ceiling Depth	Fascia Diameter	Lumens	Colour Temp	Beam Angle	CRI	IP Rating
LDL013KWE	White Sealed Downlight 11W LED Warm White with Dimmable Driver	85-90mm	48mm	105mm	800lm	3000K	100°	80+	IP44
LDL014KWE	White Sealed Downlight 11W LED Cool White with Dimmable Driver	85-90mm	48mm	105mm	850lm	4000K	100°	80+	IP44
LDL013KPS	Polished Aluminium Sealed Downlight 11W LED Warm White with Dimmable Driver	85-90mm	48mm	105mm	800lm	3000K	100°	80+	IP44
LDL014KPS	Polished Aluminium Sealed Downlight 11W LED Cool White with Dimmable Driver	85-90mm	48mm	105mm	850lm	4000K	100°	80+	IP44

### DALIA 15W Downlights Description

Cat no.	Description	Ceiling Cut-out	Ceiling Depth	Fascia Diameter	Lumens	Colour Temp	Beam Angle	CRI	IP Rating
LDL023KWE	White Sealed Downlight 15W LED Warm White with Dimmable Driver	85-90mm	100mm	108mm	950lm	3000K	80°	92+	IP44
LDL024KWE	White Sealed Downlight 15W LED Cool White with Dimmable Driver	85-90mm	100mm	108mm	980lm	4000K	80°	92+	IP44
LDL023KPS	Polished Aluminium Sealed Downlight 15W LED Warm White with Dimmable Driver	85-90mm	100mm	108mm	950lm	3000K	80°	92+	IP44
LDL024KPS	Polished Aluminium Sealed Downlight 15W LED Cool White with Dimmable Driver	85-90mm	100mm	108mm	980lm	4000K	80°	92+	IP44

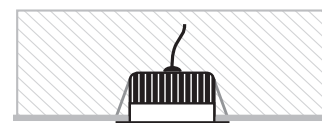
### 2 LED Downlight Lamp Life

30,000 Hrs Rated Average Lamp LED Life @25°C when installed with the default insulation clearances specified by AS/NZS 3000 -2007

25,000 Hrs Rated Average Lamp LED Life @25°C when installed with the thermal insulation abutting and covering the fixture in accordance with the IC rating specified in AS/NZS 60598.2.2 Amendment A (NZ only).



**Note:** This form of installation complies with the Wiring Rules AS/NZS 3000:2007 requirement for recessed downlights, clause 4.5.2.3.1 (i).



### 3 Dimming

The HPM 7W, 11W and 15W LED downlights are dimmable\* with Trailing and Leading Edge dimmers. We recommend the following dimmers only.

Legrand Excel Life EM400A3P	Max. 8 per HPM EM400A3P	Dimming Range 100%-5%
Legrand Excel Life EM250T/250L	Max. 5 per Legrand EM250T	Dimming Range 100%-10%
Legrand Excel Life EM400T/400L	Max. 8 per Legrand EM400T	Dimming Range 100%-10%
Legrand Arteor AR400T/400L	Max. 8 per Legrand AR400T	Dimming Range 100%-10%
Legrand Arteor AR400A3P	Max. 8 per Legrand AR400A3P	Dimming Range 100%-5%
HPM 250T/250L	Max. 5 per HPM 250T	Dimming Range 100%-10%
HPM 400T/400L	Max. 8 per HPM 400T	Dimming Range 100%-10%
HPM 700T/700L	Max. 14 per HPM 700T	Dimming Range 100%-25%
HPM 1000T/1000L	Max. 20 per HPM 1000T	Dimming Range 100%-25%

### 4 Insulation Rating IC



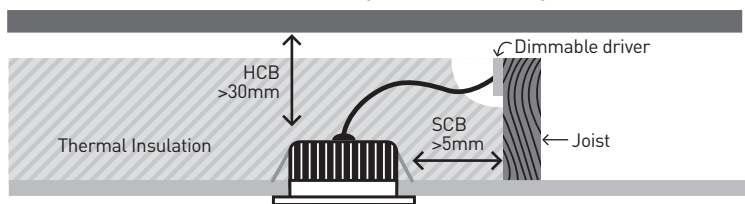
This series of downlights has achieved an IC insulation rating in accordance with AS/NZ 60598.2.2.

A type IC, recessed luminaire can be installed with building insulation material that can safely be exposed continuously to temperatures up to 90°C. Such insulation can cover and abut the side of the luminaire.

Refer to diagram for clarification.

LED driver can be placed under insulation, however, the warranty will be void and drivers lifespan will be affected.

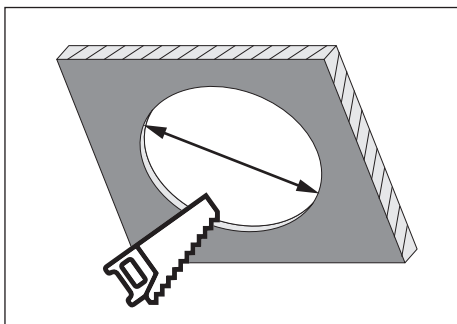
11W DOWNLIGHT Combustible building element above fitting



### 5 Setup Instructions

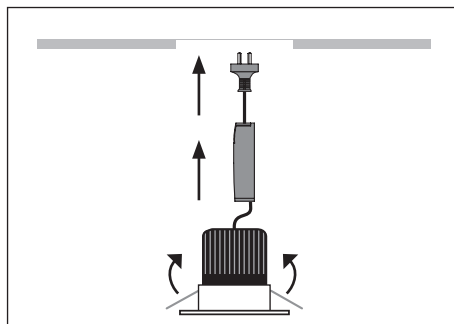
#### Step 1

Cut out a diameter of 70mm for 7W and 85-90mm for 11W and 15W.



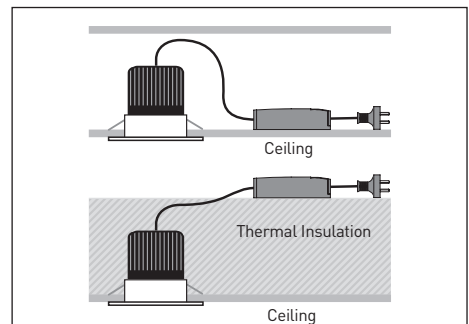
#### Step 2

Connect driver to main cables.



#### Step 3

Hold clips in place and push into cut out.



**Note: When Installing in a Concrete Canister, remove Heat Shrink over Spring Clips before Installing Rubber Sleeves.**  
**Not suitable for use with loose-fill insulation.**  
**If installed in accordance with the IC rating, insulation shall have a minimum temperature rating of 90°C.**

**Risk of FIRE** - Required clearance from structural members and building elements  
 SCB = 5mm HCB = 30mm

**SCB - Side Clearance to Building element:**

Minimum distance between the side of the recessed luminaire and any building element.

**HCB - Height Clearance to Building element:**

Minimum distance between the top of the recessed luminaire and any building element above it.

\* Dimmable only with the Trailing and Leading Edge Dimmer types listed above.

^ Lumen values quoted are typical and can vary at different colour temperatures and between manufacturers.

# Installation must be by a Registered Electrical Contractor.

#### Warranty

HPM Legrand warrants this product for a period of 6 years from the date of purchase. These goods come with guarantees that cannot be excluded under the Australian and New Zealand Consumer Laws. You are entitled to a replacement or a refund for a major failure and for compensation for any other reasonably foreseeable loss or damage. You are also entitled to have the goods repaired if the goods fail to be acceptable quality and the failure does not amount to a major failure. See the Warranty card enclosed with this product for further details.

#### Customer Service

For all Customer Service and Technical Support please call Monday to Friday during business hours.

HPM Legrand Australia  
 1300 369 777  
[www.hpm.com.au](http://www.hpm.com.au)

HPM Legrand New Zealand  
 0800 476 009  
[www.hpm.co.nz](http://www.hpm.co.nz)

ABN: 31 000 102 661

A Group brand | **legrand**