

# Datasheet

## AZA+ LED Dimmable Downlight 8W, IP44

CAT NO. LDL043KWE, LDL044KWE

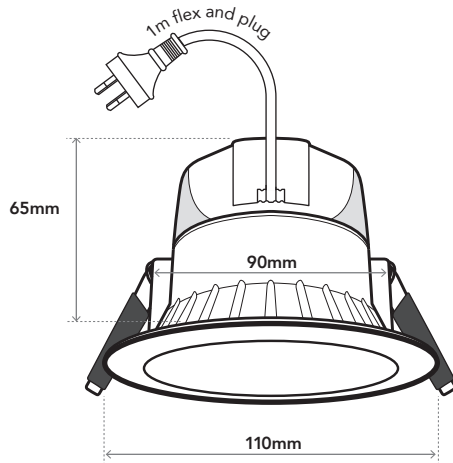


LDL044KWE

Cat no.	Description	Ceiling cut-out	Wattage	Ceiling depth	Fascia size	Lumens	Colour temp	Beam angle	CRI	IP rating
LDL043KWE	Warm white / white finish	90mm Ø	8W	65mm	110mm Ø	750lm	3000K	95°	80+	IP44
LDL044KWE	Cool white / white finish	90mm Ø	8W	65mm	110mm Ø	820lm	4000K	95°	80+	IP44

# AZA+ LED dimmable downlight 8W, IP44

CAT NO. LDL043KWE, LDL044KWE



LDL04 Series

Single product			
Cat No	Single Barcode	Dimensions	Weight
LDL043KWE	9321001449249	122 x 122 x 80mm	320g
LDL044KWE	9321001449256	122 x 122 x 80mm	320g

Outer box (Qty 20)			
Cat No	Barcode	Dimensions	Weight
LDL043KWE	9321001451730	630 x 260 x 180mm	6.9Kg
LDL044KWE	9321001451747	630 x 260 x 180mm	6.9Kg

- Integrated dimmable driver compatible with trailing edge dimmers
- Smooth dimming range
- Suitable for 90mm hole cut-outs
- Only 8W power consumption
- Up to 820 lumens output
- Maximum efficacy up to 102lm/W
- Insulation Contact (IC) recessed luminaire: An IC rated downlight means that building insulation that can be continuously exposed to 90°C, can safely abut and cover the luminaire
- Fitted with 1m flex and plug
- IP44 weatherproof
- Low ceiling depth
- Suitable for slab canisters
- 35,000h lifespan
- 3 year warranty

HPM Legrand - AUS  
1300 369 777  
www.hpm.com.au  
ABN 31 000 102 661

HPM Legrand - NZ  
0800 476 009  
www.hpm.co.nz

Refer to your group buying office, HPM Legrand Sales Representative or HPM Legrand Sales Office for pricing.