



LED Round Wall Light Twin Pack

Cat. RGLBW2

Assembly and Installation Instructions

1 Pack contents

Carefully remove all parts from their protective packaging and lay them out in front of you. There should be:

- 2 x LED round wall lights with cable connectors wired to the lights.

2 Installation

IMPORTANT

The total wattage of your lights must not exceed the rating of your transformer.

1. Choosing a suitable transformer

To start a new installation using individual round wall lights, you will require cable and a transformer to connect your lights. Each wall light is rated at 0.5 Watts. Purchase HPM's transformer and cable pack, Cat RGLPCTR10 (rated at 10 Watts) to complete your installation or HPM Cat RGLTR60, rated at 60 Watts.

If you wish to mix and match halogen lights with your LED round wall lights you will need a transformer that is appropriately sized to accommodate the full load.

2. Installation

1. Place your lights in the approximate position you want them to be.
2. Lay out the cable to where you want your lights to be located, remembering to allow sufficient cable to reach your power point.
3. If using the HPM transformer and cable pack, Cat RGLPCTR10 or RGLTR60, simply plug the end of the cable into the connection socket and screw together until secure. (Ensure that your transformer is not switched on at the power point while connecting your lights).
4. First connect the light that will be positioned furthest away from the transformer. (See connection diagrams that follow).

Note: Prior to installing your light, HPM recommends that you first observe the overall lighting effectiveness in the dark.

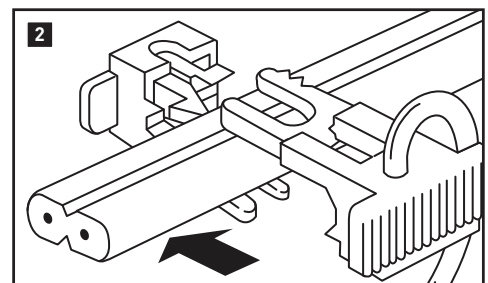
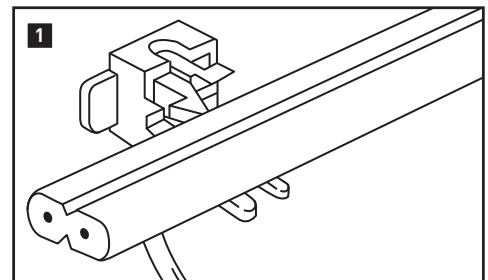
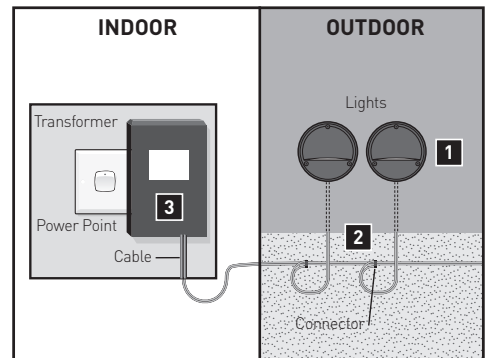
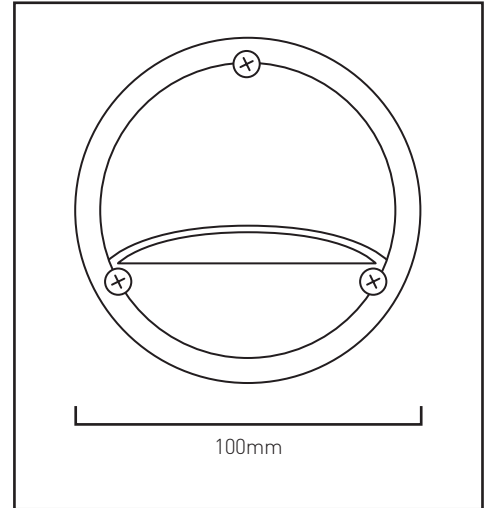
3. Connecting your lights

The special jaw lock connectors are designed to make electrical connection by piercing the insulation cable as the jaw lock connector is attached.

1. Lay the cable flat on one half of the connector as shown.
2. Lay the other half of the connector on top of the cable, upside down, taking care to align the pins into their matching holes on the other half. Push together firmly until they lock. Check that the two halves are pushed tightly together. (This will cause the spikes to deeply pierce into the copper centre of the cable and make a solid electrical connection).
3. Plug the transformer into the power point and check whether the furthest positioned wall light operates. (If it doesn't light up, refer to 'Troubleshooting' section on page 4). If light does light up, switch off the transformer and proceed to connect all the other garden lights using the steps above.

To check each light connection is secure, first turn the transformer on at the power point, then gently wiggle the cable and connector. (This is perfectly safe as the voltage is very low). If the light flickers, the connection is not firm enough and should be re-connected (repeat 'Connecting your lights steps 1-3').

NOTE: The transformers included in the HPM transformer and cable pack, Cat RGLPCTR10, are for indoor use only.



3 Setup

HPM recommends observing the lighting set up in the dark. Once you are completely satisfied with the position of your lights, it is time to mount lights to your surface.

1. Switch off the transformer at the power point.
2. Your HPM LED Round Wall Light can be mounted both vertically and horizontally. To mount in your preferred position, first remove the 3 screws on the top surface of the light and lift off the light cover from the base of the light.
3. Hold the base of your light flush against the surface where you wish to mount it.
4. Using a pencil, mark the position you would like your lights to be mounted through the 2 holes on the back of the light body. At this point, you may wish to hold a spirit level over the light to check that it is straight.
5. Once you are satisfied with the position of your light, rest it down and drill 2 holes into the surface where you have marked with your pencil.
6. If mounting onto a masonry surface, insert wall plugs (not included) into the holes that you have created. (If mounting onto a wood surface, wall plugs are not required).
7. Align the 2 holes in the back of the light body with the 2 holes you have drilled in your surface, ensuring that the back of the light is flush against the surface.
8. Using appropriate fastening screws (not included) secure the light by drilling screws into the holes on your vertical or horizontal surface.
9. Replace light cover using the 3 screws removed in step 2.
10. If you wish to cover the cable in the ground, dig a narrow channel, about 100mm deep (just enough to hide the cable) and lay the cable at the bottom of the channel.

If your cable will be covered in the ground HPM recommends that you observe the overall lighting effectiveness in the dark before covering the channel.

4 Troubleshooting

Problem	Possible Solution
The power point is turned on but the lights are off	<ol style="list-style-type: none">1. The cable screwed into the connection socket on the transformer may be loose. Tighten firmly.2. If using a transformer with terminal block, the connections at the base of the transformer may be loose. Tighten firmly.3. You may not have pierced the cable well enough with the metal spikes in the connector. Check that the cable insulation has been fully pierced by the spikes.4. There is no power to the power point. (Consult an electrician).
One or more lights flicker	The connection to the light is loose. (See 'Connecting your lights' section).

5 Maintenance tips

To prolong the life of your spotlights HPM recommends the following:

- Install away from salty or corrosive environments
- Install away from highly fertilised areas
- Do not submerge in treated water such as chlorinated pools

To keep your lights looking new, keep lenses free of dust and residue by wiping occasionally with a dry cloth, or with warm soapy water if necessary. If using soapy water, ensure that you thoroughly dry your light after cleaning.

Warranty

HPM Legrand Cat. RGLBW2 is warranted as here and after appears, against faulty material and/or workmanship for a period of one year from the day of purchase excluding the batteries. The obligation of the manufacturer, under this warranty, is limited to servicing and replacing defective parts when the unit is returned to the authorised place of purchase. To obtain warranty repair, the purchase receipt should be returned with the product. This warranty becomes void on any unit which has been tampered with or damaged by accident, short circuited, loaded beyond rating or damaged otherwise by improper operation. All other warranties, whether expressed or implied, and whether arising by operation of law or otherwise are hereby excluded.
Legrand Australia.

Customer Service

For all customer service and technical support please call Monday to Friday during business hours.

HPM Legrand Australia
1300 369 777
www.hpm.com.au

HPM Legrand - New Zealand
0800 476 009
www.hpm.co.nz