

# Datasheet

## SIKA LED Floodlight

CAT NO. LSP0112WBL



<b>Cat No</b>	<b>LSP0112WBL</b>
<b>Description</b>	SIKA LED Floodlight
<b>Construction</b>	Die cast aluminium body
<b>Supply voltage</b>	230-240V a.c. 50Hz
<b>Colour</b>	Black
<b>Power output</b>	12W
<b>Lumens output</b>	1070lm
<b>Lifespan</b>	15,000h*
<b>Light colour</b>	Cool White 4,000K Nominal
<b>CRI</b>	80+
<b>Operating temperature</b>	-10°C to 50°C
<b>Lamp swiveling angle</b>	130° Vertical, 180° Horizontal
<b>Protection class</b>	Class 1
<b>IP Rating</b>	IP44
<b>Weight</b>	0.6kg
<b>Dimension</b>	170 x 120 x 180 mm
<b>Warranty</b>	3 years

# SIKA LED Floodlight

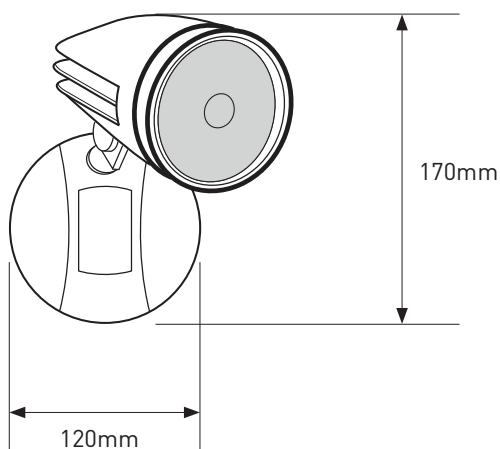
CAT NO. LSP0112WBL



- 12W ideal for small to medium areas such as driveways, secluded walkways, front and porches
- Die cast aluminium construction
- 1,070 lumens
- 15,000 hours lifespan
- 180° adjustable head/light
- IP44 weatherproof rating
- 3 years warranty

Single product			
Cat No	Dimensions	Weight	Barcode
LSP0112WBL	120 x 120 x 145 mm	0.7kg	9321001441274

Outer box (Qty 12)			
Cat No	Dimensions	Weight	Barcode
LSP0112WBL	380 x 260 x 165 mm	5kg	9321001441434



HPM Legrand - AUS  
1300 369 777  
www.hpm.com.au  
ABN 31 000 102 661

HPM Legrand - NZ  
0800 476 009  
www.hpm.co.nz

Refer to your group buying office, HPM Legrand Sales Representative or HPM Legrand Sales Office for pricing.

Please note: specifications are subject to change without prior notice.