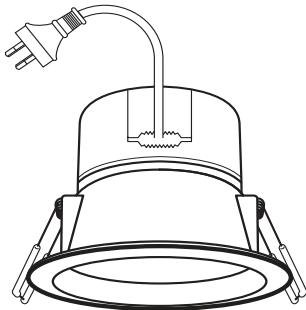




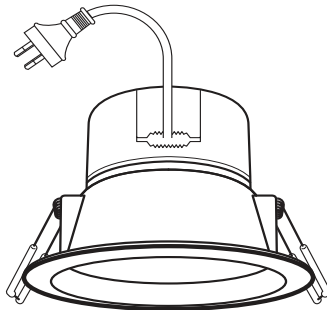
A brand of **legrand**

Tri-Colour LED Downlights Instruction Manual

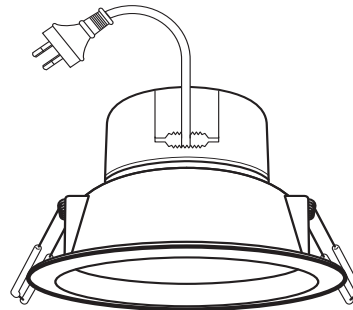
Cat. No. DLI90TRIBL, DLI90TRIWE, DLI90TRIBC, DLI110TRIWE, DLI150TRIWE



DLI90TRIBL,
DLI90TRIWE,
DLI90TRIBC



DLI110TRIWE



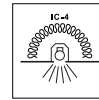
DLI150TRIWE



Class II construction



Dimmable



IC-4 Insulation Rating



IC-F Insulation Rating

1 Specifications

Cat. No.	DLI90TRIBL, DLI90TRIWE, DLI90TRIBC	DLI110TRIWE	DLI150TRIWE
Supply Voltage	230-240V a.c 50Hz		
Input Power	7W		10W
Colour Rendering Index (CRI)	80+		
Beam Angle	90°		95°
Lifespan	35,000hrs		
Dimmable	Trailing Edge Dimmer		
Insulation Rating	IC-4 and IC-F		
IP Rating	IP44*		
Ceiling Cutout Size	Ø90mm	Ø110mm	Ø150mm
Depth into Ceiling	72mm		80mm
Fascia Size	Ø110mm	Ø138mm	Ø175mm
Fascia Colour	Black (BL), White (WE), Brushed Chrome (BC)		

* IP Rating: Front Face when installed as per instructions.

LIGHT COLOUR vs LUMENS OUTPUT

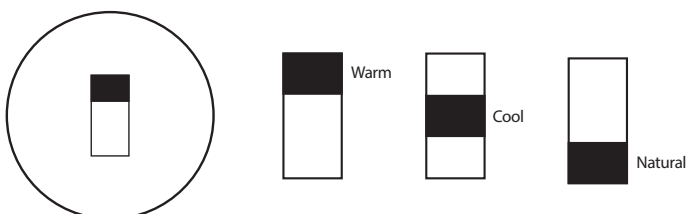
	DLI90TRIBL, DLI90TRIWE, DLI90TRIBC	DLI110TRIWE	DLI150TRIWE
Colour Temperature	Lumens Output	Lumens Output	Lumens Output
3000K nominal	750lm	750lm	1000lm
4000K nominal	840lm	840lm	1100lm
5000K nominal	840lm	840lm	1000lm

2 Installation

1. Cut out a hole in the ceiling. Refer to "Ceiling Cutout Size" in the Specifications section for the cutout size.
2. Set the colour temperature (refer to next section).
3. Connect mains cable.
4. Remove clear plastic protective cover from switch.
5. Fold back spring clips and insert into cutout.

3 Colour temperature select

Set the selector switch in the desired colour temperature



4 LED Downlight lamp life

35,000h Rated Average Lamp LED Life @ 25°C when installed with the default insulation insulation clearances specified by AS/NZS 3000



20,000h Rated Average Lamp LED Life @ 25°C when installed with the thermal insulation abutting and covering the fixture in accordance with the IC-4 and IC-F rating specified in AS/NZS 60598.2.2



Note: This form of installation complies with the Wiring Rules AS/NZS 3000 requirement for recessed downlights, clause 4.5.2.3.1 (i).

5 Insulation Rating

This series of downlights has achieved an IC-4 and IC-F insulation rating in accordance with AS/NZS 60598.2.2.

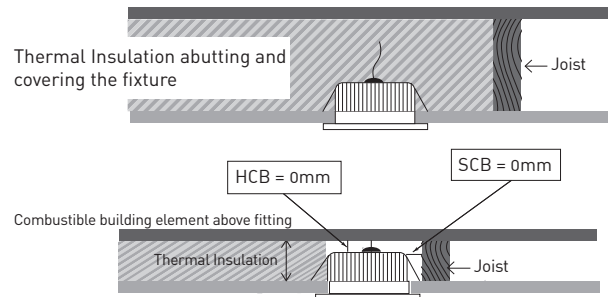
A type IC-4 and IC-F luminaire can be installed with building insulation material that can safely be exposed continuously to temperatures up to 90°C. Such insulation can cover and abut the side of the luminaire.

Refer to the diagram shown on the right for clarification.



Note: Not Suitable for use with loose-fill insulation.

If installed in accordance with the IC-4 and IC-F rating, insulation shall have a minimum temperature rating of 90°C.



WARNING - RISK OF OVERHEATING OR FIRE IF THE CLEARANCE DISTANCES ARE COMPROMISED
No clearance is required from structural members and buildings elements. (SCB & HCB = 0mm)

SCB - Side Clearance to Building element: Minimum distance between the side of the recessed luminaire and any building element.

HCB - Height Clearance to Building element: Minimum distance between the top of the recessed luminaire and any building element above it.

6 Dimming

This series of downlights are dimmable with trailing edge dimmers only. We recommend the following dimmers only.

Cat. No.	DLI90TRIBL, DLI90TRIWE, DLI90TRIBC, DLI110TRIWE		DLI150TRIWE	
	DOWNLIGHTS QTY PER DIMMER	DIMMING RANGE	DOWNLIGHTS QTY PER DIMMER	DIMMING RANGE
Legrand EM400A3P, AR400A3P	12 max	1% - 99%	10 max	1% - 96%
Legrand EM400A2P	12 max	5% - 86%	10 max	3% - 78%
Legrand EM400T, AR400T	12 max	4% - 99%	10 max	3% - 100%
HPM 400T	12 max	4% - 99%	10 max	3% - 100%
Legrand EM250T	8 max	5% - 99%	6 max	3% - 100%
HPM 250T	8 max	5% - 99%	6 max	3% - 100%
HPM 700T	21 max	11% - 99%	16 max	7% - 100%
HPM1000T	30 max	13% - 100%	24 max	8% - 97%

Disclaimers

1. This product must be installed and used as per these instructions.
2. An IP rating of IP44 is generally considered suitable for external walls with supplementary protection such as overhanging eaves.
3. The IP rating of this product is only valid when installed on a flat and non-porous surface. Additional sealing may be required for irregular surfaces.
4. This product contains no serviceable parts and no attempt should be made to repair this product. If the supply cord is damaged it shall be replaced by a qualified person in order to avoid a hazard
5. This product is not suitable for installation in hazardous and/or corrosive areas.
6. Electrical installations periodically receive transient over voltages. This product has been designed to minimise the effect of such voltages on connected equipment. It may not give full protection for extreme over-voltage transients such as those resulting from a close lighting strike.
7. This product utilises intellectual property in the form of registered designs, trademarks, and/or patents. Such intellectual property remains the property of Legrand in all cases.
8. Extended exposure to UV rays (such as exposure to direct sunlight) may cause discolouration of this product.
9. The material in this product may vary in colour from batch to batch. Colour matching from one batch to another cannot be guaranteed.
10. Legrand reserves the right to modify the specification of this product at any time.

Warranty

Legrand warrants this product for a period of 3 years from the date of purchase.

These goods come with guarantees that cannot be excluded under the Australian and New Zealand Consumer Laws. You are entitled to a replacement or a refund for a major failure and for compensation for any other reasonably foreseeable loss or damage. You are also entitled to have the goods repaired if the goods fail to be of acceptable quality and the failure does not amount to a major failure.

See the Warranty card enclosed with this product for further details.

Customer Service

For all Customer Service and Technical Support please call Monday to Friday during business hours.

Legrand Australia
1300 369 777
www.hpm.com.au

Legrand New Zealand
0800 476 009
www.hpm.co.nz

ABN: 31 000 102 661