

Data Sheet

Excel and Linea Dual USB Charger Mechanism



CAT NO. 770USB2PSAMWE, 770USB2PSAMBL, 770USB2PSXMWE, 770USB2PSXMBL



770USB2PSAMWE



Application Example 1.
770USB2PSAMWE + XL777XWE

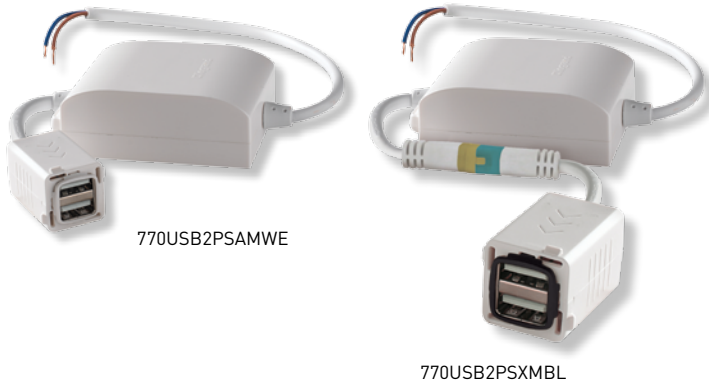


Application Example 2.
770USB2PSAMWE + LN777XWE
+ LN777XPLLG

| Cat No | 770USB2PSAMWE | 770USB2PSAMBL | 770USB2PSXMWE | 770USB2PSXMBL |
|--------------------------------------|--|---------------|---|---------------|
| Description | Excel and Linea Dual USB Charger Mechanism | | Excel and Linea Dual USB Charger Mechanism with In-line connector | |
| Colour | White | Black | White | Black |
| Nominal input voltage | 230-240V a.c. | | | |
| Nominal input frequency | 50 Hz | | | |
| Nominal input current | 300mA | | | |
| Stand-by power consumption | < 0.07W | | | |
| Nominal output voltage | 5V d.c. | | | |
| Nominal output current | 2 x 2.4A | | | |
| Energy efficiency | Level VI, ≥ 85% measured at USB socket output side | | | |
| Safety standard | AS/NZS 60950-1, AS/NZS 4665, AS/NZS 3100 | | | |
| Protection class | Class II | | | |
| Overload protection on output | Yes | | | |
| Surge protection | 5.1A ± 0.2A | | | |
| In-line connector | No | | Yes | |
| Operating temperature | 5° to 40°C | | | |

Excel and Linea Dual USB Charger Mechanism

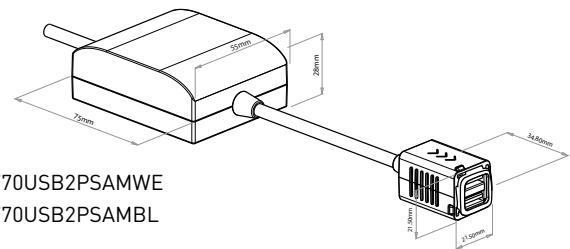
CAT NO. **770USB2PSAMWE, 770USB2PSAMBL, 770USB2PSXMWE, 770USB2PSXMBL**



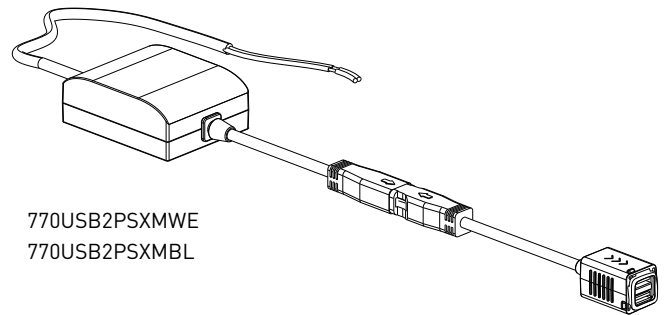
| Single product | | |
|----------------|-------------------------|---------------|
| Cat No | Dimensions | Barcode |
| 770USB2PSAMWE | 101mmW x 101mmH x 54mmD | 9321001448143 |
| 770USB2PSAMBL | 101mmW x 101mmH x 54mmD | 9321001450535 |
| 770USB2PSXMWE | 101mmW x 101mmH x 54mmD | 9321001448259 |
| 770USB2PSXMBL | 101mmW x 101mmH x 54mmD | 9321001450542 |

| Outer box (QTY 12) | | |
|--------------------|-------------------------|---------------|
| Cat No | Dimensions | Barcode |
| 770USB2PSAMWE | 200mmW x 200mmH x 83mmD | 9321001448433 |
| 770USB2PSAMBL | 200mmW x 200mmH x 83mmD | 9321001450559 |
| 770USB2PSXMWE | 200mmW x 200mmH x 83mmD | 9321001448549 |
| 770USB2PSXMBL | 200mmW x 200mmH x 83mmD | 9321001450566 |

- 2 x 2.4A USB Ports: high charging capacity
- Capable of charging up to two tablets/smartphones simultaneously at their maximum capacity
- Suitable for smartphones, tablets, fitness bands and running watches
- Charging module installed in wall cavity
- To be installed in Excel or Linea switch plates or powerpoints with an extra mechanism hole
- Suitable for all commercial and residential installations such as kitchens and bedside tables
- Overload protection on output (USB circuit)
- Low standby power consumption: < 0.07W
- Use 3m extension lead EAUSBEXT3WE with 770USB2PSXMWE/770USB2PSXMBL to extend USB socket from Power Supply Charger
- 770USB2PSXMWE/770USB2PSXMBL can be used with wall boxes 435 or 429R
- Indoor use only



770USB2PSAMWE
770USB2PSAMBL



770USB2PSXMWE
770USB2PSXMBL

HPM Legrand - AUS
1300 369 777
www.hpm.com.au
ABN 31 000 102 661

HPM Legrand - NZ
0800 476 009
www.hpm.co.nz

Refer to your group buying office, HPM Legrand Sales Representative or HPM Legrand Sales Office for pricing.