



# Digital Timer

Cat No. D817SLIMDP

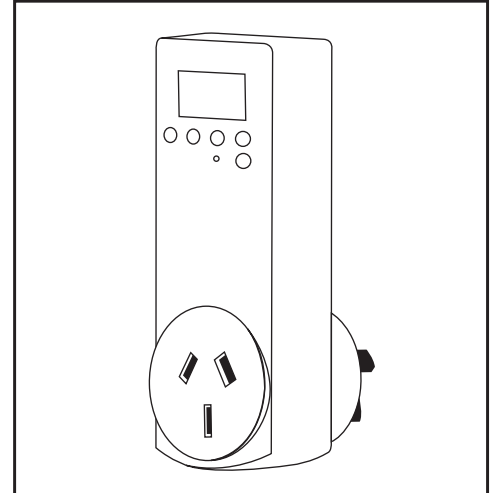
## Instruction Manual

### 1 About your Slimline Digital Timer

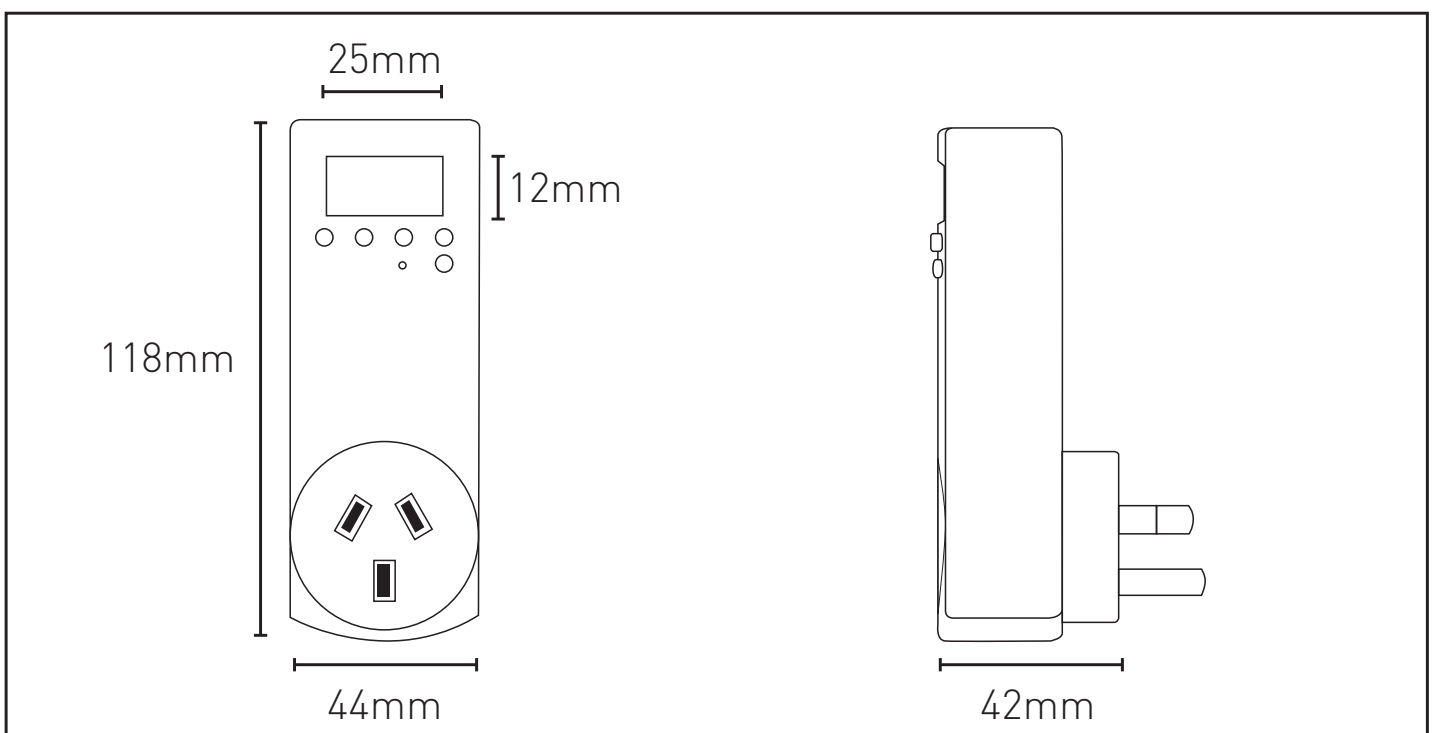
This 7 day digital timer can be set with up to 16 programs. Each of these can be set to repeat daily, weekly, daily during the working week, daily on weekends and in a variety of other day combinations to maximise flexibility.

Additionally this timer has a Random Feature and Countdown Mode.

This timer has an internal rechargeable battery to keep your settings in the event of a power failure. When new, or not used for some time, the battery may need recharging before you can setup your timer. Plug the timer in for a few hours or overnight to recharge the battery.



### 2 Mechanism Dimensions



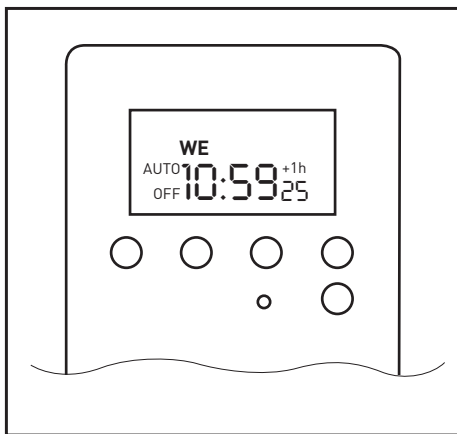
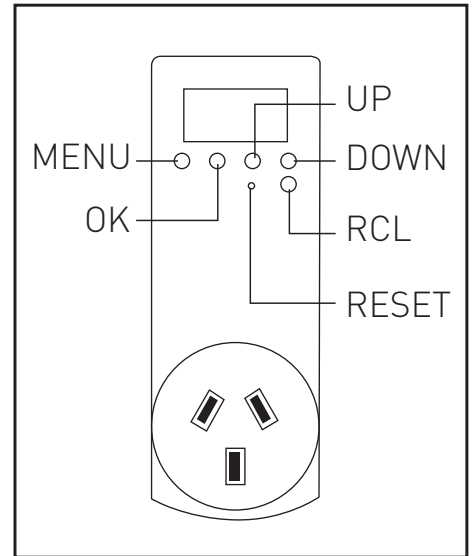
## 3 Operation

HPM recommends you keep these instructions for future reference.

Setting a digital timer can be confusing at first. Essentially there are 3 steps:

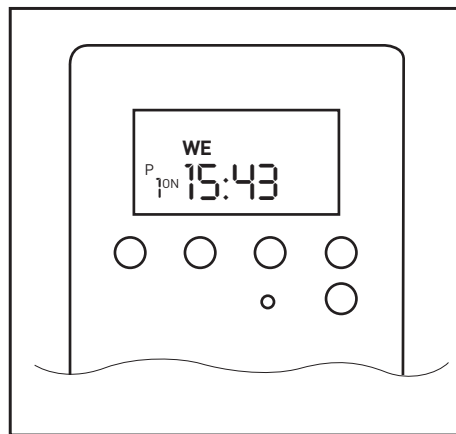
1. Set the clock.
2. Setup your switching programs.
3. Put in AUTO mode and plug in your device.

The timer has 3 modes. Press the MENU button to change from one mode to the next.



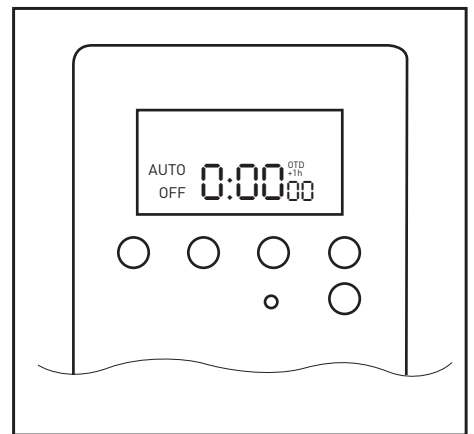
### 1. Clock Mode –

The screen will display the current time and day.



### 2. Program Mode –

Enables you to scroll through to view or set the 16 program settings.



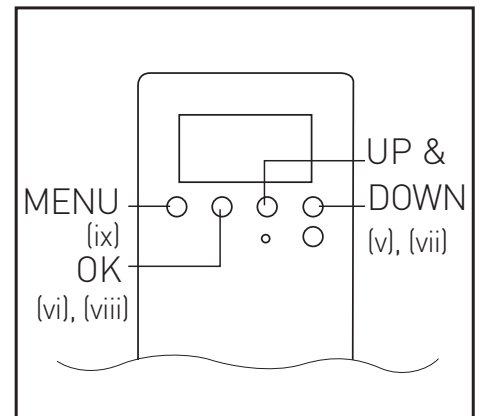
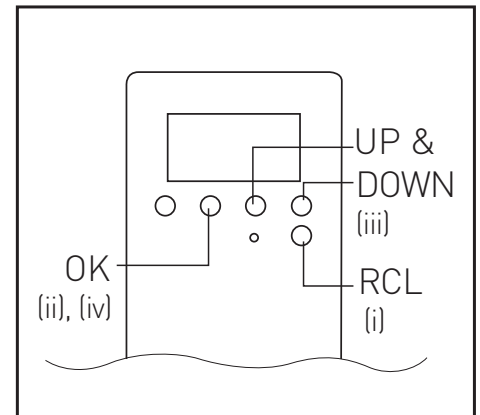
### 3. Countdown Mode –

Enables you to simply set the timer to turn ON or OFF at a later time.

To return to clock mode from Program Setting Mode, press MENU twice.  
To return to clock mode from Countdown Mode, press MENU once.

## A Clock Mode - Setting the Clock

- (i) Is it Standard or Daylight Savings Time? In Clock Mode press RCL to change to Summer Time – the display will show +1h. Press RCL again to return to Standard time.
- (ii) Press and hold OK until the days of the week at the top of the display flash.
- (iii) Use the UP and DOWN buttons to set the day of the week.
- (iv) Press OK to confirm – the hour display will flash.
- (v) Use the UP and DOWN buttons to set the current hour (in standard time).
- (vi) Press OK to confirm – the minute display will flash.
- (vii) Use the UP and DOWN buttons to set the minutes.
- (viii) Press OK to confirm.
- (ix) Press MENU to finish.



Hint: If you only want to change the day or hour, you can exit setting the clock at any time by pressing MENU.

## B Program Mode – Navigating Program Mode

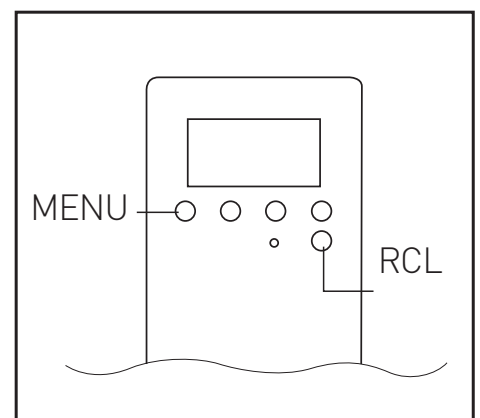
Change to Program Mode – press MENU once from Clock Mode or twice from Countdown Mode.

The number 1 and word ON will flash, meaning you are looking at the 1st Program ON time.

If no days are shown and the time is --:--:-- this means no time has been set.

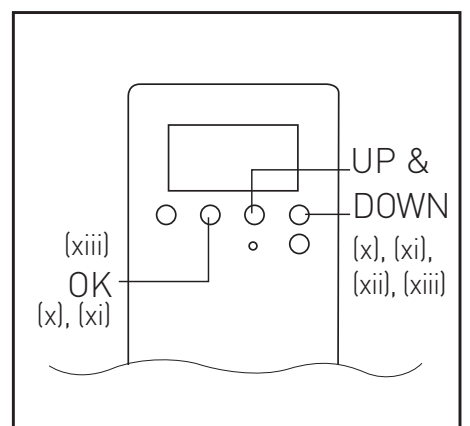
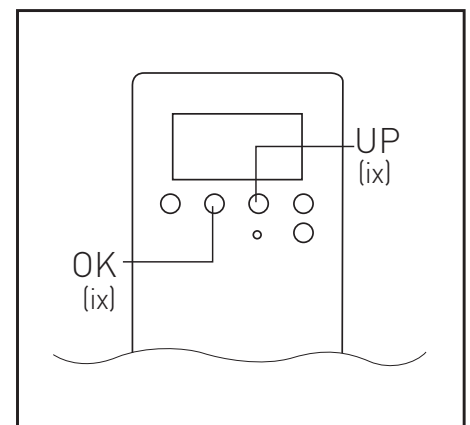
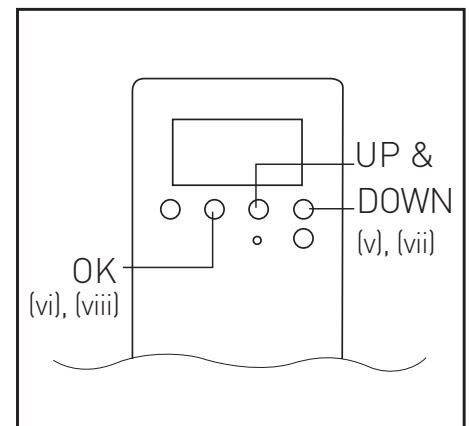
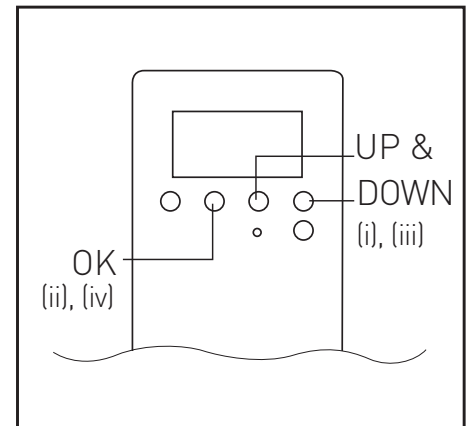
Press RCL to delete a programmed time. To restore a deleted time press RCL again.

Press the UP button to change the display – now the number 1 and word OFF will flash, meaning you are looking at the 1st Program OFF time. Use the UP and DOWN buttons to scroll through the timer settings.



## C Program Mode – Setting a Program

- (i) In Program Mode use the UP and DOWN buttons scroll to the program you want to set. Example: Press the UP button once to scroll to Program 1 ON setting. The number 1 and word ON will flash.
- (ii) Press OK to enter the Program Setting Procedure. The day setting will flash.
- (iii) Use the UP and DOWN buttons to choose which days of the week you want the timer to operate. Day combinations include:
  - Daily (Monday – Sunday)
  - Monday, Tuesday, Wednesday, Thursday, Friday, Saturday or Sunday
  - Monday – Friday only
  - Monday – Saturday only
  - Saturday & Sunday only
  - Monday – Wednesday only
  - Thursday – Saturday only
  - Monday, Wednesday and Friday only
  - Tuesday, Thursday and Saturday only
 The day combinations allow for flexibility in program settings. You may like to scroll through the list a few times to get the feel for the combinations before confirming your setting.
- (iv) Press OK to confirm. The hour will flash.
- (v) Use the UP and DOWN buttons to choose what hour you want your device to switch ON. For example if you want the timer to come at 5:15pm press the UP button until 17:00 is displayed.
- (vi) Press OK to confirm. The minute setting will flash.
- (vii) Use the UP and DOWN buttons to finish



setting the time you want your device to switch ON.

In this example press the UP button until 17:15 is displayed.

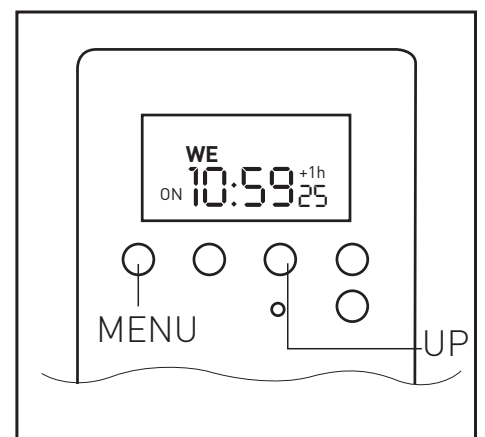
- (viii) Press OK to confirm. The number 1 and ON will flash.
- (ix) Press the UP arrow to move to the Program 1 OFF setting. Press OK to enter the program setting procedure. The day setting will flash.
- (x) Use the UP and DOWN buttons to choose which days of the week you want the timer to switch OFF. This will probably match your settings in Program 1 ON, but if you want your timer to remain ON overnight, remember to choose a setting that corresponds to the following day of the week. Press OK to confirm, the hour will flash.
- (xi) Use the UP and DOWN buttons to choose the hour you want your device to switch OFF. To set the OFF time to be 7:05pm, press the UP button until 19:00 is displayed. Press OK to confirm and the minute setting will flash.
- (xii) Use the UP and DOWN buttons to finish setting the OFF time. In this example press the UP button until 19:05 is displayed. Press OK to confirm.
- (xiii) Press MENU twice to return to clock mode or use the UP and DOWN buttons to scroll to other program settings if more are required.

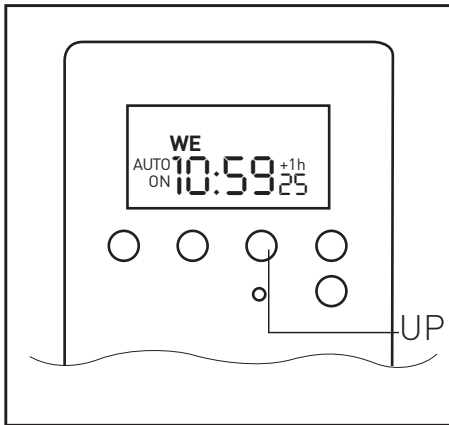
## D Activate the Timer and Timer Override

To have the timer automatically operate your device the word AUTO must be displayed when in Clock Mode.

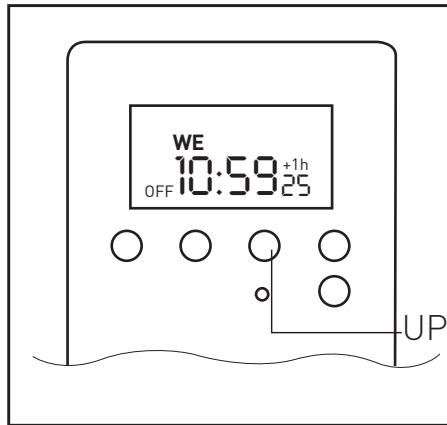
Press the UP button to scroll through 4 options:

- **ON:** power is available to your device at all times. This is the same as leaving your device plugged in at the wall.

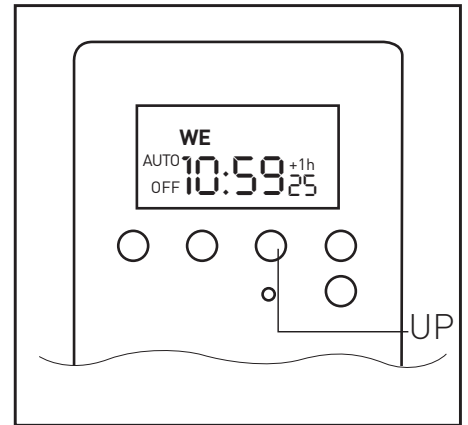




**- AUTO ON:** power is available to your device until the next OFF switching time. In the example in (xii), a lamp plugged into the timer will remain ON until 7:05 pm



**- OFF:** power will not be available to the device plugged into the timer. This is the same as turning off the power point. NB: This is a convenience setting. For safety HPM recommends unplugging the timer from the wall and using the device's OFF switch when performing maintenance tasks like replacing a globe.

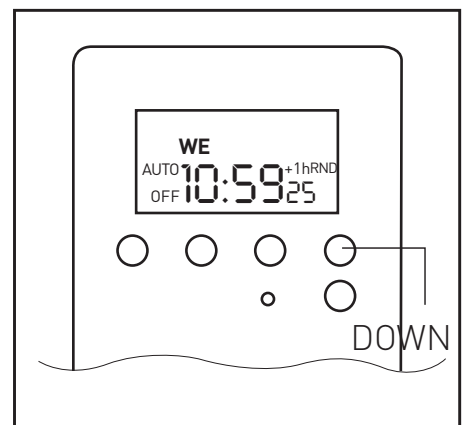


**- AUTO OFF:** power will not be available until the next ON switching time. In the example in (vii) a lamp will remain OFF until 5:15pm

## E Random Feature

The Random Feature will delay the preset ON and OFF times of your set programs by between 4 and 32 minutes. This means you can set one program to repeat every day but the switching pattern will vary a little from day to day. This feature is ideal to use with lamps when you go on holidays as the switching pattern is not predictable.

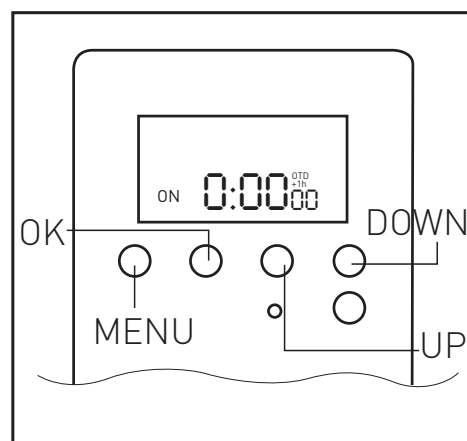
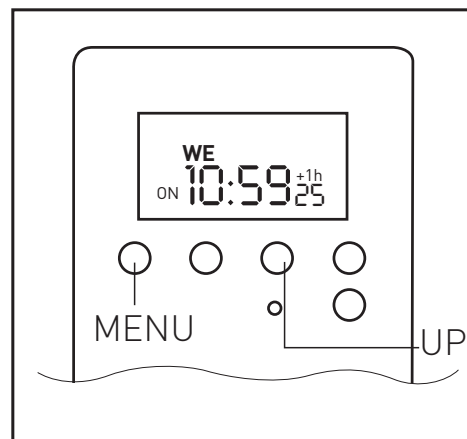
To turn on the Random Feature, in Clock Mode, press the DOWN button once. The letters RND will show on the display. To turn off the Random Feature, press the DOWN button again.



## F Countdown Mode

Countdown Mode lets you set up a delayed ON or OFF switching. It's a bit like a kitchen timer, except instead of an alarm ringing when the clock reaches zero, the timer switches power ON or OFF.

- (i) Before setting the Countdown time choose whether you want to turn power ON or OFF after the time has elapsed:
- In Clock Mode: use the UP button to switch the timer to ON or AUTO ON for a delayed switch OFF
  - In Clock Mode: use the UP button to switch the timer to OFF or AUTO OFF for a delayed switch ON
- (ii) Press MENU twice to scroll to Countdown Mode. The letters CTD will show on the display above the seconds.
- (iii) The display shows 0:00:00 and the hour position will flash. Use the UP and DOWN buttons to set the hour (0- 99). Press OK – the minutes position will flash.
- (iv) Use the UP and DOWN buttons to set the minute (0-59). Press OK – the seconds position will flash.
- (v) Use the UP and DOWN buttons to set the seconds (0-59). Press OK.
- (vi) The timer will start to count down straight away and the letters CTD will flash. After 2 minutes the display will return to Clock Mode. Countdown Mode overrides the programmed settings and Random Feature.
- (vii) To cancel the Countdown scroll to the Countdown Mode display and press RCL. Hint! Pressing the RCL button in Clock Mode will adjust between Standard and Daylight Savings Times – you must return to the Countdown Mode display to cancel the Countdown.



## Warranty

HPM Legrand warrants this product for a period of 3 years from the date of purchase.

These goods come with guarantees that cannot be excluded under the Australian and New Zealand Consumer Laws. You are entitled to a replacement or a refund for a major failure and for compensation for any other reasonably foreseeable loss or damage. You are also entitled to have the goods repaired if the goods fail to be acceptable quality and the failure does not amount to a major failure.

See the Warranty card enclosed with this product for further details.

## Customer Service

For all customer service and technical support enquiries please call Monday to Friday during business hours.

HPM Legrand Australia  
1300 369 777  
[www.hpm.com.au](http://www.hpm.com.au)

HPM Legrand - New Zealand  
0800 476 009  
[www.hpm.co.nz](http://www.hpm.co.nz)