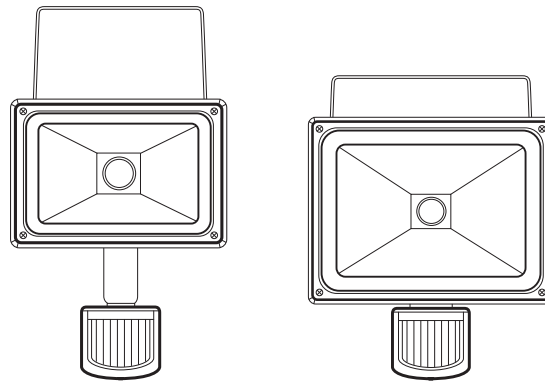




Forta LED Floodlight with Sensor

Cat. No. LFS0110WBL, LFS0130WBL

Instruction Manual



This product must be installed by a licensed electrician.

Introduction

This floodlight incorporates an automatic passive infrared (PIR) sensor. The sensor continuously scans a preset operating zone and immediately switches the floodlight ON when it detects movement from people and animals. It can be used to illuminate pathways, steps, patios, porches or other areas that require lighting for reasons of safety, convenience or security. Whilst there is movement within the scanning area the floodlight will remain on.

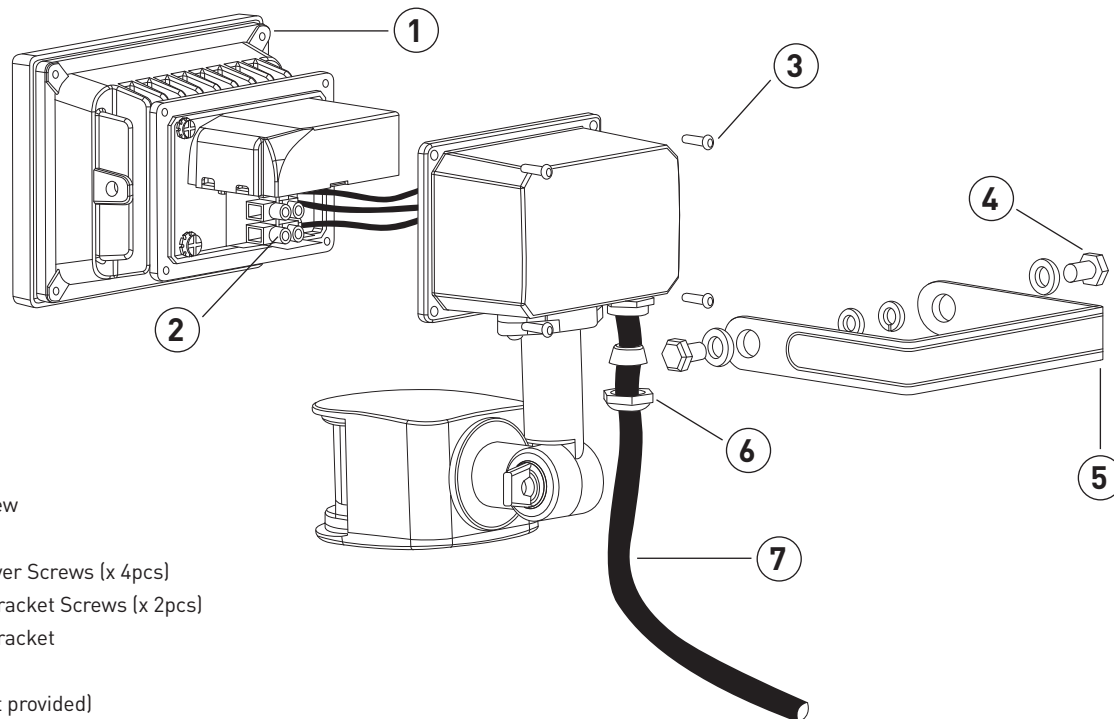
Where to fit your floodlight

Before selecting a place to install your floodlight you should note that movement across the scan area is more effective than movement directly toward or away from the sensor (refer FIG. 1B). If movement is made walking directly towards or away from the sensor and not across, the apparent detection range will be substantially reduced (refer FIG. 1A). Always mount the floodlight in a sheltered position, i.e. under the eaves of the house.

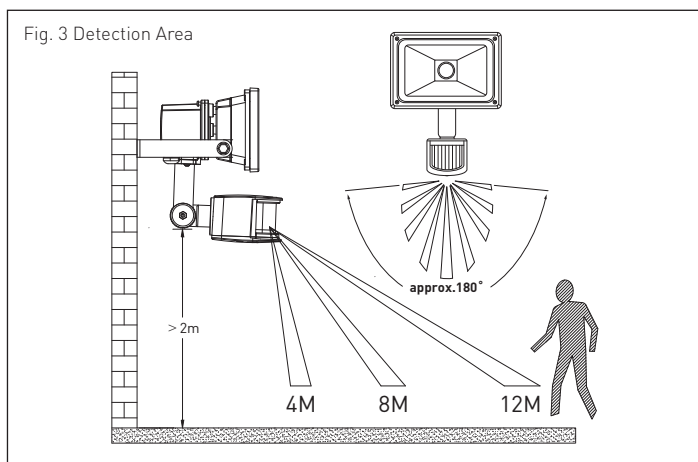
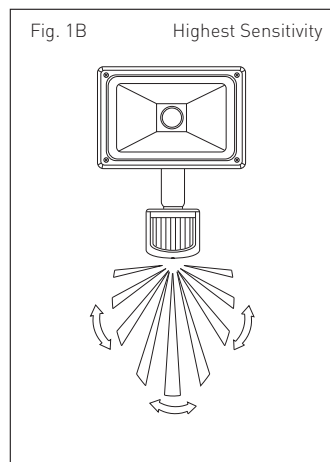
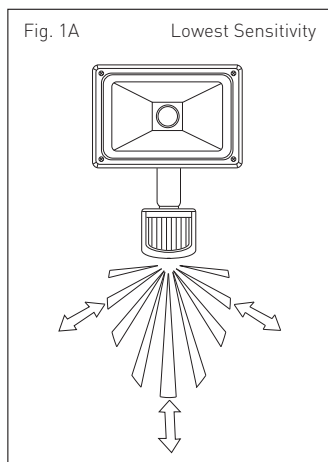
Do not operate in close proximity to combustible materials or substances affected by heating or drying. Keep a minimum distance of 0.5m from adjacent objects.

Ideally the floodlight should be mounted more than 2m above the area to be scanned (refer to Fig. 3).

Fig. 2



- 1 Lamp Cover Screw
- 2 Terminal Block
- 3 Junction Box Cover Screws (x 4pcs)
- 4 Wall Mounting Bracket Screws (x 2pcs)
- 5 Wall Mounting Bracket
- 6 Gland
- 7 Power Cable (not provided)

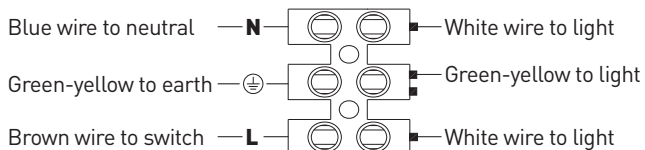


Installation

Installing a wall switch adjacent to the power source is recommended.

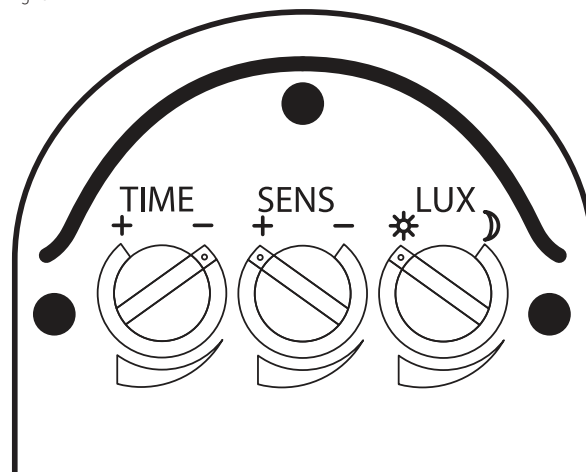
1. Remove mounting bracket from the fitting and use to mark position on the wall/ceiling.
2. Mount the bracket on the wall/ceiling. Ensure the method of fixing can support up to a 10kg weight.
3. Reattach fitting to the bracket. * Do not tighten bolts completely to allow for mains wiring termination.
*Ensure that cord gland faces downwards in the final mounting position as shown in Fig.2
4. Choose rubber-sheathed 3-core circular cord, H05RN-F 3G 1mm² (not supplied) for the mains wiring.
5. Remove junction box cover, strip insulation from cord and insert in to cord gland. Wire up as shown in Fig 4.
6. Replace junction box cover and tighten screws to ensure a weatherproof seal. Tighten gland.
7. Orient fitting to desired position and tighten bolts completely.
8. DO NOT MEGGER TEST

Fig. 4



Setting the controls

Fig. 5



Dial settings show
TEST MODE

With floodlight fully installed by electrician and power on

1. Turn the LUX control knob to light (☀) position, turn the wall switch on and wait 30 seconds for the control circuit to stabilise. Ensure the TIME control knob is set at minimum (-). The lamp on the sensor light will now switch on and will remain on for about 10sec.
2. Direct the sensor toward the desired scanning area by adjusting the elbow joint and swivel joint on the sensor arm. Important: loosen all lock nuts and screws on sensor arm and wall mount bracket before making any adjustments.
3. Have someone move across the centre of the area to be scanned and slowly adjust the angle of the sensor arm until the unit senses the moving person, causing the lamp to switch on. (Refer Fig.1 B)
4. Adjust time control to required setting.
5. To set the light level at which the lamp will automatically switch "On", turn the LUX control knob from daylight to night. If the lamp is required to switch on earlier, e.g. dusk, wait for the desired light level, then slowly turn the LUX control knob towards daylight while someone walks across the centre of the area to be detected. When the lamp switches on, release the LUX knob. You may need to make further adjustments to achieve your ideal light level setting.

Important: To avoid dust build-up and ensure proper functioning of the sensor light, wipe the sensor lens lightly with a damp cloth every 3 months. Never modify the unit, there are no user serviceable parts inside.

Understanding the controls

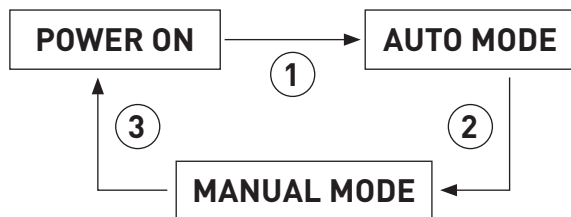
Adjusting the duration time

The length of time that the unit remains switched on after activation can be adjusted from 10±5 seconds to 4±1 minutes. Rotating the TIME knob anticlockwise from (+) to (-) reduces the duration time. Note: Once the light has been triggered by the PIR sensor any subsequent detection will start the timed period again from the beginning.

Adjusting the LUX control level

The LUX control module has a built-in sensing device (photocell) that detects daylight and darkness. Rotate the LUX knob anticlockwise from light (☀) to dark (🌙). The (☀) position will allow the floodlight to work day and night, and the (🌙) position works only at night. You can set the unit to operate at the desired level by adjusting the LUX knob.

How to change into manual control mode



1. When power is first switched on, the PIR detector enters into the WARM-UP period for about 1 minute, then automatically changes into AUTO MODE.
2. During AUTO MODE, by switching the ON/OFF main switch off & on twice in about 3 seconds, the PIR detector will automatically change into MANUAL MODE. In MANUAL MODE, the flood light will remain ON for 8 hours. It will not be affected by duration time and Lux control level. After 8 hours, the PIR detector will change back to AUTO MODE.
3. During MANUAL MODE, by switching the ON/OFF main switch off & on twice in about 3 seconds, the PIR detector will automatically change into AUTO MODE.
4. During AUTO MODE or MANUAL MODE, by switching off the ON/OFF main switch over 10 seconds and then on again, the PIR detector will reset to WARM-UP period.

Specifications

Cat no.	LFS0110WBL	LFS0130WBL
Supply voltage	230-240V a.c. 50Hz	
Input power	11W	32W
Power output	10W	30W
Lumens output	730lm	2250lm
Colour temperature	Cool white 4000K nominal	
Mounting height	> 2m (recommended)	
Protection class	Class 1	
Weatherproof rating	IP44	
Size (mm)	115 x 130 x 200 mm	228 x 188 x 270 mm
Weight (excl packaging)	0.7kg	1.7kg
Power cord requirement	H05RN-F 3G 1mm ²	
PIR sensor		
Standby power	< 1.0W	
Detection range	12m (max), 180° scan	
Time adjustment	10 ±5 sec to 4 ±1 min	
Switching function	Auto mode / manual override	

Disclaimers

1. This product must be installed and used as per these instructions.
2. An IP rating of IP44 is generally considered suitable for external walls with supplementary protection such as overhanging eaves.
3. The IP rating of this product is only valid when installed on a flat and non-porous surface. Additional sealing may be required for irregular surfaces.
4. The fixing screws on this product should be tightened to a maximum torque of 0.8Nm. Over tightening may damage the product.
5. This product contains no serviceable parts and no attempt should be made to repair this product. If the product is faulty it should be discarded.
6. This product is not suitable for installation in hazardous and/or corrosive areas.
7. Electrical installations periodically receive transient over voltages. This product has been designed to minimise the effect of such voltages on connected equipment. It may not give full protection for extreme over- voltage transients such as those resulting from a close lighting strike.
8. This product utilises intellectual property in the form of registered designs, trademarks, and/or patents. Such intellectual property remains the property of HPM Legrand in all cases.
9. HPM Legrand reserves the right to modify the specification of this product at any time.
10. This product has been designed to operate in ambient temperatures: -10°C to 40°C.
11. The material in this product may vary in colour from batch to batch. Colour matching from one batch to another cannot be guaranteed.

Warranty

HPM Legrand warrants this product for a period of 3 years from the date of purchase.

These goods come with guarantees that cannot be excluded under the Australian and New Zealand Consumer Laws. You are entitled to a replacement or a refund for a major failure and for compensation for any other reasonably foreseeable loss or damage. You are also entitled to have the goods repaired if the goods fail to be acceptable quality and the failure does not amount to a major failure.

See the Warranty card enclosed with this product for further details.

Customer Service

For all Customer Service and Technical Support please call Monday to Friday during business hours.

HPM Legrand Australia
1300 369 777
www.hpm.com.au

HPM Legrand New Zealand
0800 476 009
www.hpm.co.nz

ABN: 31 000 102 661

A Group brand | 