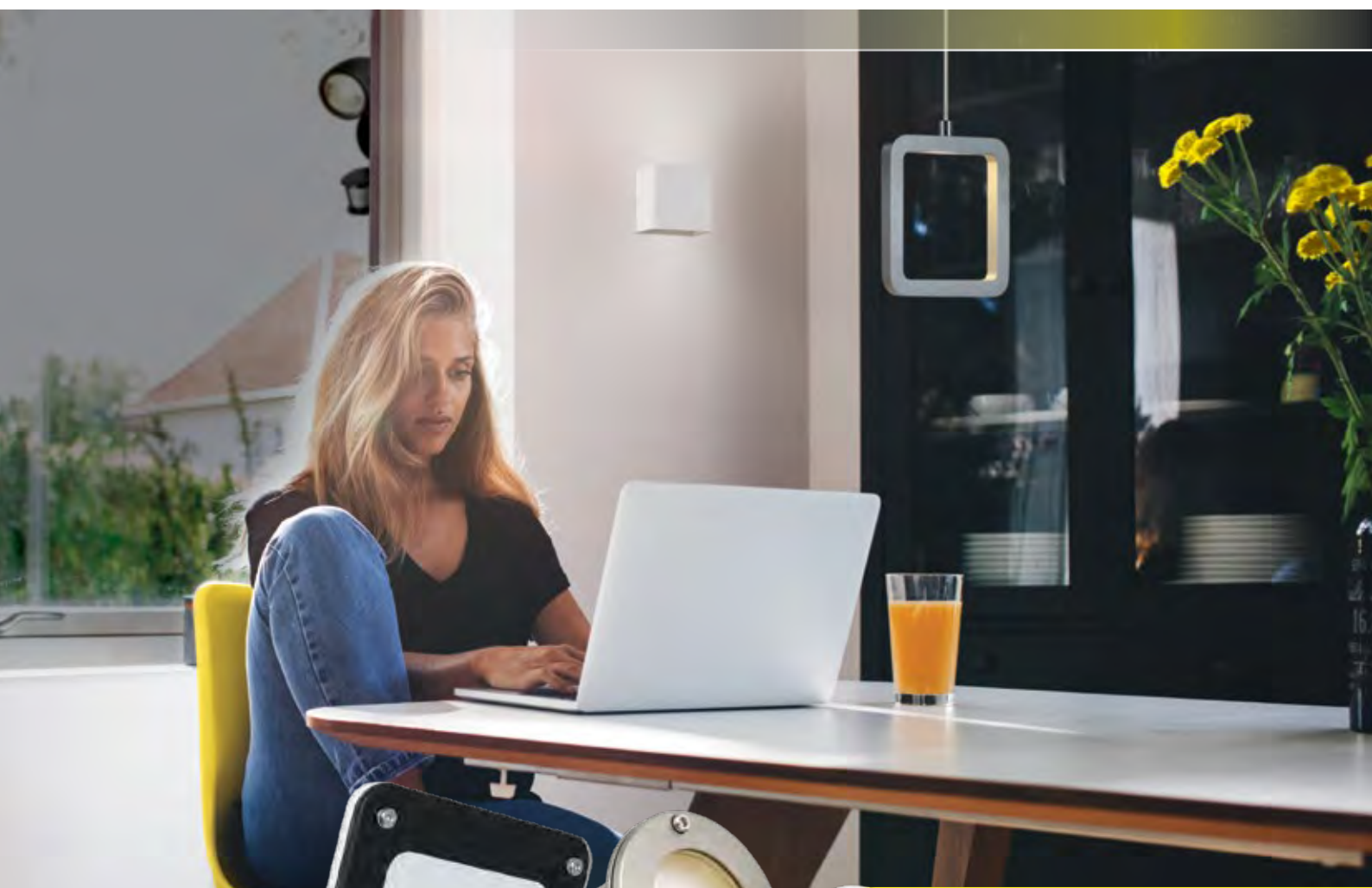




A brand of  legrand®

LED LIGHTING



BRIGHT
STYLISH
EFFICIENT

2018 - EDITION 5



CONTENTS

LED LIGHTING EXPLAINED	4
LED LIGHTING FIXTURES	6
INDOOR	
DOWNLIGHTS	8
PANEL LIGHTS	28
OYSTER LIGHTS	30
SPOTLIGHTS	36
PENDANT LIGHTS	38
UP/DOWN LIGHTS	42
STRIP LIGHTS	46
BATTENS	48
OUTDOOR	
DECK LIGHTS	54
STEP LIGHTS	56
STARLIGHTS	58
UP/DOWN LIGHTS	60
ADJUSTABLE LIGHTS	70
BUNKER LIGHTS	76
FLOODLIGHTS	84
WORKLIGHTS	100
DIMMERS AND LED COMPATIBILITY	102
DOWNLIGHT ACCESSORIES	104
LIGHTING SENSORS	104
INDEX OF PROTECTION	105
LED LIGHTING GLOBES	106
LED GARDEN LIGHTING	120
BENEFITS	122
SPOTLIGHTS	124
POND SPOTLIGHTS	136
BOLLARDS	140
WALL & STEP LIGHTS	144
DECK LIGHTS	150
TRANSFORMERS	154
CABLE & TRANSFORMER CONFIGURATION CHART	158
CABLES	160
ACCESSORIES	162

LED LIGHTING EXPLAINED

LIGHT COLOUR

Expressed in Degrees Kelvin (K), light colours are the key to determining the mood of a room.

WARM WHITE	DEGREES	2700-3000K
	DESCRIPTION	SOFTER, WARMER LIGHT Comparable to traditional incandescent lighting. Preferred in cooler climates
	ROOM	Bedroom, living room, bathroom, kitchen
COOL WHITE	DEGREES	4000K
	DESCRIPTION	NEUTRAL LIGHT Used for task lighting and preferred in warmer, tropical climates
	ROOM	Laundry, garage, study, bathroom, kitchen

AVERAGE LAMP LIFE

LED 30,000 HOURS	COMPACT FLUORESCENT 10,000 HOURS	INCANDESCENT 1,000 HOURS
------------------	----------------------------------	--------------------------

DURABILITY: LEDs are very long-lasting compared to other lighting technologies, with an average 30,000 hours life expectancy. We use quality components which make our lamps even more durable, being laboratory tested and assessed at 30,000 hours life expectancy. That represents approximately 20 years based on 3 to 4 hours usage per day.

DIMMING COMPATIBILITY

Critical to a successful installation is an understanding of LED compatibility with dimmers.

HPM is one of the only major brands on the market to deliver a full solution from dimmers to drivers and LED fixtures. Choose the winning combination of HPM LED fixtures and HPM or Legrand dimmers to ensure superior performance – including smooth dimming with no flickering, reliability and long life.



LIGHT PERFORMANCE

LIGHT OUTPUT	INCANDESCENT	HALOGEN	CFL	LED
220 lm	25W	18W	5-7W	3W
420 lm	40W	28W	7-8W	4-5W
720 lm	60W	42W	11-12W	6-8W
930 lm	75W	52W	13-18W	9-13W
1300 lm	100W	70W	18-23W	16-20W

LUMINOUS EFFICACY (lm/W)

Picking a lamp fixture based only on wattage or physical size could result in the wrong choice: Wattage (measured in W) represents the power consumed by the luminaire. The actual output of a lamp is measured in lumens (lm): the more lumens, the more light emitted by the luminaire. A smart criteria for determining the efficiency of a light fixture is its lumens/Watt ratio, which represents how much light the fixture delivers versus what it consumes to perform. This value is called luminous efficacy, and proves LED lights are more efficient than other light technologies.

COLOUR RENDERING INDEX (CRI)

CRI measures how well a lamp makes colours appear. CRI scores light sources from 1 – 100: a high CRI means that the eye can pick up slight variations in colour, making details in an interior appear sharper and more vibrant. For outstanding colour rendering, opt for our Dalia series which boasts a very high 92 index.

Our downlights range from 80 to 92, to enhance skin tones, hues and textures in rooms.

BEAM ANGLE

The light effect from a luminaire is determined by its beam angle. That is the shape and direction of light generated by the lamp. Most conventional fixtures deliver a focused light distribution at 35-60° beam angle, but LED technology can go well above those values, while still maintaining a fair pool of light.

Our lights deliver beam angles ranging from 80 to 120° to ensure a beautiful light is spread throughout a room.

OUR QUALITY PROMISE



DIMMING COMPATIBILITY

Many of our lights are capable of being dimmed effectively. For optimum dimming performance and to reduce flickering, use HPM or Legrand dimmers. See pages 102-103 for more details.



INSULATION RATING

All recessed luminaires included in this brochure have an insulation rating of IC, IC-F, IC-4, CA80 and CA90. This means insulation may abut or cover the LED luminaire.



NATA ACCREDITED LABORATORY

To ensure the highest possible quality assurance standards all HPM lighting fixtures and lamps are tested in our NATA accredited laboratory in Sydney.



IP RATING

All our products are assured against insects and moisture, with IP ratings ranging from IP42 to IP65. See IP chart on page 105 for more information.

LED LIGHTING FIXTURES



OROYA OUTDOOR BUNKER LIGHT (12W)

The Oroya is a great choice as a weatherproof outdoor lighting solution with the versatility of being mounted on a wall or in a ceiling. With a weatherproof IP65 rating, it is the ideal solution as an outdoor oyster light or bunker wall light.



Main applications
Outdoor walls and ceilings

Power	12W	
Lumen output	Cool White	870 lm
Efficacy	Cool White	72 lm/W
Colour temperature	Cool White	4,000K
CRI	80+	
Construction	UV resistant polycarbonate	
Package contents	12W outdoor light fixture, wall plugs and screws	
Product codes	White Finish Cool White Light	LBL014KWE
	Black Finish Cool White Light	LBL014KBL

**BEAM
ANGLE 120°**



**870
LUMENS**

**WALL OR
CEILING
MOUNTING**

**IP65
WEATHERPROOF**

**3 YEAR
WARRANTY**



OVALIA OUTDOOR BUNKER LIGHT (6W)

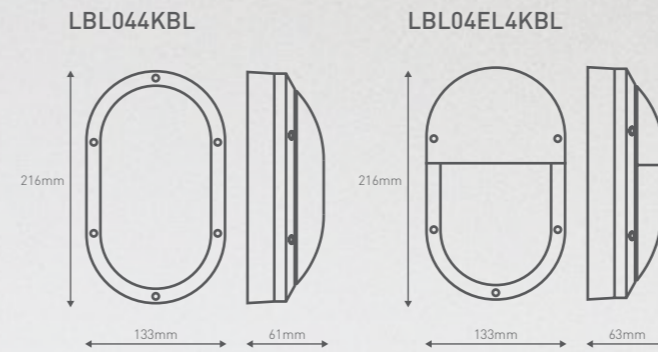
NEW

A small, compact bunker light that delivers an exceptional illumination every time, Ovalia does not disappoint. This 'fun-sized' wall light adds the perfect splash of light play, without overpowering an outdoor area with too much light. Its energy consumption matches its mini size - the LED globe provides a low cost solution that will save you a ton of energy. A mini solution that promises maximum performance.



Main applications
Outdoor walls and ceilings

	LBL044KBL	LBL04EL4KBL
Power	7W	6W
Lumen output	Cool White 485 lm	420 lm
Efficacy	Cool White 69 lm/W	68 lm/W
Colour temperature	Cool White	4,000K
CRI	80+	
Lifespan	30,000 h	
Constructions	UV resistant polycarbonate	
Package contents	6-7W outdoor light fixture, wall plugs and screws	
Product codes	Black Finish Cool White Light	LBL044KBL
	Black Fascia Cool White Light	LBL04EL4KBL



UP TO
485
LUMENS

WALL OR
CEILING
MOUNTING

IP65
WEATHERPROOF

5 YEAR
WARRANTY



NEW

SELENTA OUTDOOR BUNKER LIGHT (12W)

It's rare to find a square-shaped bunkerlight. Through popular demand, we have designed Selenta. With its sleek, modern lines and unique, square-shaped finish, this long-lasting LED wall light will be an eye-catcher. So, don't be a square, jazz up your outdoor area!

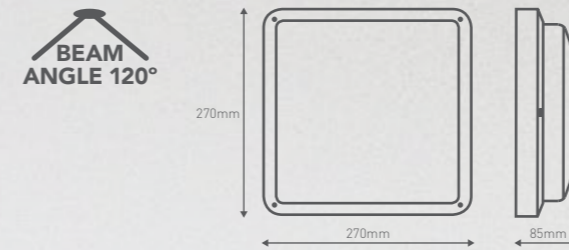


Main applications

Outdoor walls and ceilings



Power	12W
Lumen output	Cool White 870 lm
Efficacy	Cool White 72 lm/W
Colour temperature	Cool White 4,000K
CRI	80+
Construction	UV resistant polycarbonate
Package contents	12W outdoor light fixture, wall plugs and screws
Product codes	White Finish Cool White Light LBL024KWE Black Finish Cool White Light LBL024KBL



870 LUMENS

WALL OR CEILING MOUNTING

IP65 WEATHERPROOF

5 YEAR WARRANTY



ELLIPTICA OUTDOOR BUNKER LIGHT (20W)

NEW

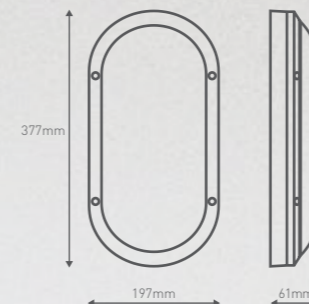
Now here's a bunker light that makes outdoor wall lighting sexy! With its smooth curves, Elliptica adds the perfect amount of light play to any outdoor area, instantly jazzing up dark, drab walls with a sleek, modern oval-shaped finish. If you like an ultra-modern, simplistic look, this stunner will tick every box!



Main applications
Outdoor walls and ceilings

Power	17W	
Lumen output	Cool White	1700 lm
Efficacy	Cool White	100 lm/W
Colour temperature	Cool White	4,000K
CRI	80+	
Construction	UV resistant polycarbonate	
Package contents	17W outdoor light fixture, wall plugs and screws	
Product codes	White Finish Cool White Light	LBL034KWE
	Black Finish Cool White Light	LBL034KBL

**BEAM
ANGLE 110°**



**1700
LUMENS**

**WALL OR
CEILING
MOUNTING**

**IP65
WEATHERPROOF**

**5 YEAR
WARRANTY**



DIMMER COMPATIBILITY



LED FIXTURE RANGE	DIMMER TYPE	DIMMERS COMPATIBILITY	MAXIMUM LIGHTS PER DIMMER	DIMMING RANGE
DLI70 Downlights	Trailing edge only	400A3P	16	100%-1%
		400A2P	16	89%-7%
		250T	11	100%-7%
		400T	16	94%-8%
		700T	28	100%-15%
		1000T	40	100%-18%
AZA+ Downlights DLI90, DLI110, DLI125 & DLI150 Downlights	Trailing edge only	400A3P	12	100%-1%
		400A2P	12	97%-9%
		250T	8	100%-7%
		400T	12	100%-7%
		700T	21	100%-13%
Dalia Downlights Azalea Downlights Freesia Downlights Luna Panel Lights Calla Step Lights Zinnia Starlights	Trailing edge & leading edge	400A3P	8	100%-5%
		400A2P	8	100%-10%
		250T / 250L	5	100%-10%
		400T / 400L	8	100%-10%
		700T / 700L	14	100%-25%
		1000T / 1000L	20	100%-25%
DLS Downlights	Trailing edge only	400A3P	8	100%-10%
		400A2P	8	100%-10%
		250T	5	100%-10%
		400T	8	100%-10%
		700T	14	100%-25%
		1000T	20	100%-25%

Note: Not all LED lights are dimmable, refer to product details to confirm suitability for dimming.



LEGRAND EXCEL LIFE™



EM400A3P (3 wire)
EM400A2P (2 wire)
Excel Life 400VA all load 2 & 3 wire electronic push-button dimmer mechanism
White: EM400A3PWE
EM400A2PWE
Urban Grey: EM400A3PUG
EM400A2PUG



EM250T*
Excel Life 250VA 2 wire trailing edge rotary dimmer mechanism
White: EM250TRWE
Urban Grey: EM250TRUG



EM400T*
Excel Life 400VA 2 wire trailing edge rotary dimmer mechanism
White: EM400TRWE
Urban Grey: EM400TRUG



LEGRAND ARTEOR™



AR400A3P (3 wire)
AR400A2P (2 wire)
Arteor 400VA all load 2 & 3 wire push-button dimmer mechanism
White: AR400A3PMWE
AR400A2PMWE
Magnesium:
AR400A3PMMGN
AR400A2PMMGN



AR400T / AR400L*
Arteor 400VA 2 wire rotary dimmer mechanism
White: AR400TMWE
AR400LMWE
Magnesium: AR400TMMGN
AR400LMMGN



HPM LINEA™ AND EXCEL



400A2P (2 wire)
Excel or Linea and 400VA (2 wire) electronic push-button dimmer mechanism
White: 400A2PWE



250T / 250L*
Excel or Linea 250VA 2 wire rotary dimmer mechanism
White: 250LMWE 250TMWE
Also available in black & cream



400T / 400L*
Excel or Linea 400VA 2 wire rotary dimmer mechanism
White: 400TMWE 400LMWE
Also available in black & cream



700T / 700L*
Excel or Linea 700VA 2 wire rotary dimmer mechanism
White: 700TMWE 700LMWE



1000T / 1000L*
Excel or Linea 1000VA 2 wire rotary dimmer mechanism
White: 1000TMWE 1000LMWE



VIVO™



EVM400A3* (3 wire)
EVM400A2* (2 wire)
VIVO 400VA all load 2 & 3 wire electronic push button dimmer mechanism
White: EVM400A3WE,
EVM400A2WE
Grey: EVM400A3GR,
EVM400A2GR

*T = Trailing Edge, L = Leading Edge

ACCESSORIES

DOWNLIGHT EXTENSION PLATES

Cat No.	Image	Description
LEP120WE		Suitable for hole cut-outs up to Ø120mm
LEP150WE		Suitable for hole cut-outs up to Ø150mm

Suitable for: DLI90, AZA+, Dalia, Azalea, and DLS series

LIGHTING SENSORS

Passive infrared (PIR) sensor

Sensitive to a person's skin temperature through emitted body radiation, in contrast to background objects at room temperature. HPM range of sensors is suitable for both indoor and outdoor for various locations throughout the house including corridors, wardrobes, secluded walkways and garages.

Whether used for extra safety around the house or for convenience indoors, these deliver great energy savings all year round.

Cat No.	Image	Description	Finish	Manual override	IP Rating	Application	Mounting type	Detection range	Detection angle	Time delay
630S01BL		180° PIR Sensor	Black	No	IP44	Indoor/Outdoor	Wall Surface Mounted	12m	180°	8s to 7min
630S01WE		180° PIR Sensor	White	No	IP44	Indoor/Outdoor	Wall Surface Mounted	12m	180°	8s to 7min
630SM01BL		180° PIR Sensor	Black	Yes	IP44	Indoor/Outdoor	Wall Surface Mounted	12m	180°	8s to 7min
630SM01WE		180° PIR Sensor	White	Yes	IP44	Indoor/Outdoor	Wall Surface Mounted	12m	180°	8s to 7min
630S02WE		360° PIR Sensor	White	No	IP20	Indoor	Ceiling Surface mounted	8m	360°	10s to 10min
630R02WE		360° PIR Sensor	White	No	IP41	Indoor	Ceiling Surface mounted	8m	360°	10s to 10min
630R01WE		360° PIR Sensor	White	No	IP20	Indoor	Ceiling surface mounted	6m	360°	10s to 15min
488TRI3W		Triscan 3-Wire Pir Sensor	White	Yes	IP66	Outdoor	Wall Surface Mounted	8m	120°	8s to 15min

INDEX OF PROTECTION

1. Protection against solid bodies and liquids: IP index of protection

Degrees of protection for enclosures of electrical equipment according to standards: IEC 60529, BS EN 60529 and NF EN 60529

First digit:

Protection against solid bodies (See AS 1939, Clause 5)

IP	Tests	IP
0	No protection	
1	Protected against solid bodies larger than 50 mm (e.g. accidental contact with the hand)	A
2	Protected against solid bodies larger than 12.5 mm (e.g. finger)	B
3	Protected against solid bodies larger than 2.5 mm (e.g. tools, wires)	C
4	Protected against solid bodies larger than 1 mm (e.g. fine tools and small wires)	
5	Protected against dust (no harmful deposit)	D
6	Completely protected against dust	

Second digit:

Protection of equipment against ingress of harmful liquids (See AS 1939, Clause 6)

IP	Tests	IP
0	No protection	
1	Protected against vertically-falling drops of water (condensation)	
2	Protected against drops of water falling at up to 15° from the vertical	
3	Protected against drops of rain water at up to 60° from the vertical	
4	Protected against projections of water from all directions	
5	Protected against jets of water (from all directions)	
6	Protected against jets of water of similar force to heavy seas	
7	Protected against the effects of immersion	
8	Protected against prolonged effects of immersion	

2. Protection IK, against mechanical impact.

According to standards: IEC 62262, BS EN 62262 and NF EN 62262

IK	Tests	Impact energy (in Joules)
IK 00		0
IK 01		0.15
IK 02		0.2
IK 03		0.35
IK 04		0.5
IK 05		0.7

IK	Tests	Impact energy (in Joules)
IK 06		1
IK 07		2
IK 08		5
IK 09		10
IK 10		20

• This table can be used to ascertain the resistance of a product to an impact given in Joules from the IK code (graduated from 00 to 10)



A brand of **legrand**



Member of:



Disclaimer: The information provided in this document is intended for informational purposes only has been prepared and reviewed with all reasonable care, believed to be correct at the time of printing. Legrand Australia and New Zealand may also make improvements and/or changes in the products, pricing and/or programs described in this information at any time without notice.

Legrand Australia

Building 4, Nexus Industry Park
43-47 Lyn Pde Prestons NSW 2170
1300 369 777
www.hpm.com.au

Legrand New Zealand

106-124 Target Road Glenfield
Auckland 0627 New Zealand
0800 476 009
www.hpm.co.nz

HPML0707

03/2018