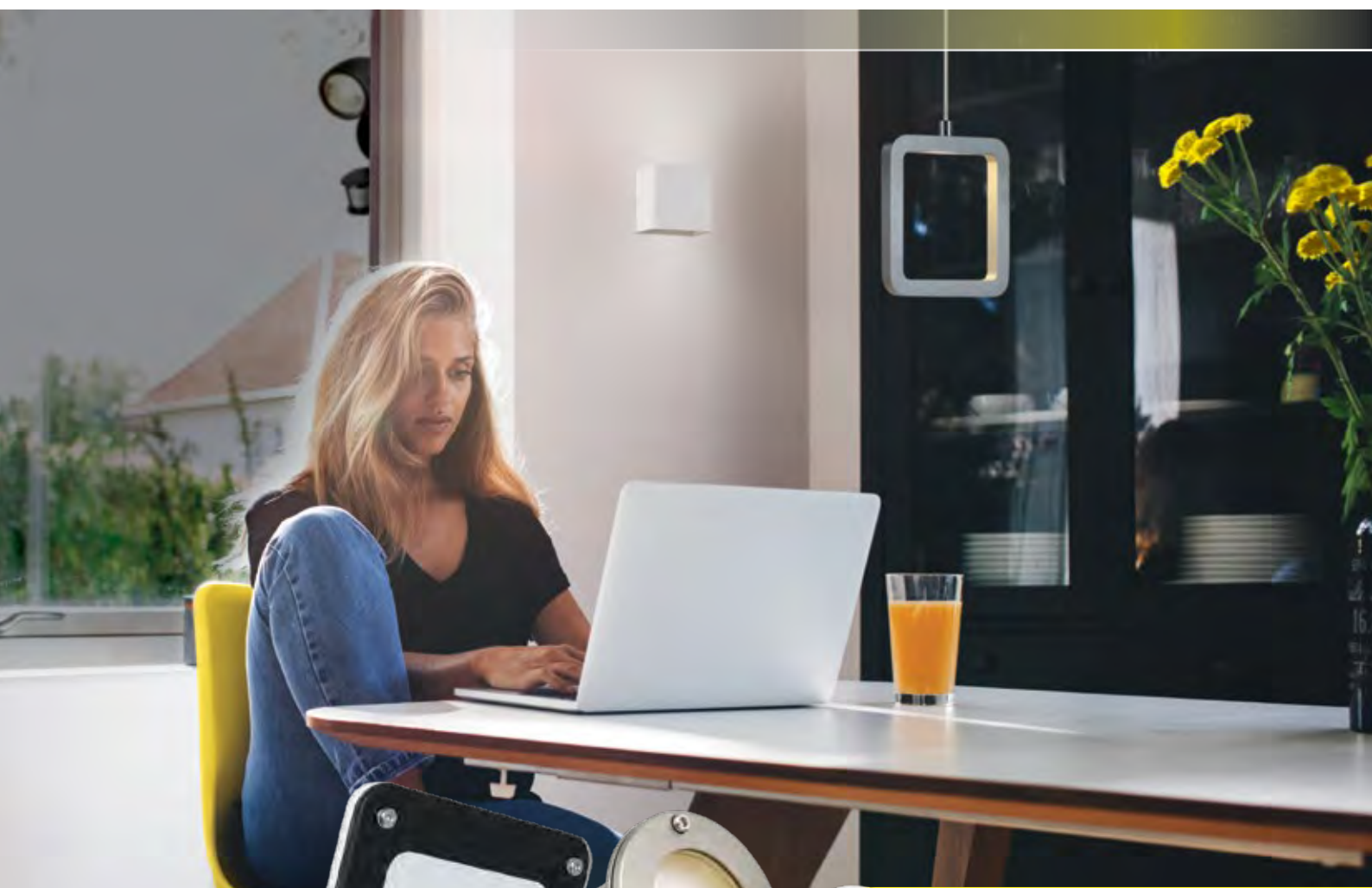




A brand of  legrand®

# LED LIGHTING



BRIGHT  
STYLISH  
EFFICIENT

2018 - EDITION 5



# CONTENTS

<b>LED LIGHTING EXPLAINED</b>	4
<b>LED LIGHTING FIXTURES</b>	6
<b>INDOOR</b>	
DOWNLIGHTS	8
PANEL LIGHTS	28
OYSTER LIGHTS	30
SPOTLIGHTS	36
PENDANT LIGHTS	38
UP/DOWN LIGHTS	42
STRIP LIGHTS	46
BATTENS	48
<b>OUTDOOR</b>	
DECK LIGHTS	54
STEP LIGHTS	56
STARLIGHTS	58
UP/DOWN LIGHTS	60
ADJUSTABLE LIGHTS	70
BUNKER LIGHTS	76
FLOODLIGHTS	84
WORKLIGHTS	100
<b>DIMMERS AND LED COMPATIBILITY</b>	102
<b>DOWNLIGHT ACCESSORIES</b>	104
<b>LIGHTING SENSORS</b>	104
<b>INDEX OF PROTECTION</b>	105
<b>LED LIGHTING GLOBES</b>	106
<b>LED GARDEN LIGHTING</b>	120
BENEFITS	122
SPOTLIGHTS	124
POND SPOTLIGHTS	136
BOLLARDS	140
WALL & STEP LIGHTS	144
DECK LIGHTS	150
TRANSFORMERS	154
CABLE & TRANSFORMER CONFIGURATION CHART	158
CABLES	160
ACCESSORIES	162

# LED LIGHTING EXPLAINED

## LIGHT COLOUR

Expressed in Degrees Kelvin (K), light colours are the key to determining the mood of a room.

<b>WARM WHITE</b>	DEGREES	2700-3000K
	DESCRIPTION	<b>SOFTER, WARMER LIGHT</b> Comparable to traditional incandescent lighting. Preferred in cooler climates
	ROOM	Bedroom, living room, bathroom, kitchen
<b>COOL WHITE</b>	DEGREES	4000K
	DESCRIPTION	<b>NEUTRAL LIGHT</b> Used for task lighting and preferred in warmer, tropical climates
	ROOM	Laundry, garage, study, bathroom, kitchen

## AVERAGE LAMP LIFE

LED 30,000 HOURS	COMPACT FLUORESCENT 10,000 HOURS	INCANDESCENT 1,000 HOURS
------------------	----------------------------------	--------------------------

**DURABILITY:** LEDs are very long-lasting compared to other lighting technologies, with an average 30,000 hours life expectancy. We use quality components which make our lamps even more durable, being laboratory tested and assessed at 30,000 hours life expectancy. That represents approximately 20 years based on 3 to 4 hours usage per day.

## DIMMING COMPATIBILITY

Critical to a successful installation is an understanding of LED compatibility with dimmers.

HPM is one of the only major brands on the market to deliver a full solution from dimmers to drivers and LED fixtures. Choose the winning combination of HPM LED fixtures and HPM or Legrand dimmers to ensure superior performance – including smooth dimming with no flickering, reliability and long life.



## LIGHT PERFORMANCE

LIGHT OUTPUT	INCANDESCENT	HALOGEN	CFL	LED
220 lm	25W	18W	5-7W	3W
420 lm	40W	28W	7-8W	4-5W
720 lm	60W	42W	11-12W	6-8W
930 lm	75W	52W	13-18W	9-13W
1300 lm	100W	70W	18-23W	16-20W

## LUMINOUS EFFICACY (lm/W)

Picking a lamp fixture based only on wattage or physical size could result in the wrong choice: Wattage (measured in W) represents the power consumed by the luminaire. The actual output of a lamp is measured in lumens (lm): the more lumens, the more light emitted by the luminaire. A smart criteria for determining the efficiency of a light fixture is its lumens/Watt ratio, which represents how much light the fixture delivers versus what it consumes to perform. This value is called luminous efficacy, and proves LED lights are more efficient than other light technologies.

## COLOUR RENDERING INDEX (CRI)

CRI measures how well a lamp makes colours appear. CRI scores light sources from 1 – 100: a high CRI means that the eye can pick up slight variations in colour, making details in an interior appear sharper and more vibrant. For outstanding colour rendering, opt for our Dalia series which boasts a very high 92 index.

Our downlights range from 80 to 92, to enhance skin tones, hues and textures in rooms.

## BEAM ANGLE

The light effect from a luminaire is determined by its beam angle. That is the shape and direction of light generated by the lamp. Most conventional fixtures deliver a focused light distribution at 35-60° beam angle, but LED technology can go well above those values, while still maintaining a fair pool of light.

Our lights deliver beam angles ranging from 80 to 120° to ensure a beautiful light is spread throughout a room.

## OUR QUALITY PROMISE



### DIMMING COMPATIBILITY

Many of our lights are capable of being dimmed effectively. For optimum dimming performance and to reduce flickering, use HPM or Legrand dimmers. See pages 102-103 for more details.



### INSULATION RATING

All recessed luminaires included in this brochure have an insulation rating of IC, IC-F, IC-4, CA80 and CA90. This means insulation may abut or cover the LED luminaire.



### NATA ACCREDITED LABORATORY

To ensure the highest possible quality assurance standards all HPM lighting fixtures and lamps are tested in our NATA accredited laboratory in Sydney.



### IP RATING

All our products are assured against insects and moisture, with IP ratings ranging from IP42 to IP65. See IP chart on page 105 for more information.

# DIMMER COMPATIBILITY

LED FIXTURE RANGE	DIMMER TYPE	DIMMERS COMPATIBILITY	MAXIMUM LIGHTS PER DIMMER	DIMMING RANGE
DLI70 Downlights	Trailing edge only	400A3P	16	100%-1%
		400A2P	16	89%-7%
		250T	11	100%-7%
		400T	16	94%-8%
		700T	28	100%-15%
		1000T	40	100%-18%
AZA+ Downlights DLI90, DLI110, DLI125 & DLI150 Downlights	Trailing edge only	400A3P	12	100%-1%
		400A2P	12	97%-9%
		250T	8	100%-7%
		400T	12	100%-7%
		700T	21	100%-13%
Dalia Downlights Azalea Downlights Freesia Downlights Luna Panel Lights Calla Step Lights Zinnia Starlights	Trailing edge & leading edge	400A3P	8	100%-5%
		400A2P	8	100%-10%
		250T / 250L	5	100%-10%
		400T / 400L	8	100%-10%
		700T / 700L	14	100%-25%
		1000T / 1000L	20	100%-25%
DLS Downlights	Trailing edge only	400A3P	8	100%-10%
		400A2P	8	100%-10%
		250T	5	100%-10%
		400T	8	100%-10%
		700T	14	100%-25%
		1000T	20	100%-25%

**Note:** Not all LED lights are dimmable, refer to product details to confirm suitability for dimming.



**LEGRAND EXCEL LIFE™**



**EM400A3P (3 wire)**  
**EM400A2P (2 wire)**  
Excel Life 400VA all load 2 & 3 wire electronic push-button dimmer mechanism  
**White:** EM400A3PWE  
EM400A2PWE  
**Urban Grey:** EM400A3PUG  
EM400A2PUG



**EM250T\***  
Excel Life 250VA 2 wire trailing edge rotary dimmer mechanism  
**White:** EM250TRWE  
**Urban Grey:** EM250TRUG



**EM400T\***  
Excel Life 400VA 2 wire trailing edge rotary dimmer mechanism  
**White:** EM400TRWE  
**Urban Grey:** EM400TRUG



**LEGRAND ARTEOR™**



**AR400A3P (3 wire)**  
**AR400A2P (2 wire)**  
Arteor 400VA all load 2 & 3 wire push-button dimmer mechanism  
**White:** AR400A3PMWE  
AR400A2PMWE  
**Magnesium:**  
AR400A3PMMGN  
AR400A2PMMGN



**AR400T / AR400L\***  
Arteor 400VA 2 wire rotary dimmer mechanism  
**White:** AR400TMWE  
AR400LMWE  
**Magnesium:** AR400TMMGN  
AR400LMMGN



**HPM LINEA™ AND EXCEL**



**400A2P (2 wire)**  
Excel or Linea and 400VA (2 wire) electronic push-button dimmer mechanism  
**White:** 400A2PWE



**250T / 250L\***  
Excel or Linea 250VA 2 wire rotary dimmer mechanism  
**White:** 250LMWE 250TMWE  
Also available in black & cream



**400T / 400L\***  
Excel or Linea 400VA 2 wire rotary dimmer mechanism  
**White:** 400TMWE 400LMWE  
Also available in black & cream



**700T / 700L\***  
Excel or Linea 700VA 2 wire rotary dimmer mechanism  
**White:** 700TMWE 700LMWE



**1000T / 1000L\***  
Excel or Linea 1000VA 2 wire rotary dimmer mechanism  
**White:** 1000TMWE 1000LMWE



**VIVO™**



**EVM400A3\* (3 wire)**  
**EVM400A2\* (2 wire)**  
VIVO 400VA all load 2 & 3 wire electronic push button dimmer mechanism  
**White:** EVM400A3WE,  
EVM400A2WE  
**Grey:** EVM400A3GR,  
EVM400A2GR

\*T = Trailing Edge, L = Leading Edge

# ACCESSORIES

## DOWNLIGHT EXTENSION PLATES

Cat No.	Image	Description
LEP120WE		Suitable for hole cut-outs up to Ø120mm
LEP150WE		Suitable for hole cut-outs up to Ø150mm

Suitable for: DLI90, AZA+, Dalia, Azalea, and DLS series

## LIGHTING SENSORS

### Passive infrared (PIR) sensor

Sensitive to a person's skin temperature through emitted body radiation, in contrast to background objects at room temperature. HPM range of sensors is suitable for both indoor and outdoor for various locations throughout the house including corridors, wardrobes, secluded walkways and garages.

Whether used for extra safety around the house or for convenience indoors, these deliver great energy savings all year round.

Cat No.	Image	Description	Finish	Manual override	IP Rating	Application	Mounting type	Detection range	Detection angle	Time delay
630S01BL		180° PIR Sensor	Black	No	IP44	Indoor/Outdoor	Wall Surface Mounted	12m	180°	8s to 7min
630S01WE		180° PIR Sensor	White	No	IP44	Indoor/Outdoor	Wall Surface Mounted	12m	180°	8s to 7min
630SM01BL		180° PIR Sensor	Black	Yes	IP44	Indoor/Outdoor	Wall Surface Mounted	12m	180°	8s to 7min
630SM01WE		180° PIR Sensor	White	Yes	IP44	Indoor/Outdoor	Wall Surface Mounted	12m	180°	8s to 7min
630S02WE		360° PIR Sensor	White	No	IP20	Indoor	Ceiling Surface mounted	8m	360°	10s to 10min
630R02WE		360° PIR Sensor	White	No	IP41	Indoor	Ceiling Surface mounted	8m	360°	10s to 10min
630R01WE		360° PIR Sensor	White	No	IP20	Indoor	Ceiling surface mounted	6m	360°	10s to 15min
488TRI3W		Triscan 3-Wire Pir Sensor	White	Yes	IP66	Outdoor	Wall Surface Mounted	8m	120°	8s to 15min

# INDEX OF PROTECTION

## 1. Protection against solid bodies and liquids: IP index of protection

Degrees of protection for enclosures of electrical equipment according to standards: IEC 60529, BS EN 60529 and NF EN 60529

### First digit:

#### Protection against solid bodies (See AS 1939, Clause 5)

IP	Tests	IP
0	No protection	
1	Protected against solid bodies larger than 50 mm (e.g. accidental contact with the hand)	A
2	Protected against solid bodies larger than 12.5 mm (e.g. finger)	B
3	Protected against solid bodies larger than 2.5 mm (e.g. tools, wires)	C
4	Protected against solid bodies larger than 1 mm (e.g. fine tools and small wires)	
5	Protected against dust (no harmful deposit)	D
6	Completely protected against dust	

### Second digit:

#### Protection of equipment against ingress of harmful liquids (See AS 1939, Clause 6)

IP	Tests	IP
0	No protection	
1	Protected against vertically-falling drops of water (condensation)	
2	Protected against drops of water falling at up to 15° from the vertical	
3	Protected against drops of rain water at up to 60° from the vertical	
4	Protected against projections of water from all directions	
5	Protected against jets of water (from all directions)	
6	Protected against jets of water of similar force to heavy seas	
7	Protected against the effects of immersion	
8	Protected against prolonged effects of immersion	

## 2. Protection IK, against mechanical impact.

According to standards: IEC 62262, BS EN 62262 and NF EN 62262

IK	Tests	Impact energy (in Joules)
IK 00		0
IK 01		0.15
IK 02		0.2
IK 03		0.35
IK 04		0.5
IK 05		0.7

IK	Tests	Impact energy (in Joules)
IK 06		1
IK 07		2
IK 08		5
IK 09		10
IK 10		20

• This table can be used to ascertain the resistance of a product to an impact given in Joules from the IK code (graduated from 00 to 10)

# LED LIGHTING GLOBES



**NEW**

# A60 LED GLOBES T-SHAPE (12W TO 19W)

Great for living rooms with low ceilings where you don't quite want a pendant, but you want more than just a globe. But if change your mind and want to make more of a feature of this contemporary T-shape globe, then simply add it to a pendant!

**TIP**

Ideal for pendant kits and batten holders



BAYONET B22 (BC)



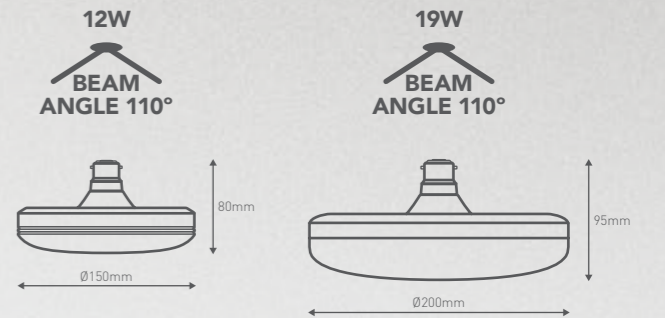
UP TO  
**1700**  
LUMENS

MAXIMUM EFFICACY  
UP TO 91lm/W

**BAYONET B22**

**3 YEAR WARRANTY**

<b>Power</b>	12W	19W
<b>Lumen output</b>	Warm White 1,100 lm	1,700 lm
<b>Efficacy</b>	Warm White 91 lm/W	89 lm/W
<b>Colour temperature</b>	Warm White	3,000K
<b>CRI</b>	80+	
<b>Lifespan</b>	20,000 h	
<b>Base</b>	Bayonet B22	
<b>Package contents</b>	A60 LED Globe 12W or 19W, mounted with Bayonet B22 base	
<b>Product code</b>		
	<b>12W Globe</b>	
	Warm White BC	<b>LT150013KBC</b>
	<b>19W Globe</b>	
	Warm White BC	<b>LT200013KBC</b>



# A60 LED DIMMABLE GLOBES (8W)

**NEW**

Where you want a warm light, these are ideal. They emit up to 875 lumens on a mere 8W. They're perfect in living areas, bedrooms, and hallways and create moody ambience

**875 LUMENS**

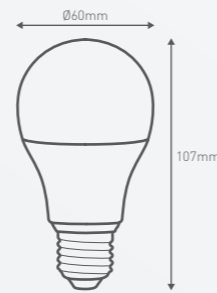
**MAXIMUM EFFICACY UP TO 109lm/W**

**B22 + E27 OPTIONS**

**3 YEAR WARRANTY**

<b>Power</b>	8W	
<b>Lumen output</b>	Warm White	875 lm
<b>Efficacy</b>	Warm White	109 lm/W
<b>Colour temperature</b>	Warm White	3,000K
<b>CRI</b>	80+	
<b>Dimming</b>	Trailing edge dimmers	
<b>Lifespan</b>	25,000 h	
<b>Base</b>	Bayonet B22   Edison E27	
<b>Package contents</b>	A60 LED Dimmable Globe 8W, mounted with Bayonet B22 or Edison E27 base	
<b>Product code</b>	<b>8W Globes</b>	
	Warm White BC	<b>LA60023KBCD</b>
	Warm White ES	<b>LA60023KESD</b>

**BEAM ANGLE 125°**



BAYONET B22 (BC)

EDISON E27 (ES)

# A60 LED GLOBES (5W TO 8W)

These are great energy-savers. They emit up to 1,035 lumens on a mere 8W. They're perfect in living rooms, bedrooms, and hallways. Start slashing your energy bills. And help the planet too.

**UP TO 1035 LUMENS**

**MAXIMUM EFFICACY UP TO 129lm/W**

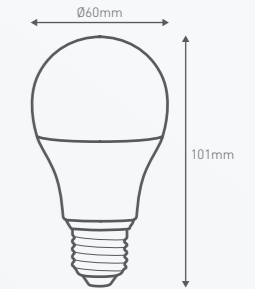
**B22 + E27 OPTIONS**

**3 YEAR WARRANTY**

<b>Power</b>	5W	8W
<b>Lumen output</b>	Warm White 490 lm Cool White 520 lm	945 lm 1,035 lm
<b>Efficacy</b>	Warm White 98 lm/W Cool White 104 lm/W	118 lm/W 129 lm/W
<b>Colour temperature</b>	Warm White Cool White	3,000K 4,000K
<b>CRI</b>	80+	
<b>Lifespan</b>	25,000 h	
<b>Base</b>	Bayonet B22   Edison E27	
<b>Package contents</b>	A60 LED Globe 5W or 8W, mounted with Bayonet B22 or Edison E27 base	
<b>Product code</b>	<b>5W Globes</b>	
	Warm White BC	<b>LA60013KBC</b>
	Warm White ES	<b>LA60013KES</b>
	Cool White BC	<b>LA60014KBC</b>
	Cool White ES	<b>LA60014KES</b>
	<b>8W Globes</b>	
	Warm White BC	<b>LA60023KBC</b>
	Warm White ES	<b>LA60023KES</b>
	Cool White BC	<b>LA60024KBC</b>
	Cool White ES	<b>LA60024KES</b>

**5W BEAM ANGLE 135°**

**8W BEAM ANGLE 175°**



BAYONET B22 (BC)

EDISON E27 (ES)

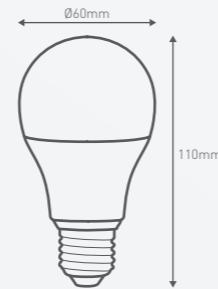


# A60 INSECT LED GLOBES (5W)

Ideal for living areas and undercover outdoor areas with its yellow light output deters insects.



<b>Power</b>	5W	
<b>Lumen output</b>	460 lm	
<b>Efficacy</b>	92 lm/W	
<b>Light Colour</b>	Yellow	
<b>Lifespan</b>	25,000 h	
<b>Base</b>	Bayonet B22   Edison E27	
<b>Package contents</b>	A60 LED Globe 5W mounted with Bayonet B22 or Edison E27 base	
<b>Product code</b>	BC	<b>LA6001BUGBC</b>
	ES	<b>LA6001BUGES</b>



### Main applications

Specially turned colour filter so that light is less attractive to insects



BAYONET B22 (BC)

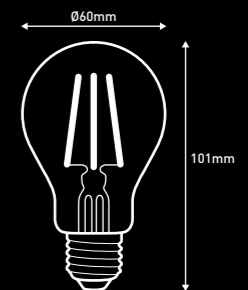
EDISON E27 (ES)

# A60 FILAMENT LED GLOBES (3.7W)

Add a touch of modern industrial to restaurants and bars with our filament globes. Or create that café atmosphere in your home by placing these above your kitchen bench. Great on their own, or complimented with a caged or clear glass shade, giving the perfect warm ambiance.



<b>Power</b>	3.7W	
<b>Lumen output</b>	Warm White	500 lm
<b>Efficacy</b>	Warm White	135 lm/W
<b>Colour temperature</b>	Warm White	3,000K
<b>CRI</b>	80+	
<b>Lifespan</b>	10,000 h	
<b>Base</b>	Bayonet B22   Edison E27	
<b>Package contents</b>	A60 filament LED Globe 3.7W mounted with Bayonet B22 or Edison E27 base	
<b>Product code</b>	Warm White BC	<b>LA6001FILBC</b>
	Warm White ES	<b>LA6001FILES</b>



### TIP

Ideal for pendants and chandeliers



BAYONET B22 (BC)

EDISON E27 (ES)

# CANDLE LED GLOBES (5W)

Ideal for mood lighting especially in pendant lights or exposed fixtures like chandeliers.

UP TO **560** LUMENS

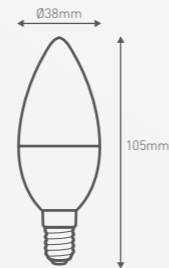
EDISON E14



3 YEAR WARRANTY

<b>Power</b>		5W
<b>Lumen output</b>	Warm White	560 lm
<b>Efficacy</b>	Warm White	112 lm/W
<b>Colour temperature</b>	Warm White	3,000K
<b>CRI</b>	80+	
<b>Base</b>	Edison Screw E14	
<b>Package contents</b>	Candle 5W mounted with Edison E14 Base	
<b>Product code</b>	5W Warm White SES	LCA023KSES

BEAM ANGLE 180°



EDISON E14 (SES)

**Main applications**

Chandeliers, table lamps and various luminaires

# G45 LED GLOBES (4W)


NEW

The G45 globe fits a standard Australian bayonet (B22) or screw-in (E27) light fitting so it is great to use where a normal size globe won't fit. It's ideal for a wide variety of lighting décors; from café and restaurant interiors to home or office decor lighting.

UP TO **420** LUMENS

MAXIMUM EFFICACY UP TO 105lm/W

B22 + E27 OPTIONS



3 YEAR WARRANTY

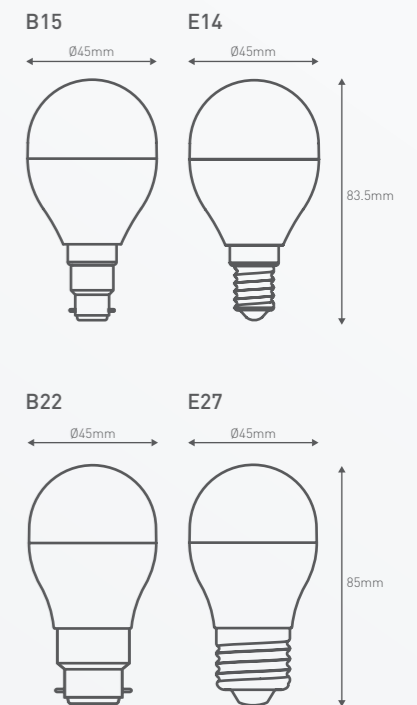
<b>Power</b>		4W
<b>Lumen output</b>	Warm White	420 lm
<b>Efficacy</b>	Warm White	105 lm/W
<b>Colour temperature</b>	Warm White	3,000K
<b>CRI</b>	80+	
<b>Lifespan</b>	25,000 h	
<b>Base</b>	Bayonet B15/B22 Edison E14/E27	
<b>Package contents</b>	G45 LED Globe 4W, mounted with Bayonet B15/B22 or Edison E14/E27 base	

**Product code**

**4W Globes Bayonet**  
Warm White B15 **LG45013KSBC**  
Warm White B22 **LG45013KBC**

**4W Globes Edison**  
Warm White E14 **LG45013KSES**  
Warm White E27 **LG45013KES**

BEAM ANGLE 150°



EDISON E14 (ES)

BAYONET B15 (BC)

# PAR38 LED GLOBE (14W)

Update your existing floodlights with the latest in energy-saving PAR 38 globes. These beauties beam 1,100 glorious lumens from a tidy 14W and have a potential lifespan of 30,000 hours.



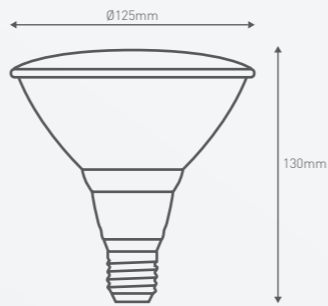
EDISON E27



3 YEAR WARRANTY

<b>Power</b>	14W	
<b>Lumen output</b>	Warm White	1,100 lm
<b>Efficacy</b>	Warm White	78 lm/W
<b>Colour temperature</b>	Warm White	3,000K
<b>CRI</b>	80+	
<b>Lifespan</b>	30,000 h	
<b>Base</b>	Edison E27	
<b>Package contents</b>	PAR38 Globe 14W mounted with Edison E27 base	
<b>Product code</b>	Warm White ES	<b>LPAR38013K</b>

BEAM ANGLE 120°



EDISON E27 (ES)

# PAR38 LED GLOBE (8W)

NEW

...And now in matt black finish



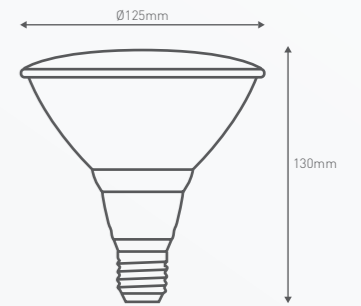
EDISON E27



3 YEAR WARRANTY

<b>Power</b>	8W	
<b>Lumen output</b>	Cool White	800 lm
<b>Efficacy</b>	Cool White	100 lm/W
<b>Colour temperature</b>	Cool White	4,000K
<b>CRI</b>	80+	
<b>Lifespan</b>	30,000 h	
<b>Base</b>	Edison E27	
<b>Package contents</b>	PAR38 Globe 8W mounted with Edison E27 base	
<b>Product code</b>	Cool White ES	<b>LPAR38024KES</b>

BEAM ANGLE 110°



EDISON E27 (ES)

# GU10 LED GLOBES (5W)

This globe is an ideal upgrade of existing GU10 halogen downlights with a low 5W power consumption.

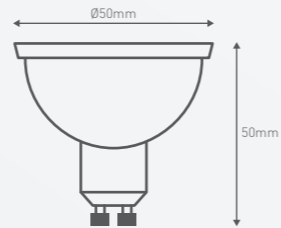
UP TO  
**500**  
LUMENS

MAXIMUM EFFICIENCY  
UP TO 100lm/W

**3 YEAR**  
WARRANTY

<b>Power</b>	5W	
<b>Lumen output</b>	Warm White	460 lm
	Cool White	500 lm
<b>Efficacy</b>	Warm White	92 lm/W
	Cool White	100 lm/W
<b>Colour temperature</b>	Warm White	3,000K
	Cool White	4,000K
<b>CRI</b>	80+	
<b>Lifespan</b>	15,000 h	
<b>Base</b>	GU10	
<b>Package contents</b>	5W LED Globe with GU10 base	
<b>Product code</b>	<b>5W LED Globes</b>	
	Warm White	<b>LGU10013K</b>
	Cool White	<b>LGU10014K</b>

**BEAM**  
**ANGLE 65°**



#### Main applications

Perfect upgrade of existing GU10 halogen fixtures

# MAGNETIC TRANSFORMER

**NEW**

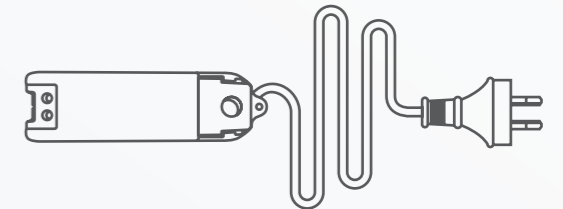


SUITABLE  
FOR MR16  
LAMPS/  
DOWNLIGHTS



**3 YEAR**  
WARRANTY

<b>Input voltage</b>	220-240V a.c.	
<b>Input power</b>	Full load	21W
	No load	0.5W
<b>Output power</b>	Full load	12V a.c. 15VA
	No load	16V a.c.
<b>Package contents</b>	Transformer with 1.8m flex lead and plug	
<b>Product code</b>	<b>LMT0115W</b>	



#### TIP

Significantly reduces the possibility of flashing and flickering of MR16 LED lamps





A brand of **legrand**



Member of:



Disclaimer: The information provided in this document is intended for informational purposes only has been prepared and reviewed with all reasonable care, believed to be correct at the time of printing. Legrand Australia and New Zealand may also make improvements and/or changes in the products, pricing and/or programs described in this information at any time without notice.

**Legrand Australia**

Building 4, Nexus Industry Park  
43-47 Lyn Pde Prestons NSW 2170  
1300 369 777  
[www.hpm.com.au](http://www.hpm.com.au)

**Legrand New Zealand**

106-124 Target Road Glenfield  
Auckland 0627 New Zealand  
0800 476 009  
[www.hpm.co.nz](http://www.hpm.co.nz)