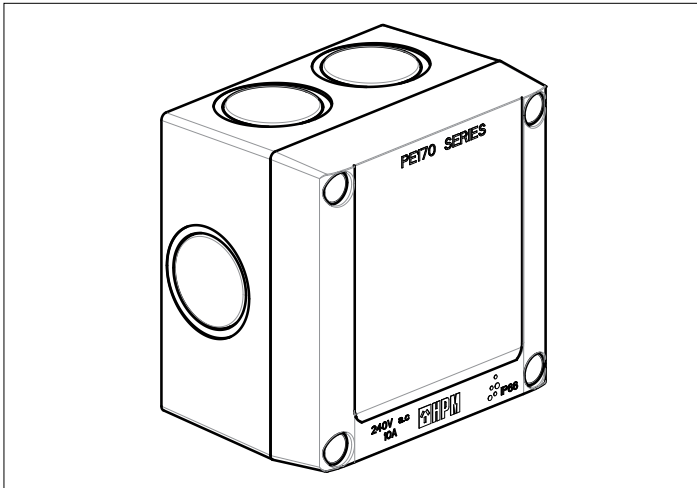




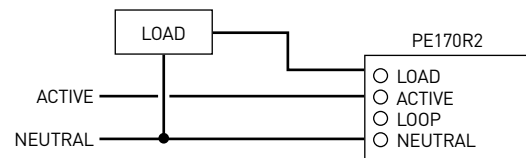
Weatherproof Photoelectric Switch With Timer

Cat. PE170R2

Instruction Sheet



Wiring



Operation

- Load turns on at sunset (when the ambient light drops below a certain level). The exact level at which this occurs can be set by the user (see "Lux Setting").
- Load turns off at a pre-determined time that can be set by the user (see "Off Time Setting").

Technical characteristics

Weatherproof rating: IP66

<p>+ 50°C + 0°C 230 - 240V a.c. 50Hz</p>	<p>3 x 2.5mm²</p>	<p>Incandescent or halogen</p>	<p>High intensity discharge</p>	<p>Fluorescent tube</p>	<p>Wirewound transformer</p>	<p>Electronic transformer</p>	<p>Compact fluorescent</p>	<p>LED</p>
Max load		2400W	500VA	1500VA	1500VA	1000W	1000VA	1000W

Minimum load: 5W

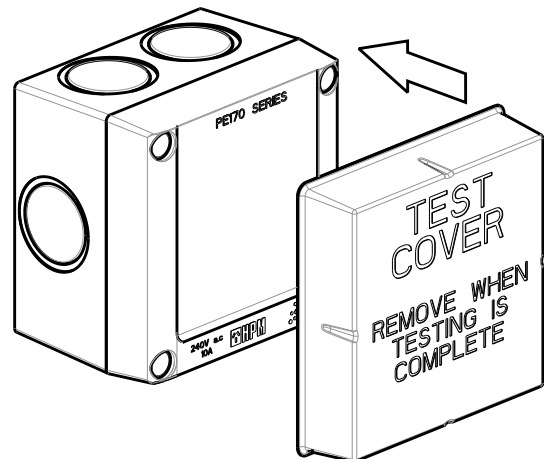
Installation

- Mount the unit on a wall in an open position, preferably facing south to avoid direct sunshine and enhance service life.
- Don't mount unit in dark recesses where the natural change in daylight does not directly influence the photo electric sensor.
- Don't mount indoors – light through windows may not be the correct level for the photo electric sensor and the unit may not turn on and off as intended.
- Don't mount where other lights may shine on the photo electric sensor, as the unit may not turn on.
- Don't mount where the lights being controlled can shine on the photo electric sensor, as it may cause the unit to cycle on and off repeatedly.

Important

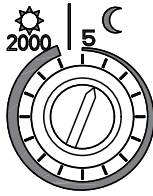
- When the power is first applied to the unit, the load will turn on for approximately 30 seconds and then turn off.
- The unit has a time delay circuit so that it is not affected by sudden or brief changes in light level caused by intermittent cloud cover, reflections or vehicle lights. This time delay lasts for up to 3 minutes, both when switching on and when switching off. When testing the unit, be sure to take this time delay into account.

Testing the Unit

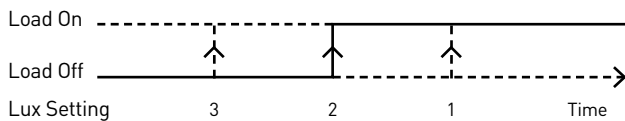


- In daylight, cover the translucent front cover with the test cover provided.
- Wait for up to 3 minutes. The load should switch on.
- Remove the test cover.
- Wait for up to 3 minutes. The load should switch off.

Lux Setting



- This dial is used to set the ambient light level which will trigger the load to turn on at sunset.
- There are 16 settings. The lowest setting represents a light level of approximately 5 lux (twilight), and the highest setting represents a light level of approximately 2000 lux (overcast).
- The higher the lux level setting, the earlier the turn-on time will be (as shown in the diagram below).
- The recommended setting for most applications is the second lowest setting (as shown in the diagram above).



General Information

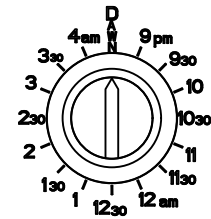
- This product must be installed and used as per these instructions.
- This product must be installed by a licensed electrician.
- Do not megger this product.
- This product must only be used with the loads specified. Other load types should only be used when written confirmation is given by HPM Legrand.
- An IP rating of IP66 is generally considered suitable for fully exposed external installations and for areas subject to hose down.
- The IP rating of this product is only valid when all applicable seals, glands and their appropriate cables are installed correctly. Silicone sealant or PVC cement should be used where necessary. Flush caps must be used to cover mounting screws.
- The IP rating of this product is only valid when installed on flat and non-porous surfaces. Additional sealing may be required for irregular surfaces.
- A minimum load of 5W is to be applied for PE170R2 to operate
- Severe electromagnetic interference from other products may cause malfunction of this product.
- This product should only be cleaned with a damp cloth. Cleaning agents and solvents should not be used.
- This product contains no serviceable parts and no attempt should be made to repair this product. If the product is faulty it should be discarded.
- HPM Legrand reserves the right to modify the specifications of this product at any time.

Warranty

HPM Legrand will honour all statutory guarantees that you as a consumer are entitled to rely upon under the Australian and New Zealand Consumer Law against a manufacturer including a guarantee that any products HPM Legrand has manufactured or imported are of acceptable quality.

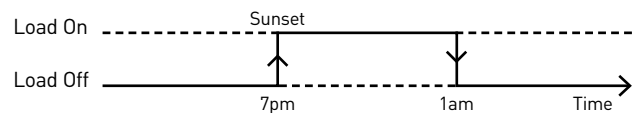
To make a claim under any statutory guarantee (or other warranty) you should first contact the supplier, contractor or retailer from whom you purchased the products.

Off Time Setting

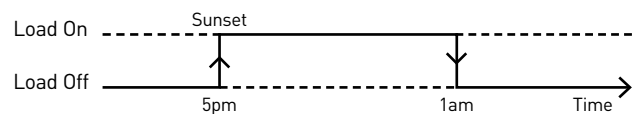


- This dial is used to set the time at which the load turns off.
- The PE170R2 contains a special circuit which maintains a consistent turn-off time all year round, regardless of whether it is summer or winter.
- The example in the diagram below shows the off time set to 1:00am. In summer, dusk occurs at 7:00pm so the load is on for 6 hours. In winter, dusk occurs at 5:00pm so the load is on for 8 hours.
- The off time can be set to be between 9:00pm and 4:00am in 30 minute increments. Note that these times are approximate only, as sunset and sunrise times can vary depending on latitude and longitude. Also during daylight saving time, the turn-off time will be one hour later than the setting on the dial.
- There is also a "Dawn" setting, which means that the load will stay on all night and turn off at sunrise (when the ambient light rises above a certain level). This level corresponds to the turn-on level which is set by the "Lux Setting" dial – however the turn-off level is slightly higher to prevent cycling of the load at sunset or sunrise.

Summer:



Winter:



Important

- On the first night after power is applied, the PE170R2 needs to measure the sunset and sunrise times in order to determine the correct turn-off time. Therefore, on this first night the load may not turn off at the time set on the dial, but rather may stay on all night until the measurements are complete. This is normal. On the second night, the load will turn off at the desired time.

Customer Service

For all Customer Service and Technical Support please call Monday to Friday during business hours.

HPM Legrand Australia
1300 369 777
www.hpm.com.au

HPM Legrand New Zealand
0800 476 009
www.hpm.co.nz

ABN: 31 000 102 661

A Group Brand | **legrand**