

# Datasheet

## SIKA LED Floodlight with Sensor

CAT NO. LSS0112WBL



<b>Cat No.</b>	<b>LSS0112WBL</b>
<b>Description</b>	SIKA LED Floodlight with Sensor
<b>Construction</b>	Die cast aluminium body
<b>Supply voltage</b>	230-240V a.c. 50Hz
<b>Colour</b>	Black
<b>Power output</b>	12W
<b>Lumens output</b>	1070lm
<b>Sensor detection method</b>	Passive infrared (PIR)
<b>Detection range</b>	From 1m up to 12m
<b>Manual override</b>	Yes
<b>Detection angle</b>	12m (max), 180° scan
<b>Time-delay adjustment</b>	(10±5) sec to (4±1) min
<b>Lamp swiveling angle</b>	Vertical 180°
<b>Sensor horizontal swivelling angle</b>	180°
<b>Sensor vertical swivelling angle</b>	130°
<b>Lifespan</b>	15,000h*
<b>Light colour</b>	Cool White 4,000K Nominal
<b>CRI</b>	80+
<b>Operating temperature</b>	-10°C to 50°C
<b>Lamp swivelling angle</b>	130° Vertical, 180° Horizontal
<b>Recommended mounting height</b>	>2m wall mount only
<b>Protection class</b>	Class 1
<b>IP Rating</b>	IP44
<b>Weight</b>	0.7kg
<b>Dimension</b>	240 x 120 x 180 mm
<b>Warranty</b>	3 years

# SIKA LED Floodlight with Sensor

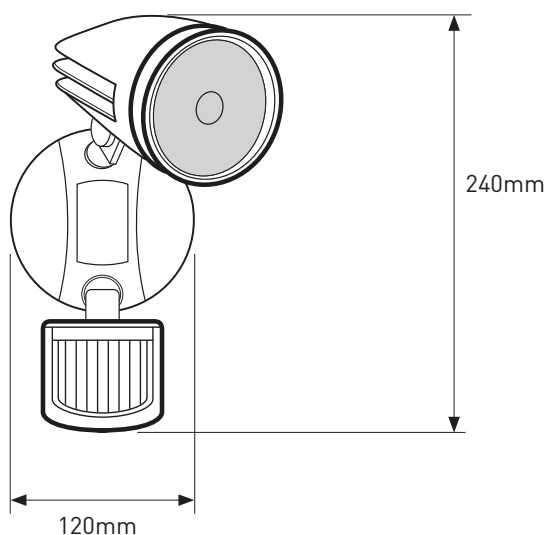
CAT NO. **LSS0112WBL**



- 12W ideal for small areas
- Die cast aluminium construction
- PIR sensor with:
  - Adjustable detection range from 1 to 12 m using sensitivity knob
  - Adjustable time delay from 10 sec to 4 min
  - Adjustable lux activation from 20 lux to daylight
  - Sensor can be automatic or manual override
  - Up to 180° detection angle
- 15,000 hours lifespan
- 180° vertical adjustable LED light
- 130° vertical and 180° horizontal adjustable sensor
- IP44 weatherproof rating
- 3 years warranty

Single product			
Cat No	Dimensions	Weight	Barcode
LSS0112WBL	175 x 125 x 200 mm	0.8Kg	9321001441298

Outer box (Qty 6)			
Cat No	Dimensions	Weight	Barcode
LSS0112WBL	395 x 368 x 220 mm	5.5Kg	9321001441458



HPM Legrand - AUS  
 1300 369 777  
[www.hpm.com.au](http://www.hpm.com.au)  
 ABN 31 000 102 661

HPM Legrand - NZ  
 0800 476 009  
[www.hpm.co.nz](http://www.hpm.co.nz)

Refer to your group buying office, HPM Legrand Sales Representative or HPM Legrand Sales Office for pricing.

Please note: specifications are subject to change without prior notice.