

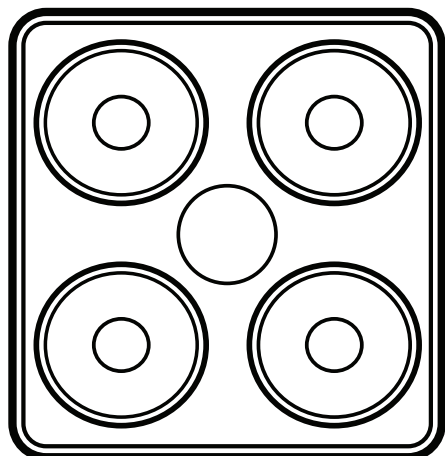


A brand of **legrand**

## Instant Heat 4 Ducted with LED Light

### Instruction Manual

Cat. No. BHD6224LWE



**Please read carefully:** Read through these instructions completely before commencing installation. Retain for future use. This product should be installed by a licensed electrical contractor or similarly qualified person.

## 1 Specifications

Cat. No.	BHD6224LWE
Supply Voltage	230-240 V a.c. 50 Hz
Power Rating	1240 W max.
Fan Airflow	135 m <sup>3</sup> /h, 38 l/s (with 3 m Horizontal Ducting) 189 m <sup>3</sup> /h, 53 l/s (No Ducting)
Motor Power Rating	30 W Max.
Protection Class	Class I
Ducting Size	Ø100 mm
Projection into Ceiling	240 mm
Required Ceiling Depth	260 mm min.
Ceiling Cut-out Size	300 x 300 mm
Protrusion from Ceiling	80 mm
Heat Lamps	4 X 275 W E27
Light Lamps	1 X 7 W LED (Supplied), Max. rating 100 W Halogen
Sound pressure level at 3 m	38 dBA (Tested in accordance with AS 1217.5 :1985)
Draft Stopper	Yes (Built in)
Kit Content	3 m X Ø 100 mm duct, External grille, Duct tape and Cable tie

## 2 Installation

The infrared lamps heat by direct radiation rather than by heating the air in the room. So the Instant Heat 4 ducted should be located directly over the drying area. HPM Instant Heat 4 ducted must not be installed where there is a possibility of water splashing onto the lamps. Locate in accordance with the requirements of Wiring Rules AS/NZS 3000 relating to damp situations. This means that no part of the Instant Heat 4 may be located directly above any part of the bath or shower recess or enclosure. For unenclosed showers refer to Wiring Rules conditions.

**Note:** Steam will only be removed if there is sufficient flow of air through the room. Ensure adequate inlets exist through windows, vents or under the door. The airflow path from inlets to fan should ideally pass over the steam sources. See over – 'Getting the most from your Instant Heat 4 Ducted'. Regulations concerning the discharge of air have to be fulfilled. Care should be taken that airflow throughout meets specific requirements in building regulations. Local building codes may require venting to the outside. Ducting must be fitted and vented to the outside using the exterior grille provided as shown in Fig.1 and Fig.2.

To duct to the outside connect the duct onto the outlet side of the exhaust fan. After installing the outlet grille to your eaves wall, connect the flexible duct (max 3m cut if necessary, remember to avoid bends etc) and affix using the duct tape provided.

Standard roof application

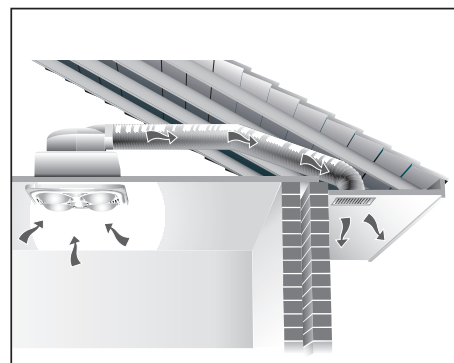


Fig.1

Multi-storey application

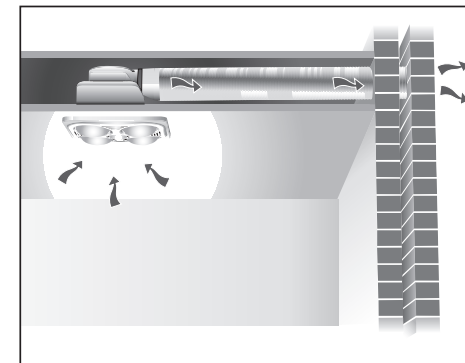


Fig.2

## 3 Location

The Instant Heat is for ceiling mounting only, with the lowest point to be at least 2.2 metres above floor level. It is not intended to be installed in wardrobes or within 300mm of sides of walls, as per Fig 3. There is a danger of combustion, if placed too close to curtains or other flammable materials.

Additional Instant Heats may only be installed if at least 1.2m clearance between them is observed.

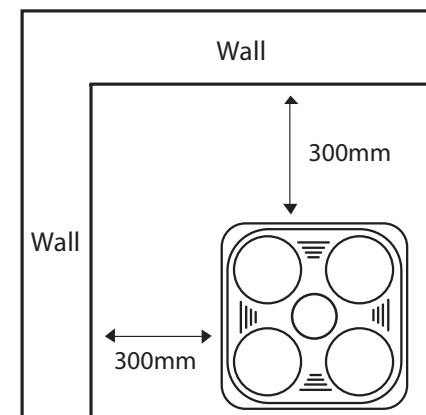


Fig.3

## 4 Ceiling installation preparation

Instant Heat 4 may be installed in the ceiling cavity between joists using the built-in clip fasteners. Correct installation requires the cavity to have a minimum height of 260mm for safe operation. The clearances between Instant Heat and surrounding joists and above ceiling shown in Fig. 4 and 5 shall be observed. Thermal insulation or similar material shall not be placed on top of the Instant Heat, and adjacent material to the side shall be kept clear to a minimum distance of 300mm. Joists, beams and rafters shall not be cut or notched to install Instant Heat.

After determining the location of the Instant Heat 4 Ducted use this card as a template to mark out and cut an opening 300mm x 300mm as per Fig.6. If adequate support is not available for the instant heat, it may be necessary to provide extra strengthening.

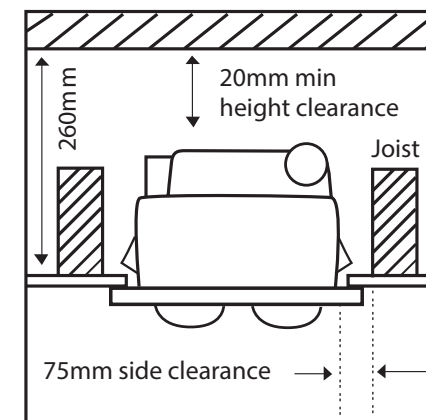


Fig.4

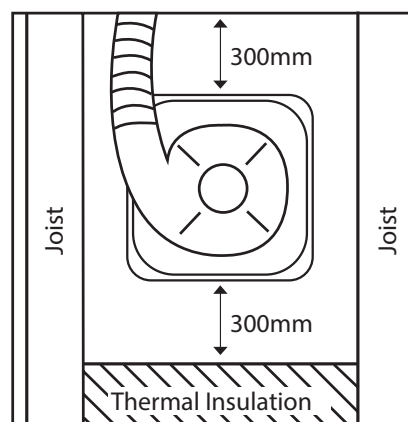


Fig.5

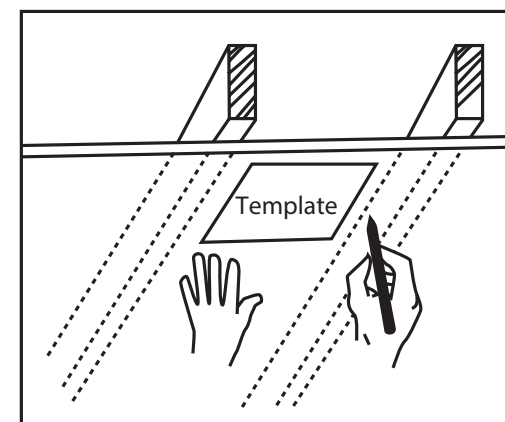


Fig.6

## 5 Fixing to ceiling

Remove all lamps. Check the fan for freedom of rotation. Push the Instant Heat 4 Ducted body into the opening allowing the springs to snap open. To secure, push the lower ends of the springs apart (Fig.6).

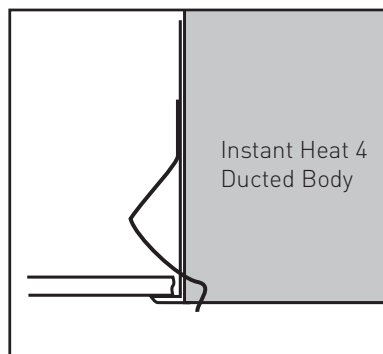


Fig.7

## 6 Final assembly

Check that the power to the unit is off. Position the lamp cover on the unit with four springs inside. Insert the lamps into the sockets, tightening well to ensure good electrical contact and long life. Wipe the surround and the bulbs clean. Connect the power and check all functions.

## 7 Wiring

Three switches on an Excel wall plate are supplied. Snap the switches into the plate.

Do not use with any solid state speed control. The wall plate should be located so that the switches are not within reach of a person in a bath or shower. Wiring connection is as per Fig.8.

This product must be installed by a licensed electrical contractor or similarly qualified person. For information on switch locations, refer to Wiring Rules AS/NZS 3000.

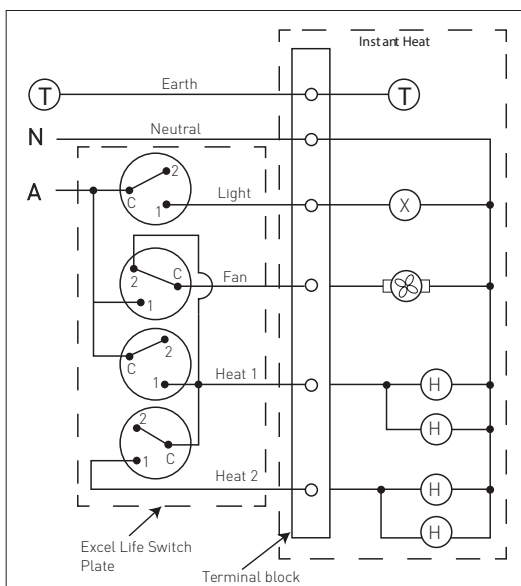


Fig.8 Wiring diagram

**CAUTION:** Warranty will be void if the instant heat unit is not wired as per wiring diagram (Fig. 8)

## 8 Cleaning

Isolate the Instant Heat from the 240V supply. Ensure the lamps are cool to touch before handling. Wipe lamps and fascia with care using soft cloth with a neutral detergent.

## 9 Replacement Parts

Heat Lamp: L275HLES

Light Lamp: LR80014K (7W LED) or 100 W max. Halogen

Switch Wall Plate: ED770/4FLHWE

Replacement of any lamp other than that specified above may cause damage to the product and void the warranty.

## 10 Getting the most from your Instant Heat 4 Ducted

**Heat Lamps:** The HPM Instant Heat lamps have no warm-up period because the infrared lamps provide instantaneous heat, and are designed to heat you and not the bathroom – that's the efficient way infrared heat works. To get the full benefit of Instant Heat's infrared warmth, stand directly under the heat lamps. HPM's clear heat lamps have been designed specifically for this application, and concentrate their heat for maximum effectiveness.

**WARNING:** Do not look directly into bulbs when in use.

Make sure you have the Instant Heat model that suits your bathroom ceiling height. The Instant Heat 4 Ducted is manufactured to offer peak performance with bathroom ceiling heights up to 2.4m (8 ft). *N.B. The Instant Heat 4 is not a tanning lamp.*

**Ventilation:** To ensure optimum performance of the ducted exhaust fan, it is essential that you provide a generous airflow into your bathroom to help Instant Heat's powerful and efficient exhaust fan to quickly suck out steam while you shower. Your Instant Heat 4 Ducted works by drawing steam-laden air from the room and as with all exhaust fans, it is essential that sufficient air inlets are provided. Ensure adequate inlets exist through windows, vents or under the door. The airflow path from inlet to fan should ideally pass over the steam source.

**Centre light:** The centre 100 watt light in this Instant Heat model is designed to provide general illumination in your bathroom. For specific tasks like shaving or putting on make-up, you may need extra lighting to suit individual needs. The heat lamps can also be used to provide additional bright illumination for your bathroom. Lighter coloured walls and decor also help brighten your bathroom by reflecting more light.

## 11 Product Notes

- This product must be installed and used as per these instructions.
- A switch disconnection must be incorporated in the fixed wiring in accordance with the Wiring Rules.
- This product is not intended for use by persons (including children) with reduced physical, sensory or mental capabilities, or lack of experience and knowledge, unless they have been given supervision or instruction concerning use of the appliance by a person responsible for their safety. Children should be supervised to ensure that they do not play with the appliance.
- This product is intended for household use and similar purposes. It is not suitable for use in an environment heavily laden with dust. Under these conditions the life of the fan motor can be significantly reduced.
- WARNING:** The Instant Heat is not equipped with a thermostat to control the room temperature. Do not use the Instant Heat in small rooms when they are occupied by persons not capable of leaving the room on their own unless constant supervision is provided.
- This product should not be enclosed in thermal insulation as it may cause the unit to overheat.
- This product has been designed to operate in ambient temperatures 0°C to 40°C.
- This product contains no serviceable parts and no attempt should be made to repair it. If the product is faulty it should be discarded.
- Airflows listed in this product indicate the product performance. Refer to the BCA (Building Code of Australia), or similar, for the appropriate airflow required for a particular installation.
- Ventilation products must have an adequate source of external air to ensure correct performance.
- Consideration must be taken in the installation of ducts to ensure that condensation that will form in the duct will not run back into the fan housing.
- Precautions must be taken to avoid the back-flow of gases into the room from the open flue of gas or other fuel-burning appliances.
- This product has been designed for domestic or similar uses and is not suitable for a commercial installation.
- This product is not suitable for installation in hazardous and/or corrosive areas.
- Extended exposure to UV rays (such as exposure to direct sunlight) may cause discolouration of this product.
- The material in this product may vary in colour from batch to batch. Colour matching from one batch to another cannot be guaranteed.
- This product utilises intellectual property in the form of registered designs, trademarks, and/or patents. Such intellectual property remains the property of Legrand in all cases.
- Legrand reserves the right to modify the specification of this product at any time.

### Warranty

Legrand Australia Pty Ltd warrants this product from the date of purchase:

- 3 years on materials and workmanship
- 2 years on infrared heat lamps and centre light

These goods come with guarantees that cannot be excluded under the Australian and New Zealand Consumer Laws. You are entitled to a replacement or a refund for a major failure and compensation for any other reasonably foreseeable loss or damage. You are also entitled to have the goods repaired or replaced if the goods fail to be of acceptable quality and the failure does not amount to a major failure.

See the Warranty card enclosed with this product for further details.

### Customer Service

For all Customer Service and Technical Support please call Monday to Friday during business hours.

Legrand Australia  
1300 369 777  
www.hpm.com.au

Legrand New Zealand  
0800 476 009  
www.hpm.co.nz

ABN: 31 000 102 661

