

9 Instructions when installing an extended downrod

1. Loosen lower canopy and slide up downrod.
2. Disconnect the quick connector (which connects the downrod to the motor assembly).
3. Remove split pin and downrod securing screw.
4. Remove existing downrod from motor assembly.
5. Remove upper and lower canopies from existing downrod.
6. Assemble upper and lower canopies onto the new / extended downrod.
7. Install extended downrod onto motor assembly.
8. Tighten downrod securing screw and ensure split pin is replaced.
9. Connect the quick connector (from downrod) to motor assembly. Ceiling fan and downrod must be earthed.
10. Set lower canopy in place and tighten onto downrod.

10 Disclaimers

1. This product must be installed by a licensed electrician and used as per these instructions.
2. This product contains no serviceable parts and no attempt should be made to repair this product. If the product is faulty it should be discarded.
3. This product must be cleaned periodically from dust and other contaminants with a damp cloth. Cleaning agents and solvents should never be used.
4. This product has been designed to operate in ambient temperatures between 5°C to 40°C.
5. This product must be securely attached to a structural member for support.
6. During installation the mains supply wiring terminals should be tightened between 0.4Nm and 0.6Nm. Over-tightening may damage the terminal. Under-tightening may result in hot joints.
7. This product is not intended to be exposed to direct weathering. It is not suitable for installation in hazardous and/or corrosive areas.
8. This product is not intended for use by young children or infirm persons without supervision. Young children should be supervised to ensure that they do not play with the appliance.
9. Only those accessories as supplied by HPM Legrand are designed for operation with the fan.
10. Extended exposure to UV rays (such as exposure to direct sunlight) may cause discolouration of this product.
11. The material in this product may vary in colour from batch to batch. Colour matching from one batch to another cannot be guaranteed.
12. This product has been designed to operate on a nominal supply voltage of 230V -240Va.c. ± 6%.
13. After installation this product must be tested as required by the appropriate government and/or statutory regulations.
14. This product utilises intellectual property in the form of registered designs, trademarks, and/or patents. Such intellectual property remains the property of HPM Legrand in all cases.
15. HPM Legrand reserves the right to modify the specification of this product at any time.

| Ceiling Sweep Fans | |
|--------------------|---|
| CF9JWE | Ceiling sweep fan, 900mm, White, J-hook |
| CF9HWE | Ceiling sweep fan, 900mm, White, Hang-sure |
| CF9JBS | Ceiling sweep fan, 900mm, Brushed Stainless Steel, J-hook |
| CF9HBS | Ceiling sweep fan, 900mm, Brushed Stainless Steel, Hang-sure |
| CF12JWE | Ceiling sweep fan, 1200mm, White, J-hook |
| CF12HWE | Ceiling sweep fan, 1200mm, White, Hang-sure |
| CF12JBS | Ceiling sweep fan, 1200mm, Brushed Stainless Steel, J-hook |
| CF12HBS | Ceiling sweep fan, 1200mm, Brushed Stainless Steel, Hang-sure |
| CF12J304 | Ceiling sweep fan, 1200mm, 304 Stainless Steel, J-hook |
| CF12H304 | Ceiling sweep fan, 1200mm, 304 Stainless Steel, Hang-sure |
| CF12J316L | Ceiling sweep fan, 1200mm, 316L Marine Grade Stainless Steel, J-hook |
| CF12H316L | Ceiling sweep fan, 1200mm, 316L Marine Grade Stainless Steel, Hang-sure |
| CF14JWE | Ceiling sweep fan, 1400mm, White, J-hook |
| CF14HWE | Ceiling sweep fan, 1400mm, White, Hang-sure |
| CF14JBS | Ceiling sweep fan, 1400mm, Brushed Stainless Steel, J-hook |
| CF14HBS | Ceiling sweep fan, 1400mm, Brushed Stainless Steel, Hang-sure |
| CF14J304 | Ceiling sweep fan, 1400mm, 304 Stainless Steel, J-hook |
| CF14H304 | Ceiling sweep fan, 1400mm, 304 Stainless Steel, Hang-sure |
| CF14J316L | Ceiling sweep fan, 1400mm, 316L Marine Grade Stainless Steel, J-hook |
| CF14H316L | Ceiling sweep fan, 1400mm, 316L Marine Grade Stainless Steel, Hang-sure |
| CF13HAW | Ceiling sweep fan, 1300mm, Rattan White, Hang-sure |
| CF12J4WE | Ceiling sweep fan, 1200mm, White, J-hook, 4-blade |
| CF12H4WE | Ceiling sweep fan, 1200mm, White, Hang-sure, 4-blade |
| CF14J4WE | Ceiling sweep fan, 1400mm, White, J-hook, 4-blade |
| CF14H4WE | Ceiling sweep fan, 1400mm, White, Hang-sure, 4-blade |

| Light Kits | |
|-------------|--|
| CFOLWE | Oyster light kit, White |
| CFOLBS | Oyster light kit, Brushed Stainless Steel |
| CFCLWE | Clipper light kit, White |
| CFCLBS | Clipper light kit, Brushed Stainless Steel |
| CFOL316LLED | Oyster light kit 316L, Stainless Steel LED |

| Downrods | |
|-------------|---|
| CFDR750JWE | Downrod 750mm, White, J-hook |
| CFDR750HWE | Downrod 750mm, White, Hang-sure |
| CFDR750JBS | Downrod 750mm, Brushed Stainless Steel, J-hook |
| CFDR750HBS | Downrod 750mm, Brushed Stainless Steel, Hang-sure |
| CFDR1500JWE | Downrod 1500mm, White, J-hook |
| CFDR1500HWE | Downrod 1500mm, White, Hang-sure |

| Remote Control Kits | |
|---------------------|-------------------------------|
| CFREMOTEJ | Remote control kit, J-hook |
| CFREMOTEH | Remote control kit, Hang-sure |

Warranty

HPM Legrand will honour all statutory guarantees that you as a consumer are entitled to rely upon under the Australian Consumer Law against a manufacturer including a guarantee that products are of acceptable quality. To make a claim under any statutory guarantee (or other warranty) you should first contact the supplier, contractor or retailer from whom you purchased the products.


Customer Service

For all Customer Service and Technical Support please call Monday to Friday during business hours.

HPM Legrand Australia
1300 369 777
www.hpmlgrand.com.au

HPM Legrand New Zealand
0800 476 009
www.hpmlgrand.co.nz

ABN: 31 000 102 661

A Group brand 



Ceiling Sweep Fans Instruction Manual 3 & 4-Blade Models



Box contents

- Motor assembly
- 3-speed fan controller
- Mounting bracket
- 3 or 4 blades
- Screw pack
- Instruction sheet

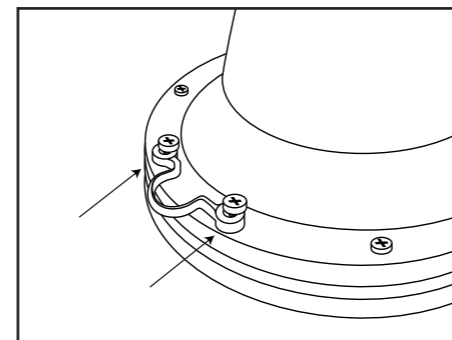
**PLEASE READ ALL INSTRUCTIONS CAREFULLY.
RETAIN FOR FUTURE REFERENCE.
INSTALLATION MUST BE CARRIED OUT
BY A LICENSED ELECTRICAL CONTRACTOR.**

Important considerations

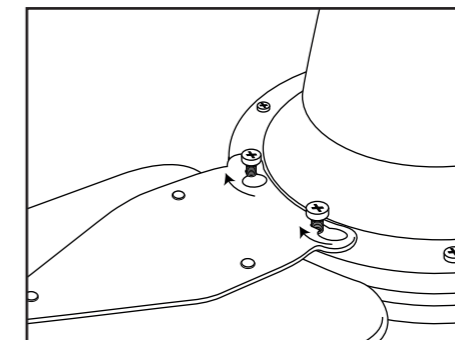
1. The J-Hook mounting style is designed to suit flat ceilings. The Hang-sure style is suitable for both flat and inclined ceilings (up to maximum angle of 20°).
2. This fan has been supplied with a 3 speed fan controller. It is designed to operate a single fan only.
3. The fan is to be installed so that the fan blades are more than 2.1m above floor level. Fan blades should have clearances >300mm from any obstacles.
4. During installation a switch disconnection should be incorporated in the supply circuit.
5. Lamps used in the light kits must not be rated more than 60W (x2).

1 Fix fan blades to motor assembly

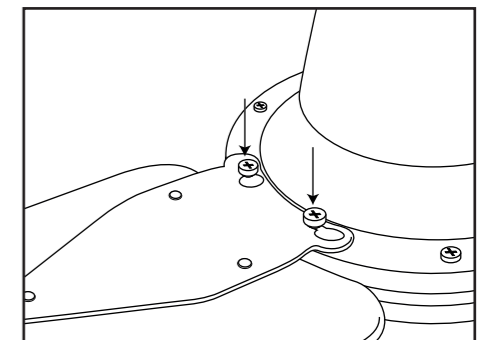
A. Remove plastic spacer.



B. Slide blade over screws.



C. Tighten screws.



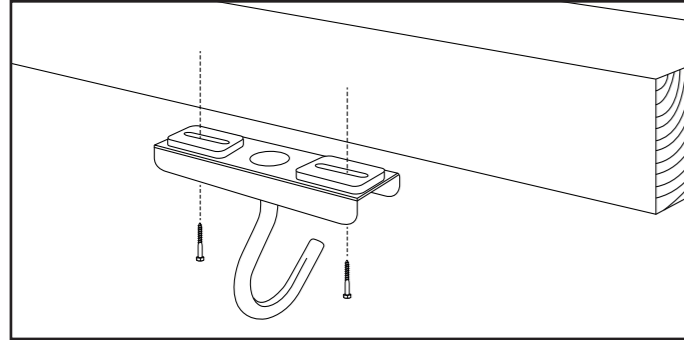
LE06397ACB

2 Fixing of mounting bracket to ceiling

Select a suitable location for the fan. Use the 2 coach screws provided (or similar) to make an attachment to a solid structural member. Ensure the mounting method is capable of supporting a hanging weight of 30kg.

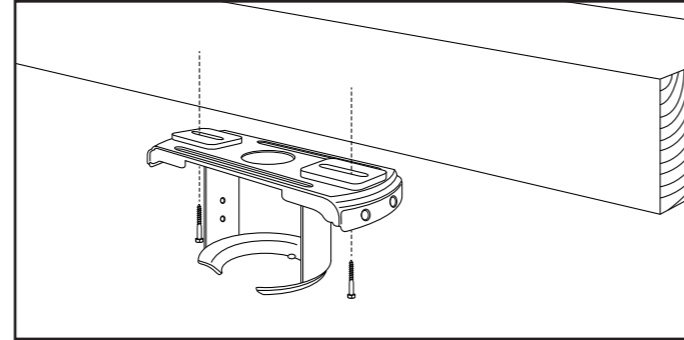
J-Hook Mounting

Fix mounting bracket (supplied) firmly to timber or concrete. Ensure rubber feet are in place before fixing bracket.



Hang-sure Mounting

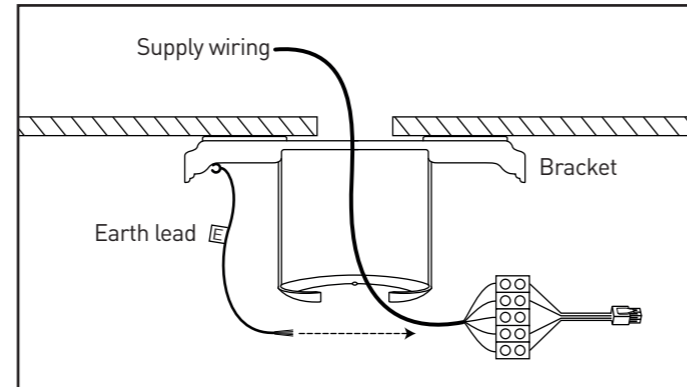
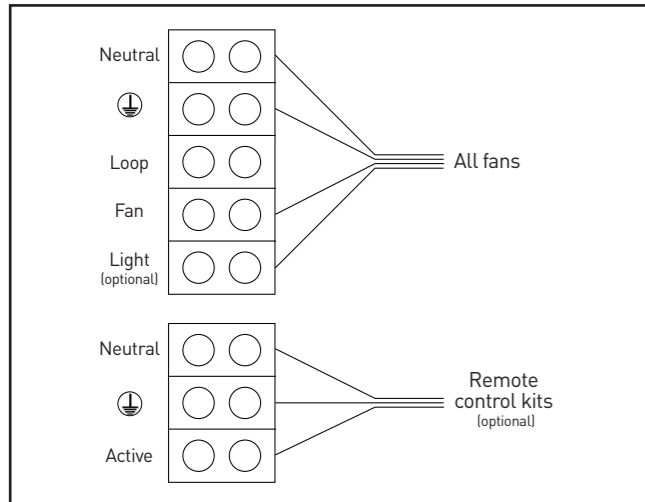
Fix mounting bracket (supplied) firmly to timber or concrete.



3 Supply connection to fan

A. Connect supply wiring to the terminal block provided. If you are not fitting a light kit to the fan, please disregard the light connection.

B. Connect Earth (E) lead of bracket to Protective Earth (⊕) wiring terminal (Hang-sure attachments only).

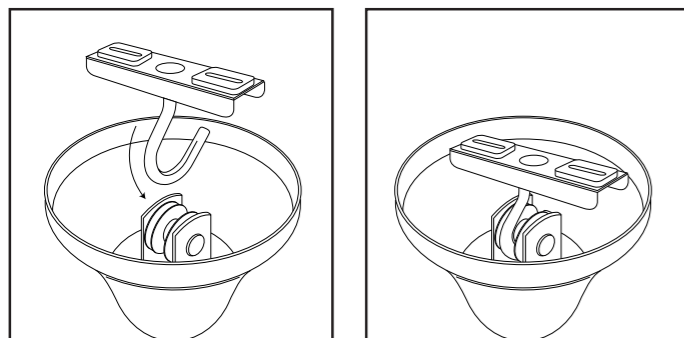


Refer to instructions for Remote Control Kits (CFREMOTEJ and CFREMOTEH) for installation and mounting requirements.

4 Hanging the fan on the bracket

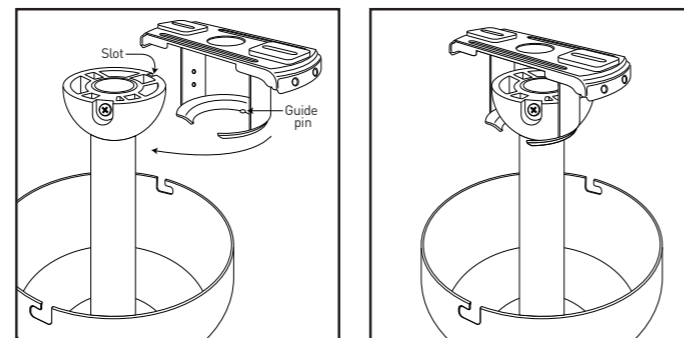
J-Hook Bracket

Hang the fan on the J-Hook. Ensure that all wires are clear of the rubber roller.



Hang-sure Bracket

Hang the fan on the bracket. Ensure bracket guide pin is fitted into slot on ball joint and that all wires are clear of the ball joint.

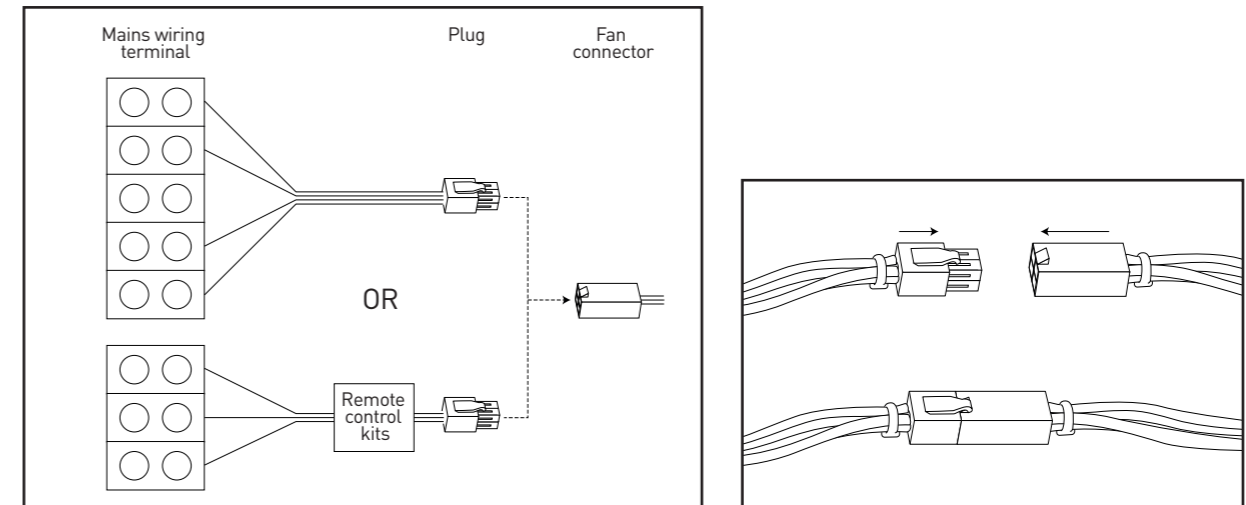


5 Connecting the light kit (optional)

If you are attaching one of the light kits, make the necessary mechanical and electrical connections to the light fitting before completing step 6 below. Refer to the light kit instructions for further information.

6 Connect the quick connectors

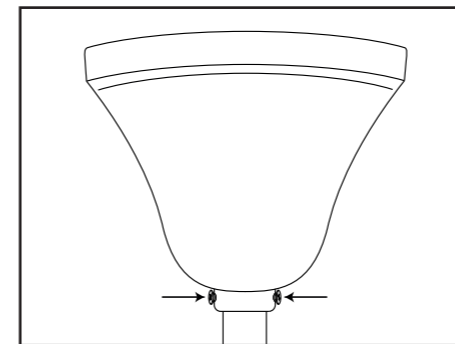
Click the quick connect plug into the socket connector from the fan.



7 Slide upper canopy into position and secure

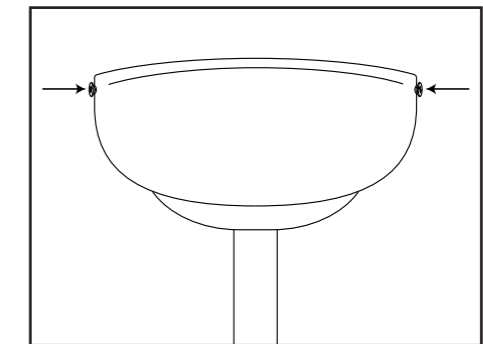
J-Hook Canopy

Tighten with 2 screws to the downrod.



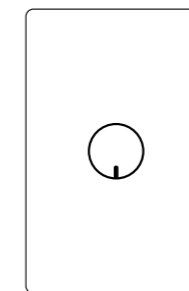
Hang-sure Canopy

Tighten with 2 screws to the bracket.



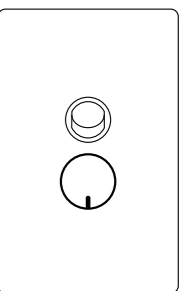
8 Connecting the speed controller

The HPM ceiling sweep fan comes complete with a capacitive 3-speed controller on a wall plate with standard 84mm fixing centres. Please refer to instructions supplied with the speed controller for installation.



Fan only

If installing a light kit then you will require additional components (not supplied):
Excel Life 2-gang grid plate (ED770/2GPLWE)
Excel Life wall switch (EM770WE)



Fan with light

If intending to use a remote control kit (not supplied) then do not mount the wall plate.